

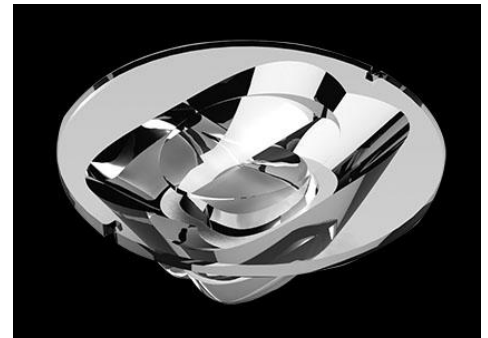


Product Part Number

CKO - CB19 - 045017 - 1830

✓ Model Number Definitions

CKO-XXXX-XXXXXX-XXXX

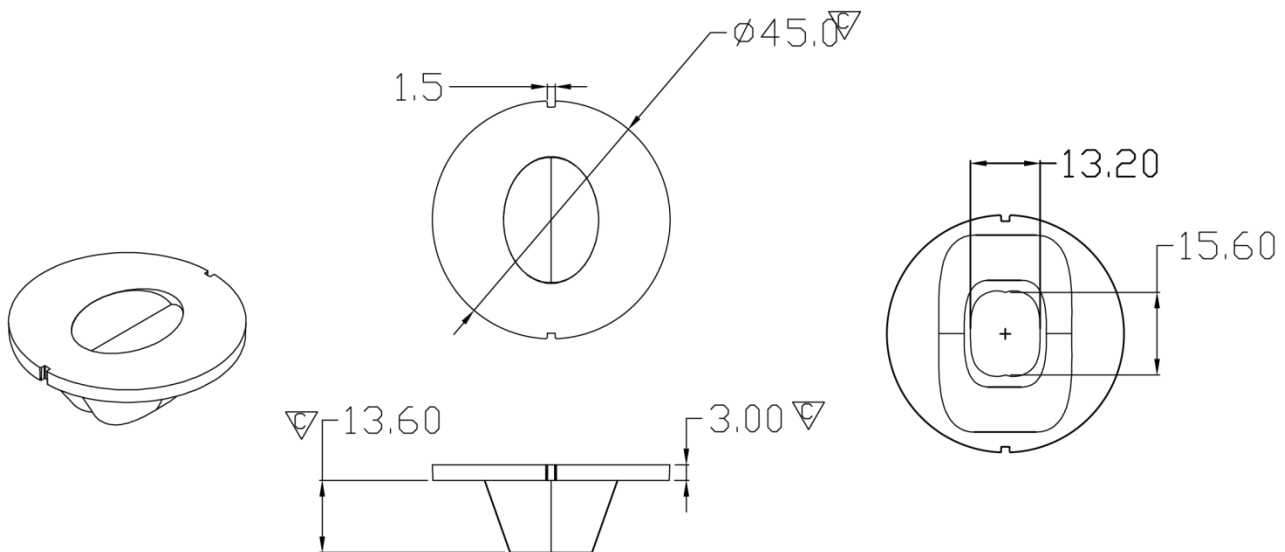


- A. Chun Kuang Optics Corp. Product
- B. Product Type: product abbreviation
Ex:
MX→Multi 33 in 1
SW→Single Wall Washer
CW→Wall Washer for CoB LED
HC→Holder for CoB LED

- C. Identity Code
- D. Lens / Fixture Size
Ex: 075026=Φ75mm / Thickness=26mm (round up)
- E. Serial Numbers

The lens datasheet is applicable for **Philips LED**, that manufactured by Chun Kuang Optics Corp.

✓ Dimensions (mm) : **Φ45x16.6**



▽:Critical Dimension



✓ **Optical Characteristics – Angle Performances**

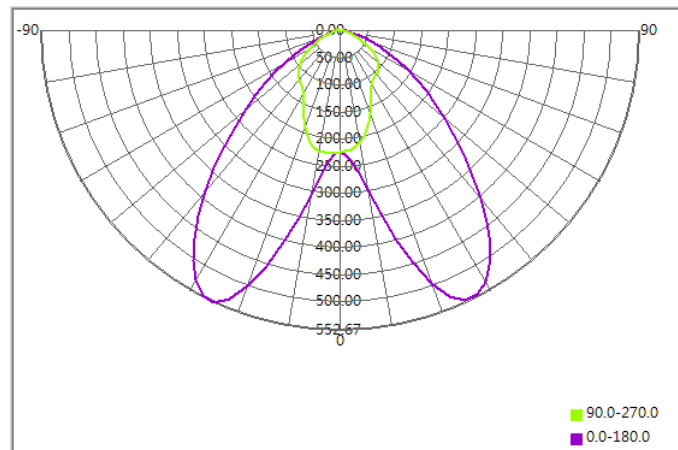
Philips	LED LES (mm)	FWHM (degrees)	H (mm)	Tilt Angle
Fortimo SLM 1203 L09 G6	Φ9	73°x95°	2.5	25°



Optical Characteristics

Part Number	CKO-CB19-045017-1830		<p>"H" definition</p>
LED	Fortimo SLM 1203 L09 G6		
LES / LED Size	Φ 9 mm		
FWHM (D50)	73°x95°		
H (distance)	2.5 mm		
Dimension	Φ =45 mm, Thickness=16.6 mm		
Luminous Flux	1122 lm	Measured @ 10.6 W	
Material	PC / UL94V2		

cd/klm



Illuminance At Distances

