



Product Model Number

CKO-CH15-045021-1601

✓ Model Number Definitions

CKO-XXXX-XXXXXX-XXXX

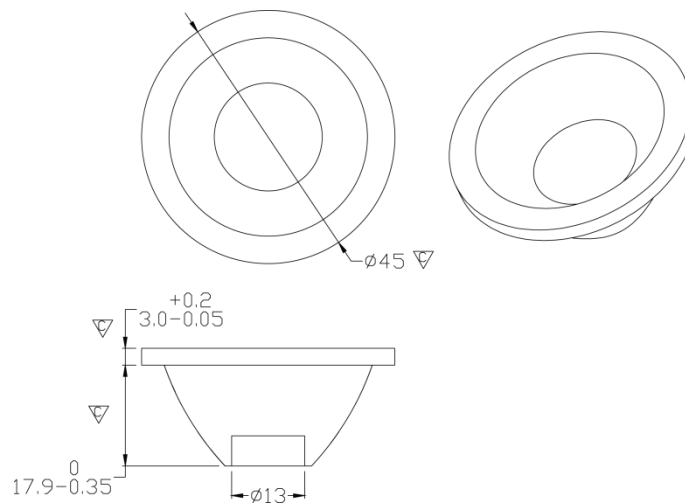


- A. Chun Kuang Optics Corp. Product
- B. Product Type: product abbreviation
Ex:
CH→CoB High Intensity
CC→CoB Compact
CS→Soft Shading for CoB LED
HC→Holder for CoB LED

- C. Identity Code
- D. Lens / Fixture Size
Ex: 075026=Φ75mm / Thickness=26mm (round up)
- C. Serial Numbers

The lens datasheet is applicable for **Lumileds LED**, that manufactured by Chun Kuang Optics Corp.

✓ Dimensions (mm) : Φ45 x 20.9



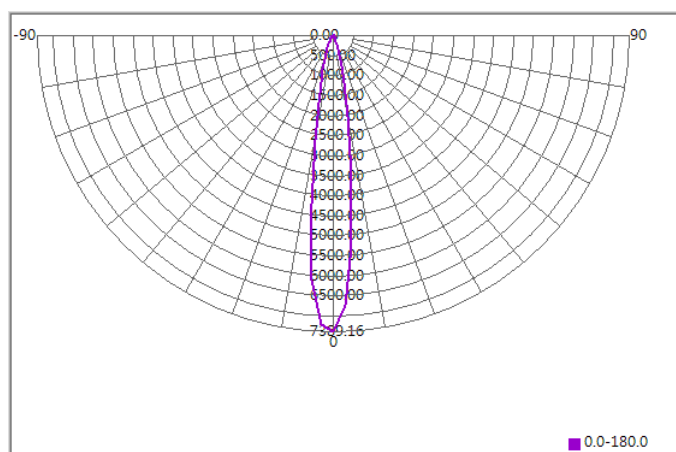
▽:Critical Dimension



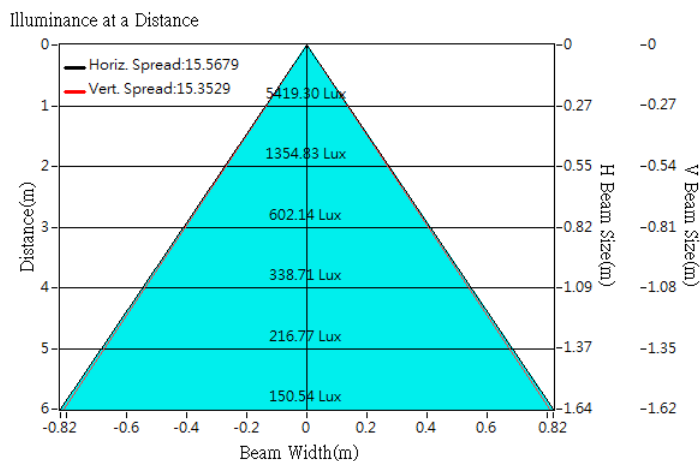
Optical Characteristics

| | | | |
|-------------------|-----------------------------|------------------|--|
| Model Number | CKO-CH15-045021-1601 | | <p>"H" definition</p> <p>LES CoB</p> |
| LED | LUXEON 1202 HD | | |
| LES / LED Size | Φ 6.5 mm | | |
| FWHM (D50) | 15° | | |
| Field Angle (D10) | 34° | | |
| H (distance) | 2.5mm | | |
| Dimension | Φ =45 mm, Thickness=20.9 mm | | |
| Luminous Flux | 733 lm | Measured @ 6.9 W | |
| Material | PC / UL94V2 | | |

cd/klm



Illuminance At Distances

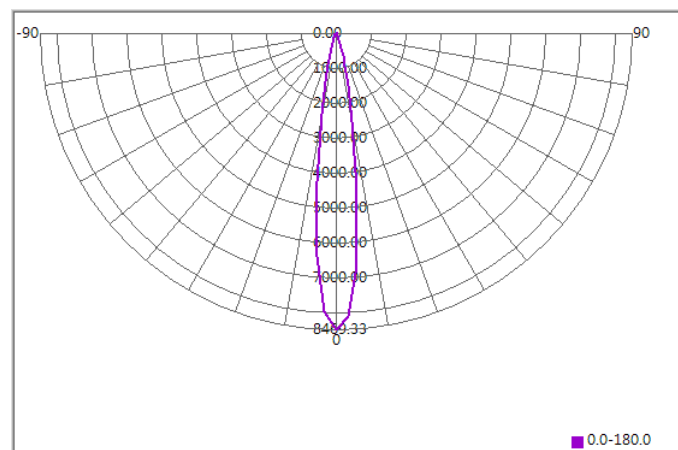




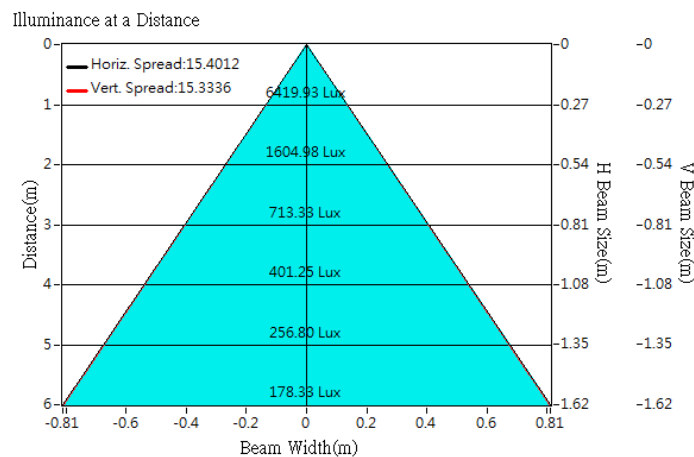
Optical Characteristics

| | | | |
|-------------------|-----------------------------|-----------------|-----------------------|
| Model Number | CKO-CH15-045021-1601 | | <p>"H" definition</p> |
| LED | LUXEON 1202s | | |
| LES / LED Size | Φ 6.5 mm | | |
| FWHM (D50) | 15° | | |
| Field Angle (D10) | 32° | | |
| H (distance) | 2.5mm | | |
| Dimension | Φ =45 mm, Thickness=20.9 mm | | |
| Luminous Flux | 758 lm | Measured @6.9 W | |
| Material | PC / UL94V2 | | |

cd/klm



Illuminance At Distances

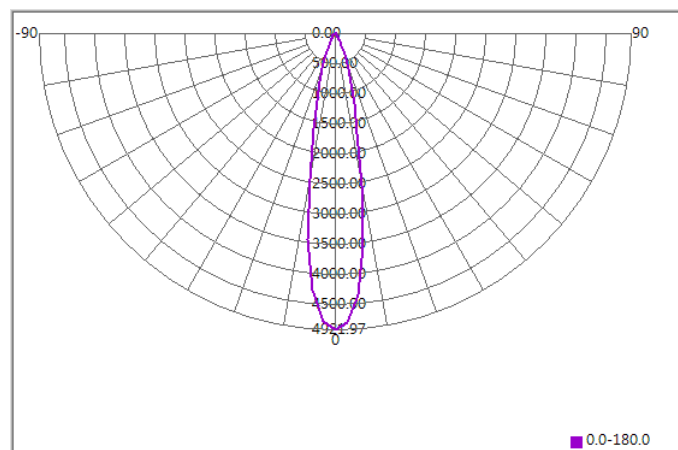




Optical Characteristics

| | | | |
|-------------------|-----------------------------|------------------|--|
| Model Number | CKO-CH15-045021-1601 | | <p>"H" definition</p> <p>LES CoB</p> |
| LED | LUXEON 1203 | | |
| LES / LED Size | Φ 9 mm | | |
| FWHM (D50) | 20° | | |
| Field Angle (D10) | 44° | | |
| H (distance) | 2.5mm | | |
| Dimension | Φ =45 mm, Thickness=20.9 mm | | |
| Luminous Flux | 799 lm | Measured @ 10.9W | |
| Material | PC / UL94V2 | | |

cd/klm



Illuminance At Distances

