



Product Model Number

CKO-CH15-045021-1602

✓ Model Number Definitions

CKO-XXXX-XXXXXX-XXXX

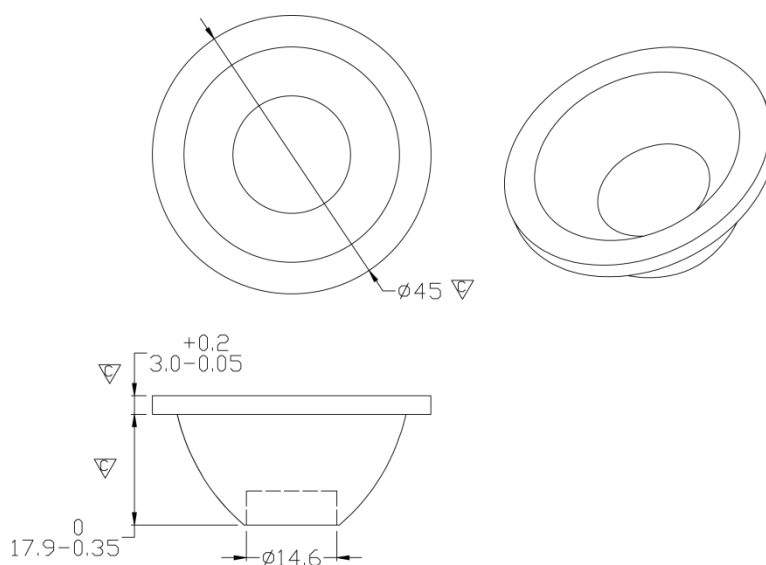


- A. Chun Kuang Optics Corp. Product
- B. Product Type: product abbreviation
Ex:
CH→CoB High Intensity
CC→CoB Compact
CS→Soft Shading for CoB LED
HC→Holder for CoB LED

- C. Identity Code
- D. Lens / Fixture Size
Ex: 075026=Φ75mm / Thickness=26mm (round up)
- C. Serial Numbers

The lens datasheet is applicable for **TRIDONIC LED**, that manufactured by Chun Kuang Optics Corp.

✓ Dimensions (mm) : Φ45 x 20.9



▽:Critical Dimension



✓ **Optical Characteristics – Angle Performances**

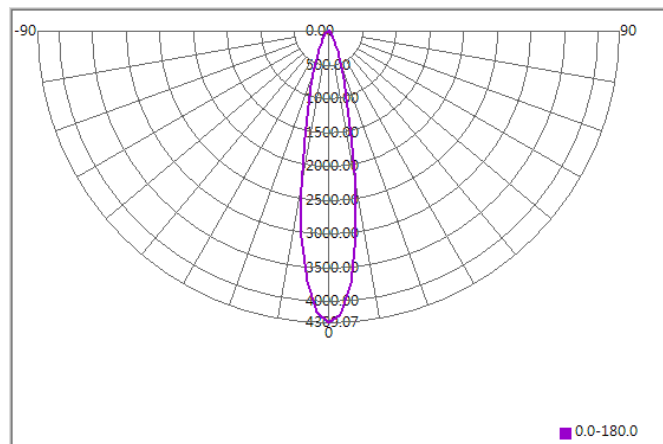
TRIDONIC	LED LES (mm)	FWHM (degrees)	Field Angle (degrees)
SLE G7 09mm 1200lm 940 R ADV	Φ9	21°	46°
SLE G7 13mm 3000lm 930 R ADV	Φ13	30°	64°



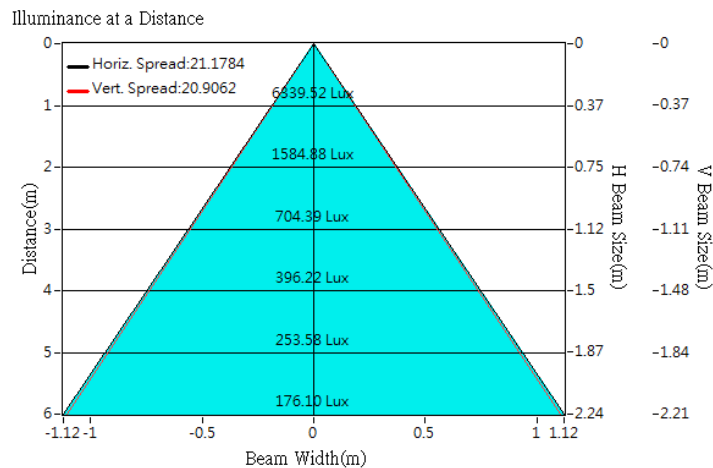
Optical Characteristics

Model Number	CKO-CH15-045021-1602		<p>"H" definition</p>
LED	SLE G7 09mm 1200lm 940 R ADV		
LES / LED Size	Φ 9 mm		
FWHM (D50)	21°		
Field Angle (D10)	46°		
H (distance)	2.5mm		
Dimension	Φ =45 mm, Thickness=20.9 mm		
Luminous Flux	1471 lm	Measured @ 12.3 W	
Material	PC / UL94V2		

cd/klm



Illuminance At Distances

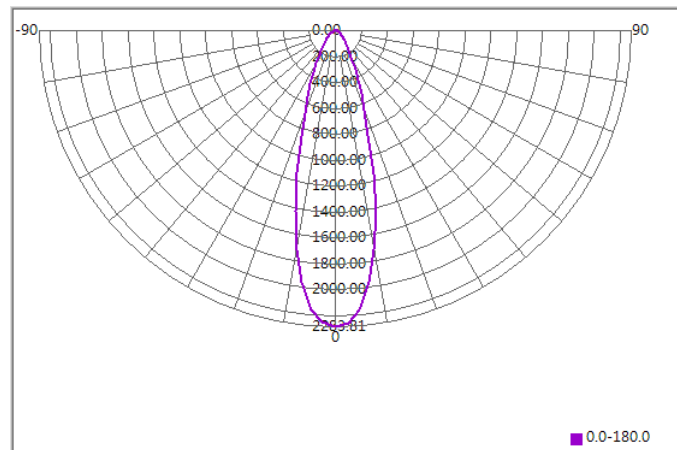




Optical Characteristics

Model Number	CKO-CH15-045021-1602		<p>"H" definition</p>
LED	SLE G7 13mm 3000lm 930 R ADV		
LES / LED Size	Φ 13 mm		
FWHM (D50)	30°		
Field Angle (D10)	64°		
H (distance)	2.5mm		
Dimension	Φ =45 mm, Thickness=20.9 mm		
Luminous Flux	1937 lm	Measured @ 17.9 W	
Material	PC / UL94V2		

cd/klm



Illuminance At Distances

