



Product Model Number

CKO-CH15-045021-1603

✓ Model Number Definitions

CKO-XXXX-XXXXXX-XXXX

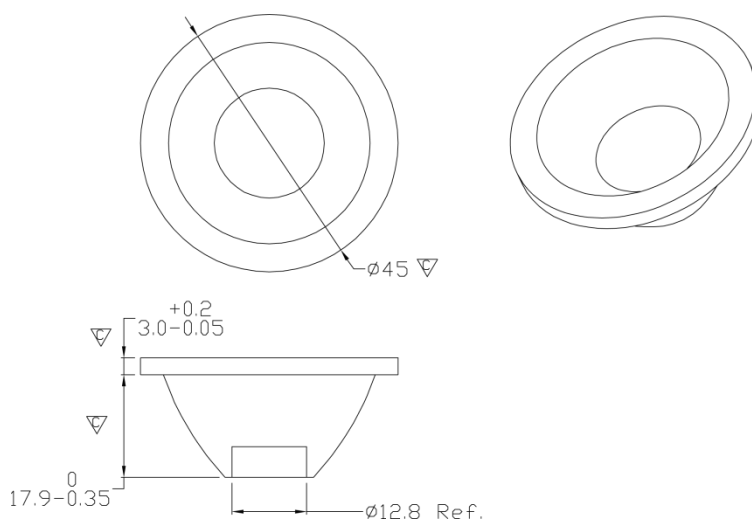


- A. Chun Kuang Optics Corp. Product
- B. Product Type: product abbreviation
Ex:
CH→CoB High Intensity
CC→CoB Compact
CS→Soft Shading for CoB LED
HC→Holder for CoB LED

- C. Identity Code
- D. Lens / Fixture Size
Ex: 075026=Φ75mm / Thickness=26mm (round up)
- C. Serial Numbers

The lens datasheet is applicable for **Lumileds LED**, that manufactured by Chun Kuang Optics Corp.

✓ Dimensions (mm) : Φ45 x 20.9



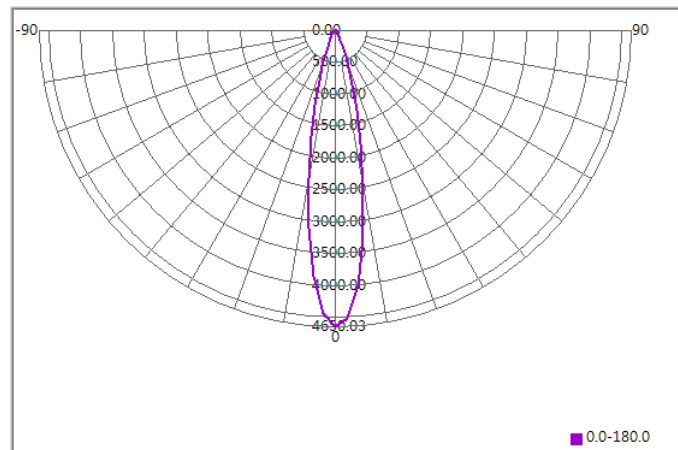
▽:Critical Dimension



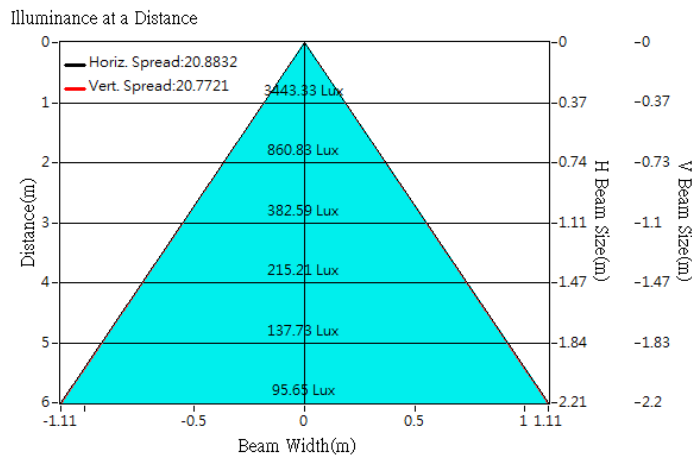
Optical Characteristics

Model Number	CKO-CH15-045021-1603		<p>"H" definition</p> <p>LES CoB</p>
LED	LUXEON 1202s		
LES / LED Size	Φ 6.5 mm		
FWHM (D50)	21°		
Field Angle (D10)	44°		
H (distance)	2.5mm		
Dimension	Φ =45 mm, Thickness=20.9 mm		
Luminous Flux	740 lm	Measured @7.0 W	
Material	PC / UL94V2		

cd/klm

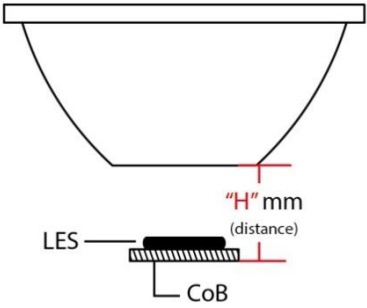


Illuminance At Distances

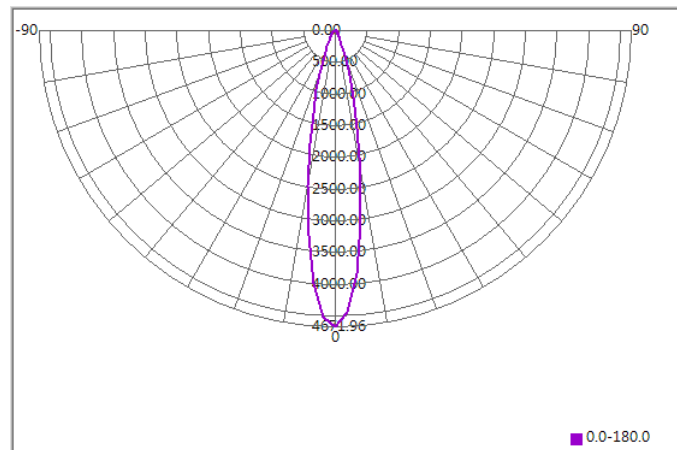




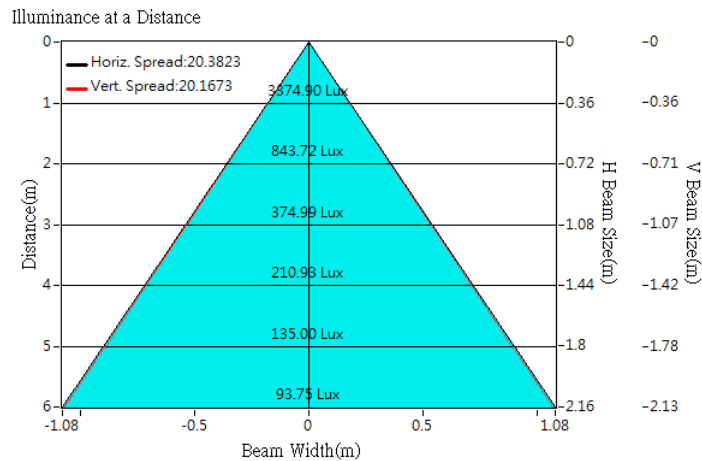
Optical Characteristics

Model Number	CKO-CH15-045021-1603		<p>"H" definition</p> 
LED	LUXEON 1202 HD		
LES / LED Size	Φ 6.5 mm		
FWHM (D50)	20°		
Field Angle (D10)	44°		
H (distance)	2.5mm		
Dimension	Φ =45 mm, Thickness=20.9 mm		
Luminous Flux	722 lm	Measured @6.9 W	
Material	PC / UL94V2		

cd/klm

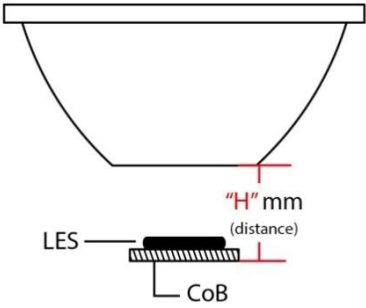


Illuminance At Distances

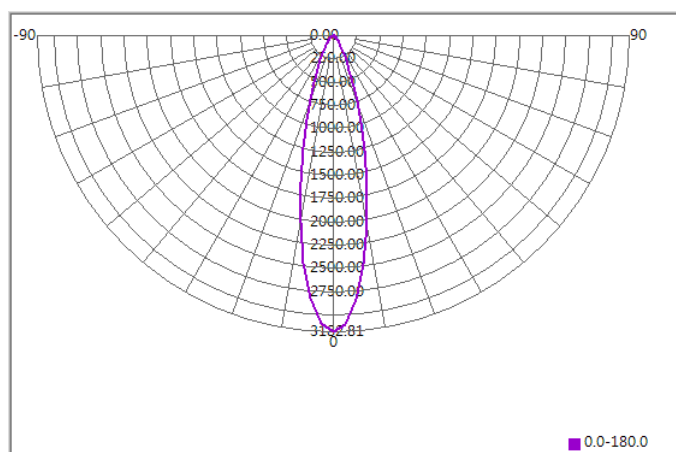




Optical Characteristics

Model Number	CKO-CH15-045021-1603		<p>"H" definition</p> 
LED	LUXEON 1203		
LES / LED Size	Φ 9 mm		
FWHM (D50)	26°		
Field Angle (D10)	54°		
H (distance)	2.5mm		
Dimension	Φ =45 mm, Thickness=20.9 mm		
Luminous Flux	775 lm	Measured @ 10.9W	
Material	PC / UL94V2		

cd/klm



Illuminance At Distances

