



## Product Model Number

CKO-CH15-045021-1605

### ✓ Model Number Definitions

**CKO-XXXX-XXXXXX-XXXX**

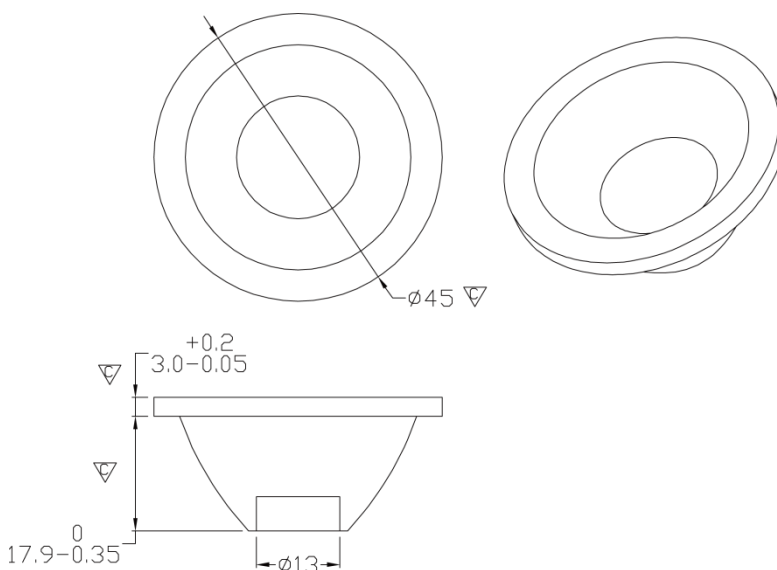


- A. Chun Kuang Optics Corp. Product
- B. Product Type: product abbreviation  
Ex:  
CH→CoB High Intensity  
CC→CoB Compact  
CS→Soft Shading for CoB LED  
HC→Holder for CoB LED

- C. Identity Code
- D. Lens / Fixture Size  
Ex: 075026=Φ75mm / Thickness=26mm (round up)
- C. Serial Numbers

The lens datasheet is applicable for **Bridgelux LED**, that manufactured by Chun Kuang Optics Corp.

### ✓ Dimensions (mm) : Φ45 x 20.9



▽:Critical Dimension

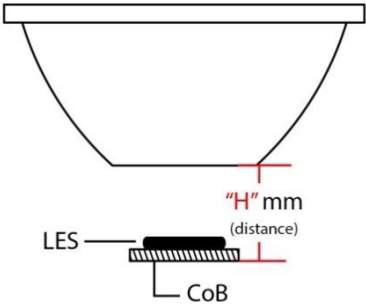


✓ **Optical Characteristics – Angle Performances**

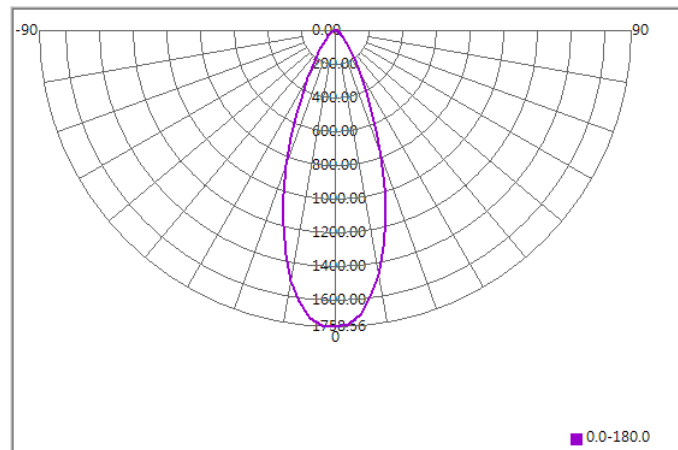
<b>Bridgelux</b>	<b>LED LES (mm)</b>	<b>FWHM (degrees)</b>	<b>Field Angle (degrees)</b>
VERO10	Φ9.9	38°	72°



## Optical Characteristics

Model Number	CKO-CH15-045021-1605		<p>"H" definition</p> 
LED	<b>VERO10</b>		
LES / LED Size	Φ 9 mm		
FWHM (D50)	38°		
Field Angle (D10)	72°		
H (distance)	2.5mm		
Dimension	Φ =45 mm, Thickness=20.9 mm		
Luminous Flux	549 lm	Measured @ 9.2 W	
Material	PC / UL94V2		

## cd/klm



## Illuminance At Distances

