



Product Model Number

CKO-CH15-045021-1605

✓ Model Number Definitions

CKO-XXXX-XXXXXX-XXXX

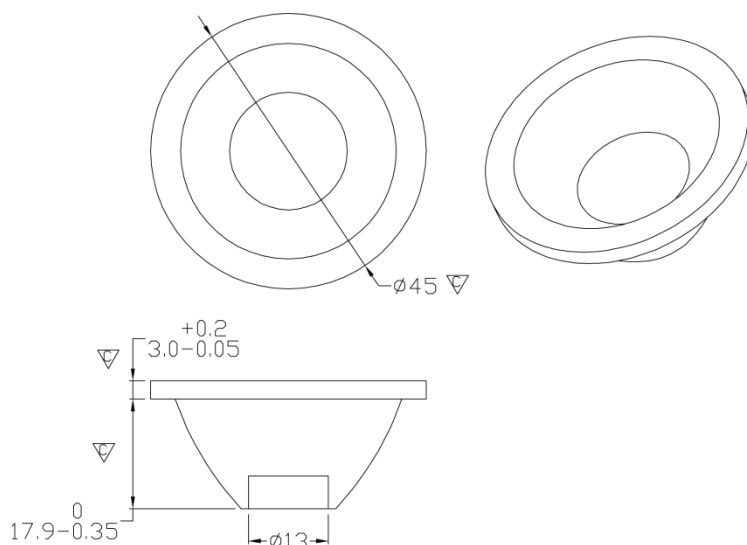


- A. Chun Kuang Optics Corp. Product
- B. Product Type: product abbreviation
Ex:
CH→CoB High Intensity
CC→CoB Compact
CS→Soft Shading for CoB LED
HC→Holder for CoB LED

- C. Identity Code
- D. Lens / Fixture Size
Ex: 075026=Φ75mm / Thickness=26mm (round up)
- C. Serial Numbers

The lens datasheet is applicable for **Lumileds LED**, that manufactured by Chun Kuang Optics Corp.

✓ Dimensions (mm) : Φ45 x 20.9



▽:Critical Dimension

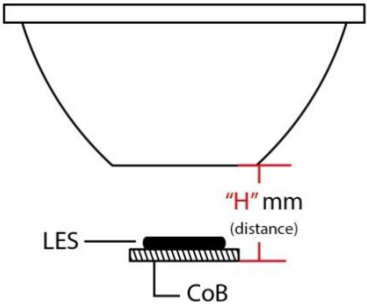


✓ Optical Characteristics – Angle Performances

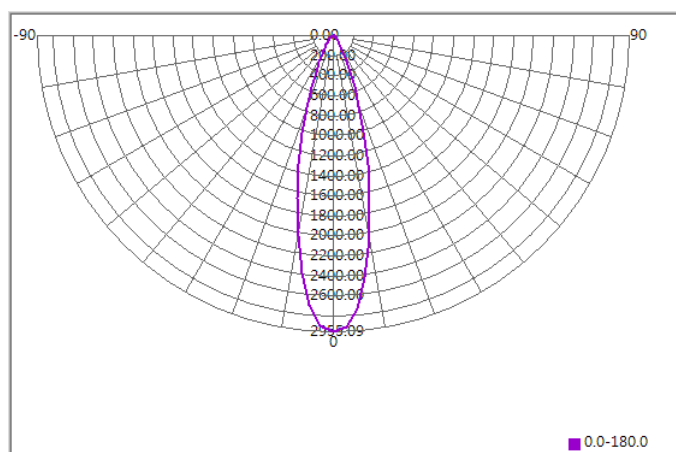
Lumileds	LED LES (mm)	FWHM (degrees)	Field Angle (degrees)
LUXEON 1202s	Φ6.5	28°	55°
LUXEON 1202 HD	Φ6.5	28°	57°
LUXEON 1203	Φ9	34°	65°



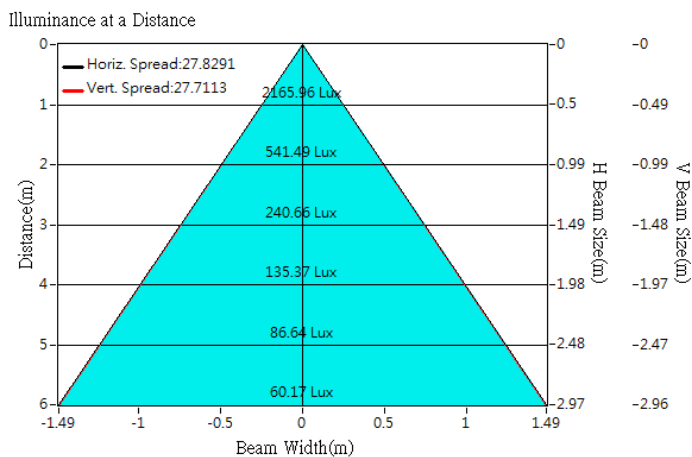
Optical Characteristics

Model Number	CKO-CH15-045021-1605		<p>"H" definition</p> 
LED	LUXEON 1202s		
LES / LED Size	Φ 6.5 mm		
FWHM (D50)	28°		
Field Angle (D10)	55°		
H (distance)	2.5mm		
Dimension	Φ =45 mm, Thickness=20.9 mm		
Luminous Flux	733 lm	Measured @7.0 W	
Material	PC / UL94V2		

cd/klm

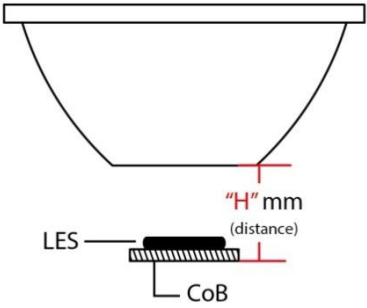


Illuminance At Distances

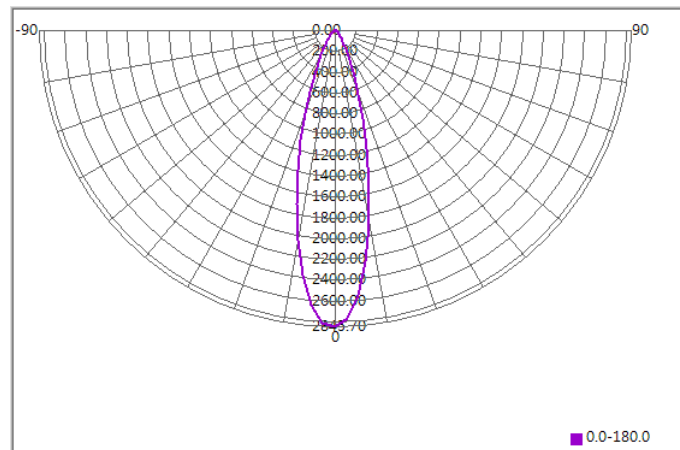




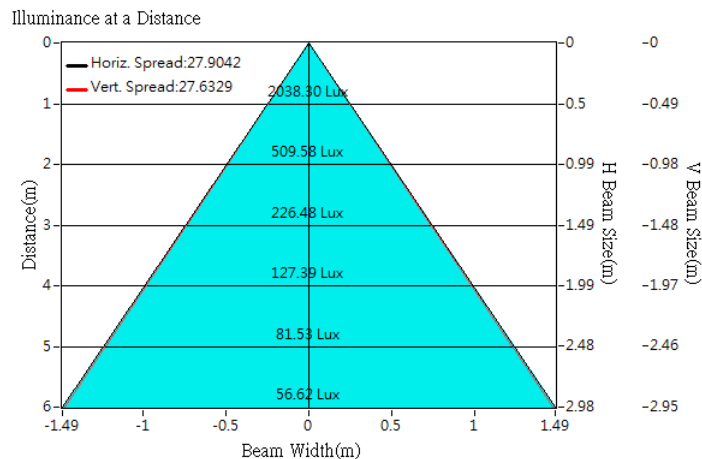
Optical Characteristics

Model Number	CKO-CH15-045021-1605		<p>"H" definition</p> 
LED	LUXEON 1202 HD		
LES / LED Size	Φ 6.5 mm		
FWHM (D50)	28°		
Field Angle (D10)	57°		
H (distance)	2.5mm		
Dimension	Φ =45 mm, Thickness=20.9 mm		
Luminous Flux	716 lm	Measured @6.9 W	
Material	PC / UL94V2		

cd/klm



Illuminance At Distances

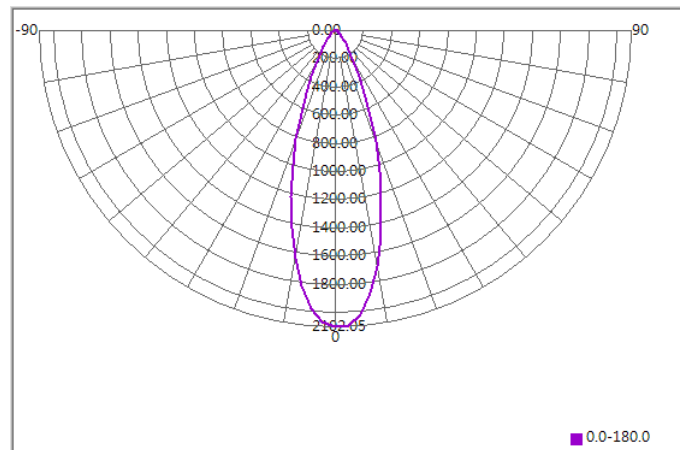




Optical Characteristics

Model Number	CKO-CH15-045021-1605		<p>"H" definition</p>
LED	LUXEON 1203		
LES / LED Size	Φ 9 mm		
FWHM (D50)	34°		
Field Angle (D10)	65°		
H (distance)	2.5mm		
Dimension	Φ =45 mm, Thickness=20.9 mm		
Luminous Flux	773 lm	Measured @10.9 W	
Material	PC / UL94V2		

cd/klm



Illuminance At Distances

