



## Product Model Number

CKO-CH15-045021-1605

### ✓ Model Number Definitions

**CKO-XXXX-XXXXXX-XXXX**

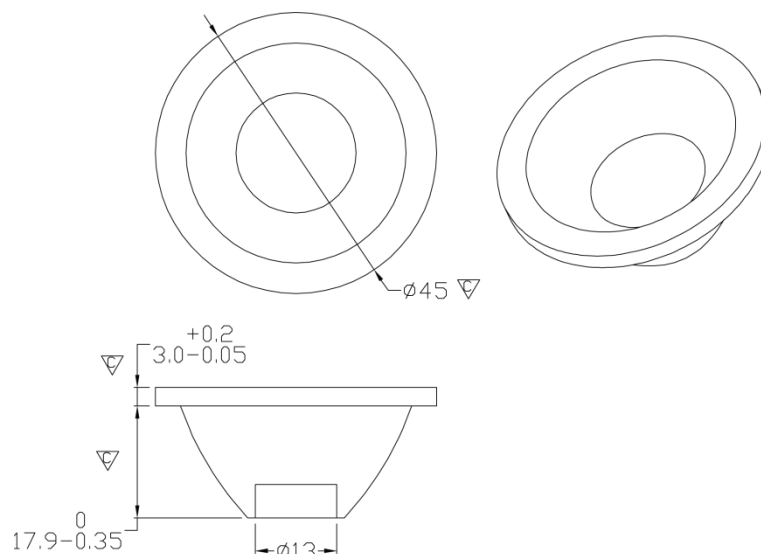


- A. Chun Kuang Optics Corp. Product
- B. Product Type: product abbreviation  
Ex:  
CH→CoB High Intensity  
CC→CoB Compact  
CS→Soft Shading for CoB LED  
HC→Holder for CoB LED

- C. Identity Code
- D. Lens / Fixture Size  
Ex: 075026=Φ75mm / Thickness=26mm (round up)
- C. Serial Numbers

The lens datasheet is applicable for **Luminus LED**, that manufactured by Chun Kuang Optics Corp.

### ✓ Dimensions (mm) : Φ45 x 20.9



▽:Critical Dimension

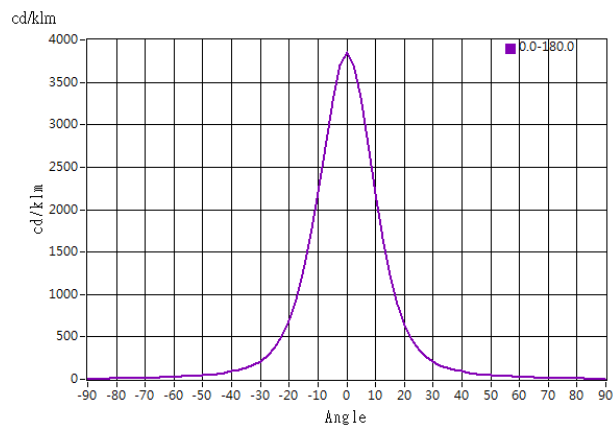




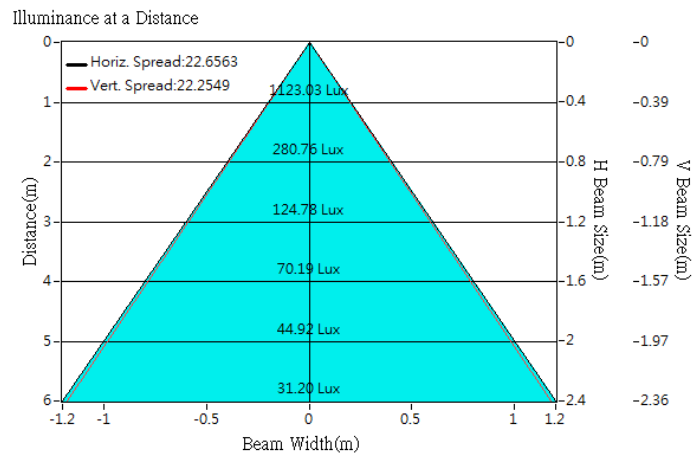
## Optical Characteristics

Model Number	CKO-CH15-045021-1605	<p>"H" definition</p>
LED	<b>CXM-3-AC40</b>	
LES / LED Size	Φ 3.5 mm	
FWHM (D50)	23°	
Field Angle (D10)	49°	
H (distance)	2.5mm	
Dimension	Φ =45 mm, Thickness=20.9 mm	
Luminous Flux	291 lm	
Material	PC / UL94V2	

## cd/klm



## Illuminance At Distances

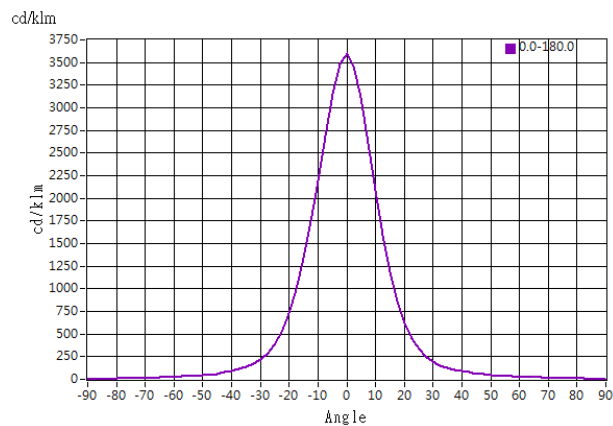




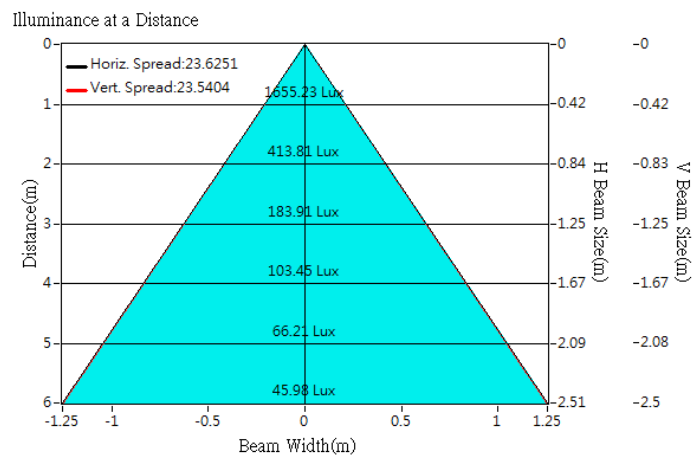
## Optical Characteristics

Model Number	CKO-CH15-045021-1605		<p>"H" definition</p>
LED	<b>CXM-4-AC40</b>		
LES / LED Size	Φ 4.5 mm		
FWHM (D50)	24°		
Field Angle (D10)	50°		
H (distance)	2.5mm		
Dimension	Φ =45 mm, Thickness=20.9 mm		
Luminous Flux	460 lm	Measured @ 4.0 W	
Material	PC / UL94V2		

## cd/klm



## Illuminance At Distances



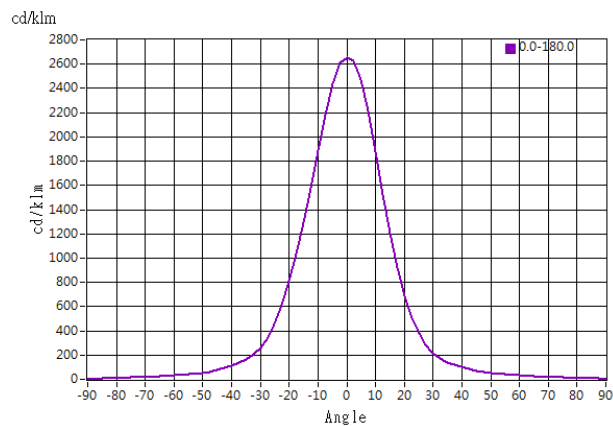




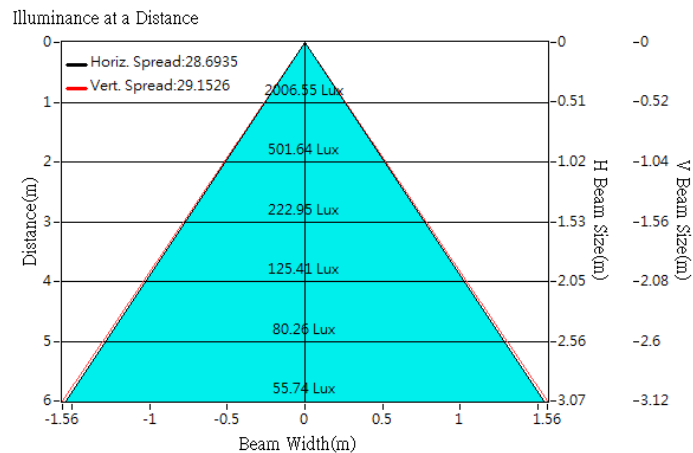
## Optical Characteristics

Model Number	CKO-CH15-045021-1605	<p>"H" definition</p> <p>LES CoB</p>
LED	<b>CXM-6-AC40</b>	
LES / LED Size	Φ 6.3 mm	
FWHM (D50)	29°	
Field Angle (D10)	58°	
H (distance)	2.5mm	
Dimension	Φ =45 mm, Thickness=20.9 mm	
Luminous Flux	755 lm	
Material	PC / UL94V2	

## cd/klm

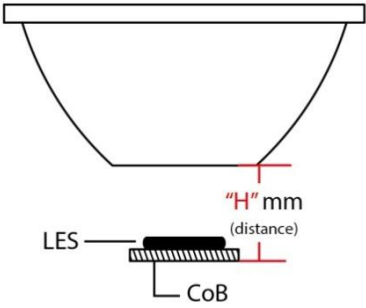


## Illuminance At Distances

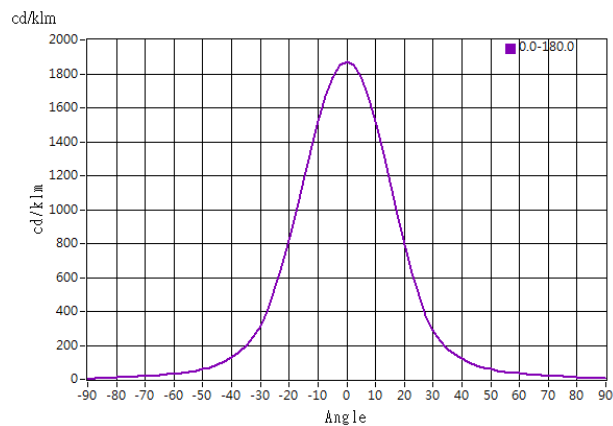




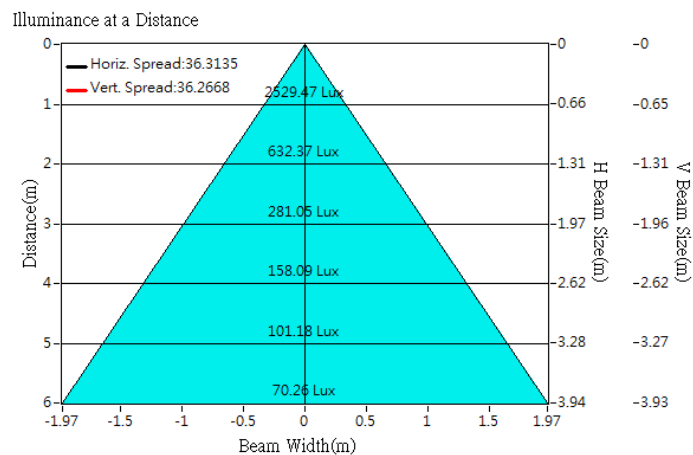
## Optical Characteristics

Model Number	CKO-CH15-045021-1605		<p>"H" definition</p> 
LED	<b>CXM-9-AC30</b>		
LES / LED Size	Φ 9.6 mm		
FWHM (D50)	36°		
Field Angle (D10)	70°		
H (distance)	2.5mm		
Dimension	Φ =45 mm, Thickness=20.9 mm		
Luminous Flux	1354 lm	Measured @ 12.1 W	
Material	PC / UL94V2		

## cd/klm



## Illuminance At Distances

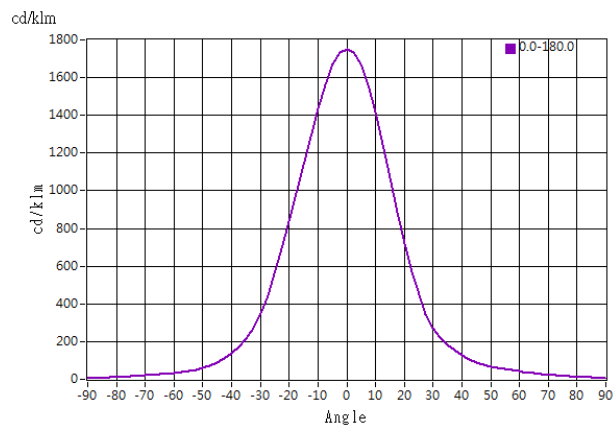




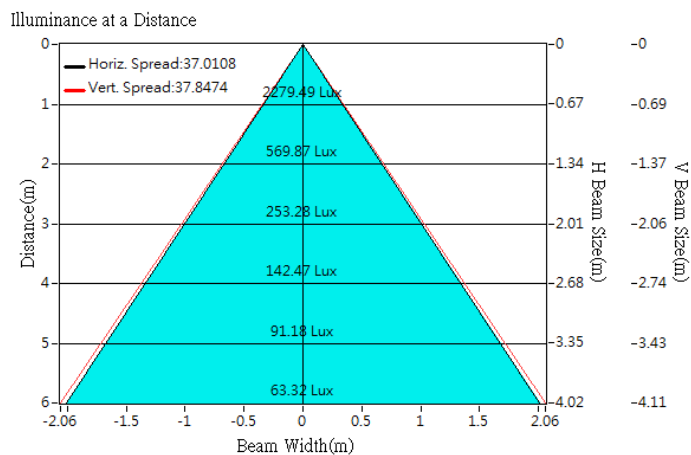
## Optical Characteristics

Model Number	CKO-CH15-045021-1605	<p>"H" definition</p>
LED	<b>CXM-9-AC40</b>	
LES / LED Size	Φ 9.8 mm	
FWHM (D50)	37°	
Field Angle (D10)	73°	
H (distance)	2.5mm	
Dimension	Φ =45 mm, Thickness=20.9 mm	
Luminous Flux	1302 lm	
Material	PC / UL94V2	

## cd/klm



## Illuminance At Distances

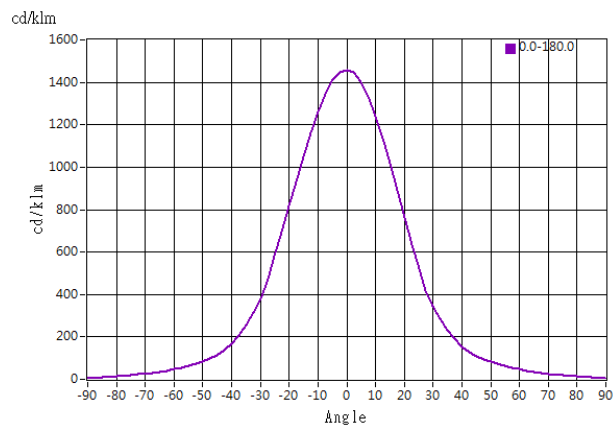




## Optical Characteristics

Model Number	CKO-CH15-045021-1605	<p>"H" definition</p>
LED	<b>CXM-11-AC30</b>	
LES / LED Size	Φ 11.7 mm	
FWHM (D50)	42°	
Field Angle (D10)	83°	
H (distance)	2.5mm	
Dimension	Φ =45 mm, Thickness=20.9 mm	
Luminous Flux	1545 lm      Measured @ 15.7 W	
Material	PC / UL94V2	

## cd/klm



## Illuminance At Distances

