



Product Model Number

CKO-CH15-045021-1607

✓ Model Number Definitions

CKO-XXXX-XXXXXX-XXXX

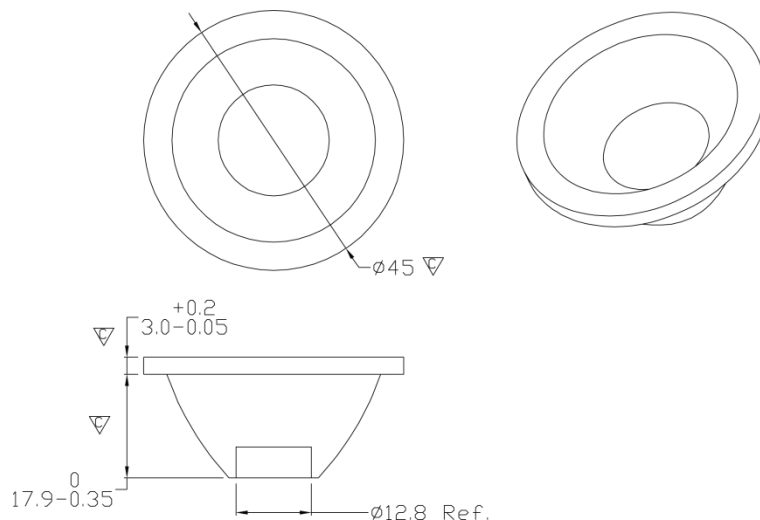


- A. Chun Kuang Optics Corp. Product
- B. Product Type: product abbreviation
Ex:
CH→CoB High Intensity
CC→CoB Compact
CS→Soft Shading for CoB LED
HC→Holder for CoB LED

- C. Identity Code
- D. Lens / Fixture Size
Ex: 075026=Φ75mm / Thickness=26mm (round up)
- C. Serial Numbers

The lens datasheet is applicable for **Lumileds LED**, that manufactured by Chun Kuang Optics Corp.

✓ Dimensions (mm) : Φ45 x 20.9



▽:Critical Dimension



✓ **Optical Characteristics – Angle Performances**

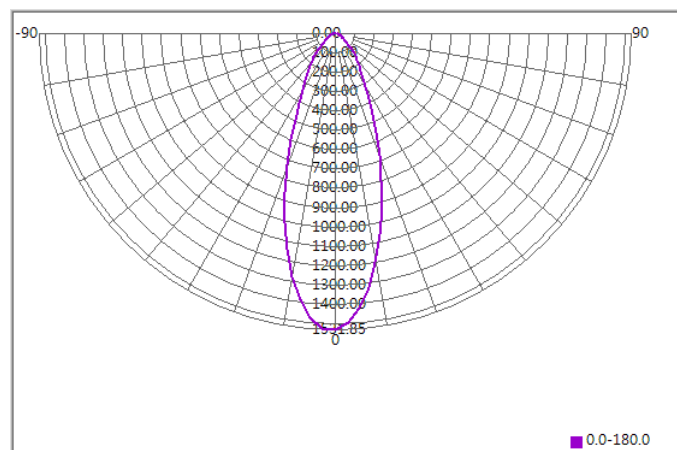
| Lumileds | LED LES (mm) | FWHM (degrees) | Field Angle (degrees) |
|----------------|--------------|----------------|-----------------------|
| LUXEON 1202 HD | Φ6.5 | 37° | 86° |
| LUXEON 1203 | Φ9 | 41° | 92° |
| | | | |
| | | | |
| | | | |
| | | | |
| | | | |
| | | | |
| | | | |
| | | | |
| | | | |
| | | | |
| | | | |
| | | | |
| | | | |
| | | | |
| | | | |
| | | | |
| | | | |
| | | | |
| | | | |
| | | | |
| | | | |
| | | | |
| | | | |
| | | | |



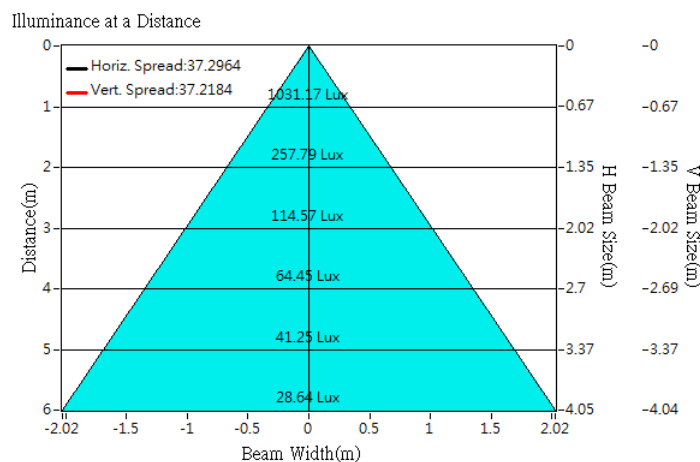
Optical Characteristics

| | | |
|-------------------|-----------------------------|--|
| Model Number | CKO-CH15-045021-1607 | <p>"H" definition</p> <p>LES CoB</p> |
| LED | LUXEON 1202 HD | |
| LES / LED Size | Φ 6.5 mm | |
| FWHM (D50) | 37° | |
| Field Angle (D10) | 86° | |
| H (distance) | 2.5mm | |
| Dimension | Φ =45 mm, Thickness=20.9 mm | |
| Luminous Flux | 673 lm | |
| Material | PC / UL94V2 | |

cd/klm



Illuminance At Distances

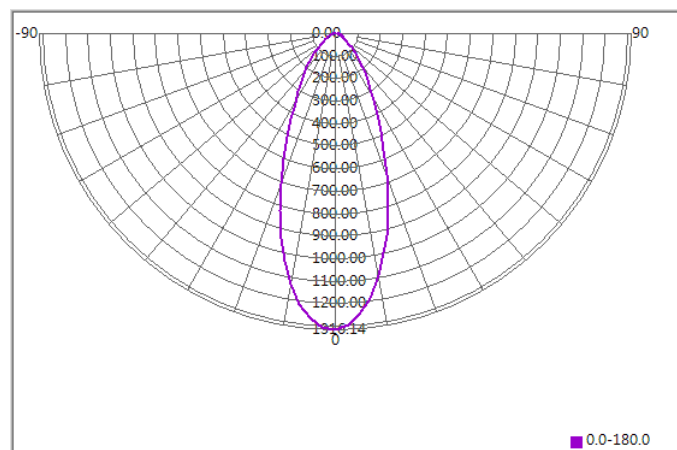




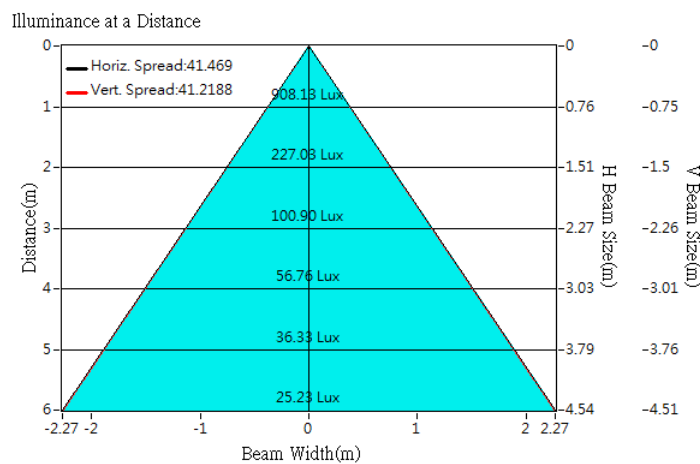
Optical Characteristics

| | | | |
|-------------------|-----------------------------|-----------------|--|
| Model Number | CKO-CH15-045021-1607 | | <p>"H" definition</p> <p>LES CoB</p> |
| LED | LUXEON 1203 | | |
| LES / LED Size | Φ 9 mm | | |
| FWHM (D50) | 41° | | |
| Field Angle (D10) | 92° | | |
| H (distance) | 2.5mm | | |
| Dimension | Φ =45 mm, Thickness=20.9 mm | | |
| Luminous Flux | 690 lm | Measured @ 11 W | |
| Material | PC / UL94V2 | | |

cd/klm

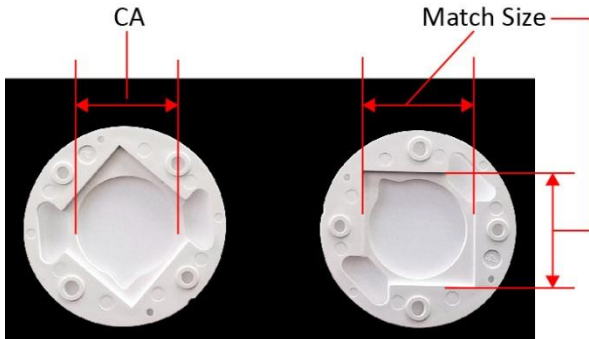


Illuminance At Distances





Lens Accessories - CoB Holder



Example of LES Area & LED Size Dimension Locations

| Product Model | Match Size (mm) | CA (mm) | Material | Applicability |
|----------------------|-----------------|---------|----------|----------------------|
| CKO-HC14-161911-0501 | 16.3 x 19.3 | Φ 11.9 | PBT | Lumileds 1202 |
| CKO-HC14-161911-0501 | 16.3 x 19.3 | Φ 11.9 | PBT | Lumileds 1203 |
| CKO-HC14-202419-0502 | 20.3 x 24.3 | Φ 19.2 | PBT | Lumileds 1204 |
| CKO-HC14-202419-0502 | 20.3 x 24.3 | Φ 19.2 | PBT | Lumileds 1205 |