



Product Model Number

CKO-CH15-045021-1607

✓ Model Number Definitions

CKO-XXXX-XXXXXX-XXXX

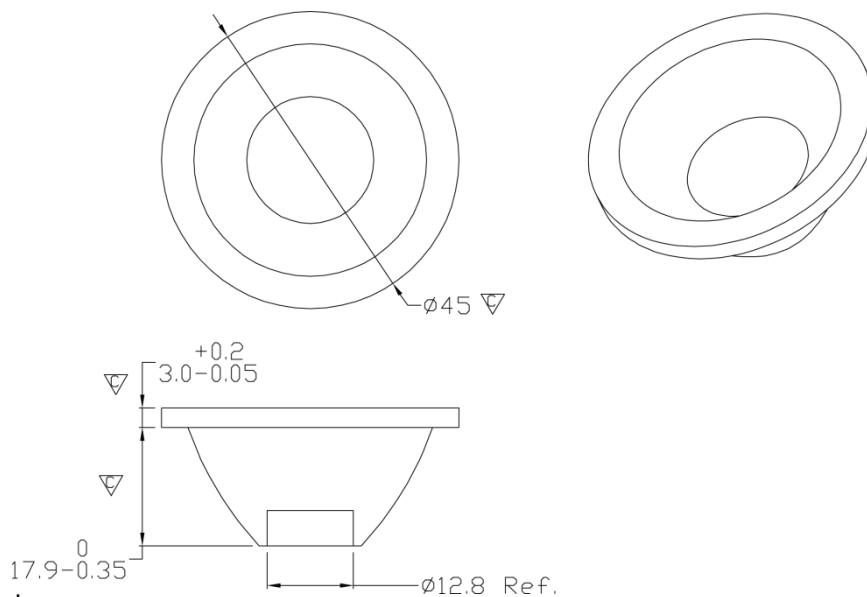


- A. Chun Kuang Optics Corp. Product
- B. Product Type: product abbreviation
Ex:
CH→CoB High Intensity
CC→CoB Compact
CS→Soft Shading for CoB LED
HC→Holder for CoB LED

- C. Identity Code
- D. Lens / Fixture Size
Ex: 075026=Φ75mm / Thickness=26mm (round up)
- C. Serial Numbers

The lens datasheet is applicable for **TRIDONIC LED**, that manufactured by Chun Kuang Optics Corp.

✓ Dimensions (mm) : Φ45 x 20.9



▽:Critical Dimension



✓ **Optical Characteristics – Angle Performances**

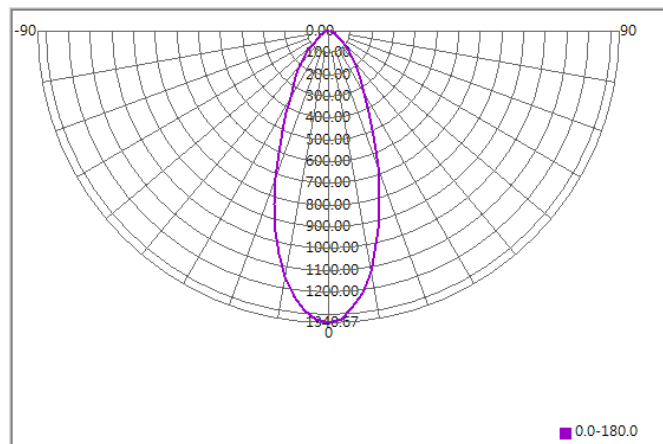
| TRIDONIC | LED LES (mm) | FWHM (degrees) | Field Angle (degrees) |
|------------------------------|---------------------|-----------------------|------------------------------|
| SLE G7 09mm 1200lm 940 R ADV | Φ9 | 41° | 92° |
| SLE G7 13mm 3000lm 930 R ADV | Φ13 | 50° | 107° |
| | | | |
| | | | |
| | | | |
| | | | |
| | | | |
| | | | |
| | | | |
| | | | |
| | | | |
| | | | |
| | | | |
| | | | |
| | | | |
| | | | |
| | | | |
| | | | |
| | | | |
| | | | |
| | | | |
| | | | |
| | | | |
| | | | |
| | | | |
| | | | |
| | | | |
| | | | |
| | | | |
| | | | |
| | | | |
| | | | |
| | | | |
| | | | |
| | | | |



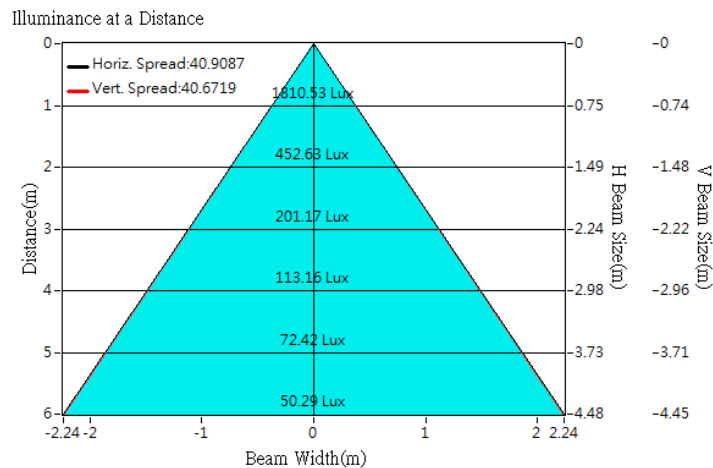
Optical Characteristics

| | | | |
|-------------------|------------------------------|-------------------|-----------------------|
| Model Number | CKO-CH15-045021-1607 | | <p>"H" definition</p> |
| LED | SLE G7 09mm 1200lm 940 R ADV | | |
| LES / LED Size | Φ 9 mm | | |
| FWHM (D50) | 41° | | |
| Field Angle (D10) | 92° | | |
| H (distance) | 2.5mm | | |
| Dimension | Φ =45 mm, Thickness=20.9 mm | | |
| Luminous Flux | 1350 lm | Measured @ 12.3 W | |
| Material | PC / UL94V2 | | |

cd/klm



Illuminance At Distances

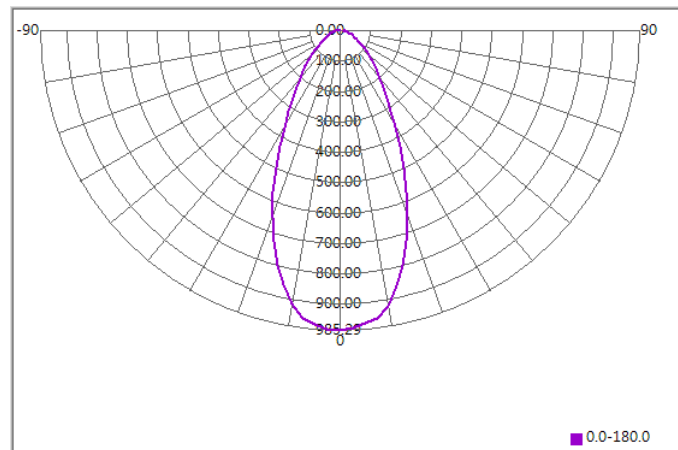




Optical Characteristics

| | | | |
|-------------------|------------------------------|-----------------|--|
| Model Number | CKO-CH15-045021-1607 | | <p>"H" definition</p> <p>LES CoB</p> |
| LED | SLE G7 13mm 3000lm 930 R ADV | | |
| LES / LED Size | Φ 13 mm | | |
| FWHM (D50) | 50° | | |
| Field Angle (D10) | 107° | | |
| H (distance) | 2.5mm | | |
| Dimension | Φ =45 mm, Thickness=20.9 mm | | |
| Luminous Flux | 1791 lm | Measured @ 18 W | |
| Material | PC / UL94V2 | | |

cd/klm



Illuminance At Distances

