



Product Model Number

CKO-CH15-045021-1609

✓ Model Number Definitions

CKO-XXXX-XXXXXX-XXXX

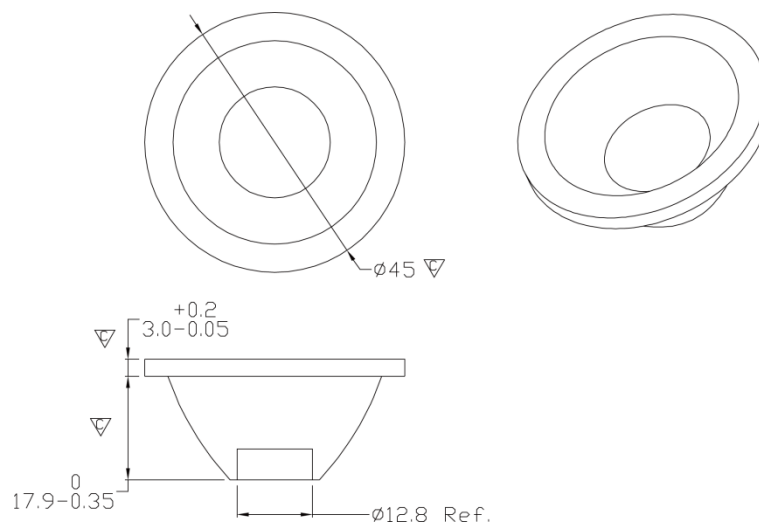


- A. Chun Kuang Optics Corp. Product
- B. Product Type: product abbreviation
Ex:
CH→CoB High Intensity
CC→CoB Compact
CS→Soft Shading for CoB LED
HC→Holder for CoB LED

- C. Identity Code
- D. Lens / Fixture Size
Ex: 075026=Φ75mm / Thickness=26mm (round up)
- C. Serial Numbers

The lens datasheet is applicable for **Luminus LED**, that manufactured by Chun Kuang Optics Corp.

✓ Dimensions (mm) : Φ45 x 20.9



▽:Critical Dimension



✓ **Optical Characteristics – Angle Performances**

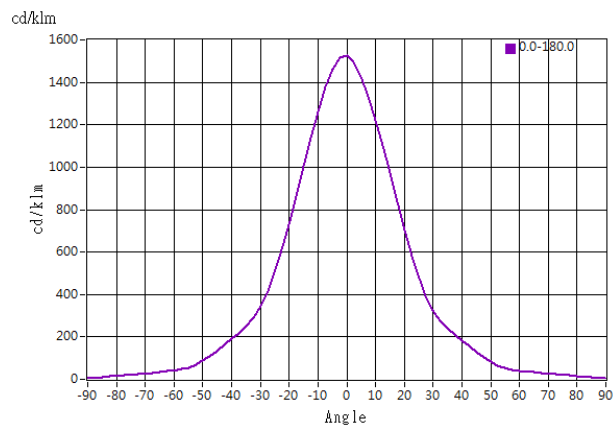
Luminus	LED LES (mm)	FWHM (degrees)	Field Angle (degrees)
CXM-3-AC40	Φ3.5	38°	86°
CXM-4-AC40	Φ4.5	40°	87°
CXM-6-AC40	Φ6.3	42°	92°
CXM-9-AC30	Φ9.6	47°	96°
CXM-9-AC40	Φ9.8	49°	96°
CXM-11-AC30	Φ11.7	52°	103°



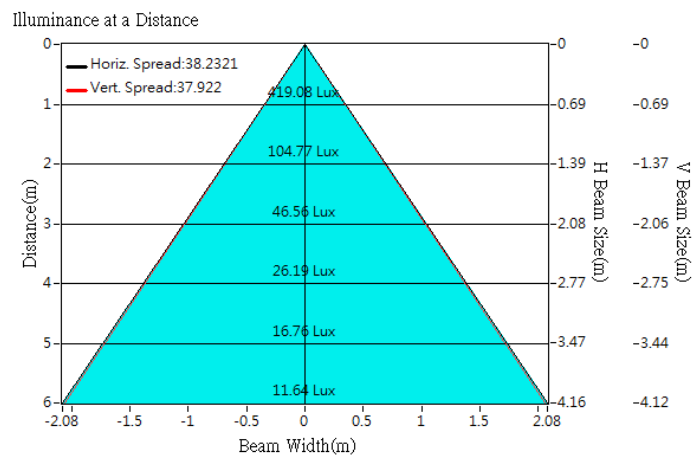
Optical Characteristics

Model Number	CKO-CH15-045021-1609	<p>"H" definition</p>
LED	CXM-3-AC40	
LES / LED Size	Φ 3.8 mm	
FWHM (D50)	38°	
Field Angle (D10)	86°	
H (distance)	2.5mm	
Dimension	Φ =45 mm, Thickness=20.9 mm	
Luminous Flux	274 lm	
Material	PC / UL94V2	

cd/klm



Illuminance At Distances

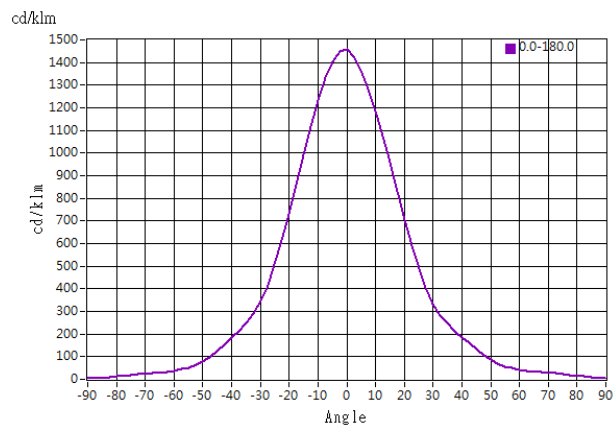




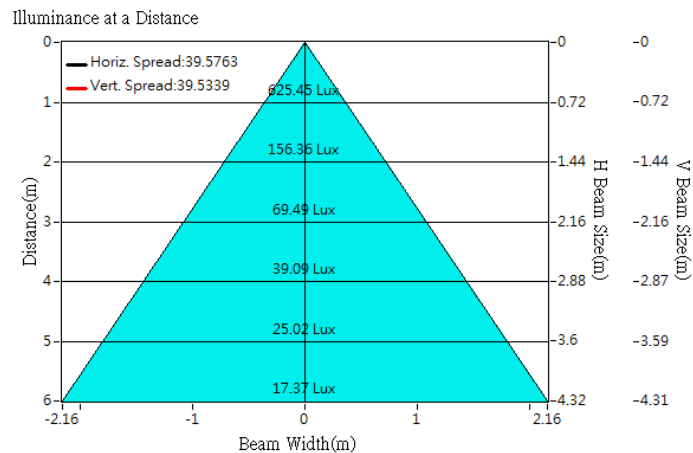
Optical Characteristics

Model Number	CKO-CH15-045021-1609	<p>"H" definition</p>
LED	CXM-4-AC40	
LES / LED Size	Φ 4.5 mm	
FWHM (D50)	40°	
Field Angle (D10)	87°	
H (distance)	2.5mm	
Dimension	Φ =45 mm, Thickness=20.9 mm	
Luminous Flux	429 lm	
Material	PC / UL94V2	

cd/klm

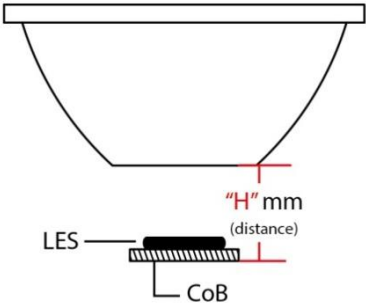


Illuminance At Distances

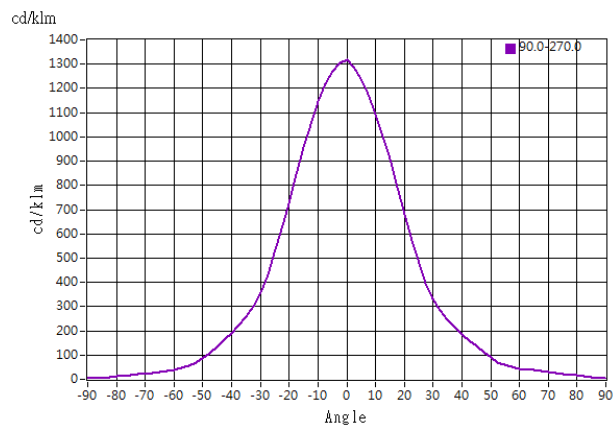




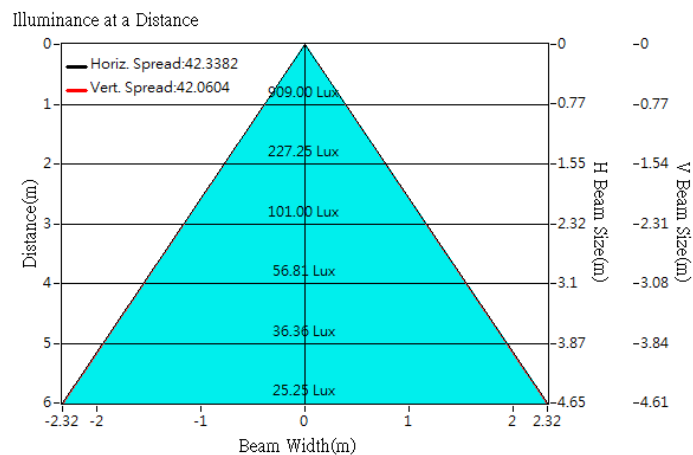
Optical Characteristics

Model Number	CKO-CH15-045021-1609	<p>"H" definition</p> 
LED	CXM-6-AC40	
LES / LED Size	Φ 6.3 mm	
FWHM (D50)	41°	
Field Angle (D10)	92°	
H (distance)	2.5mm	
Dimension	Φ =45 mm, Thickness=20.9 mm	
Luminous Flux	689 lm Measured @ 5.5 W	
Material	PC / UL94V2	

cd/klm



Illuminance At Distances

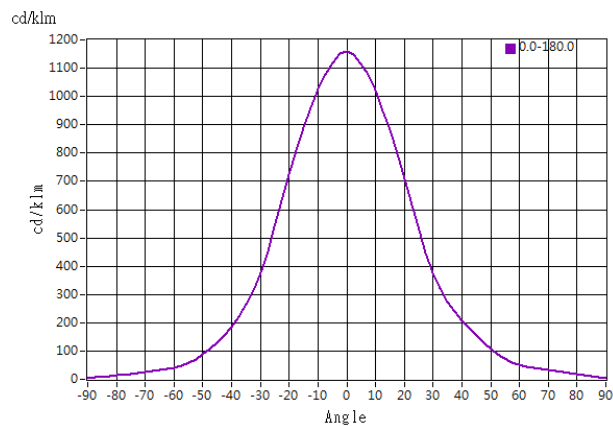




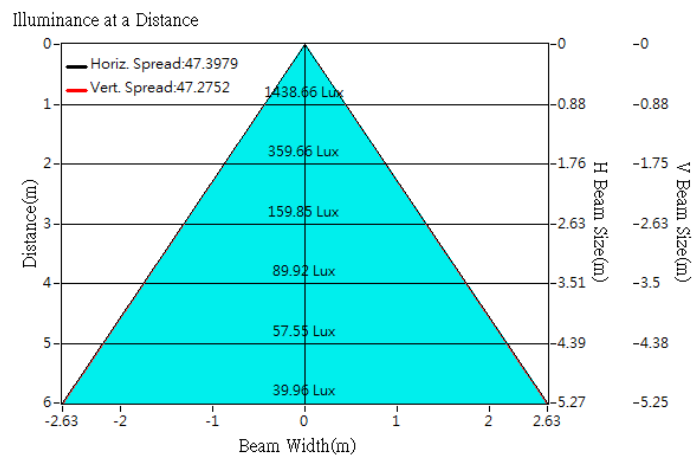
Optical Characteristics

Model Number	CKO-CH15-045021-1609	<p>"H" definition</p>
LED	CXM-9-AC30	
LES / LED Size	Φ 9.6 mm	
FWHM (D50)	47°	
Field Angle (D10)	96°	
H (distance)	2.5mm	
Dimension	Φ =45 mm, Thickness=20.9 mm	
Luminous Flux	1240 lm	
Material	PC / UL94V2	

cd/klm



Illuminance At Distances

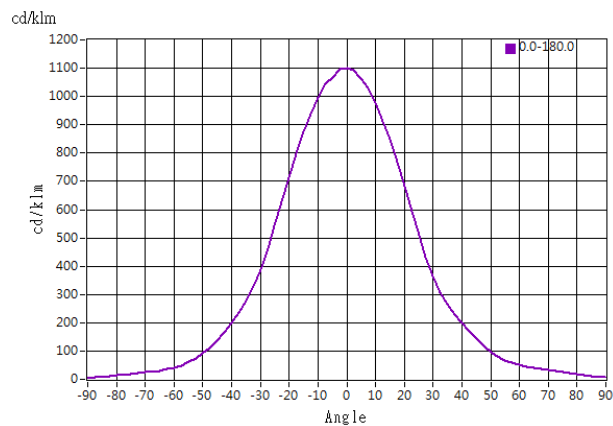




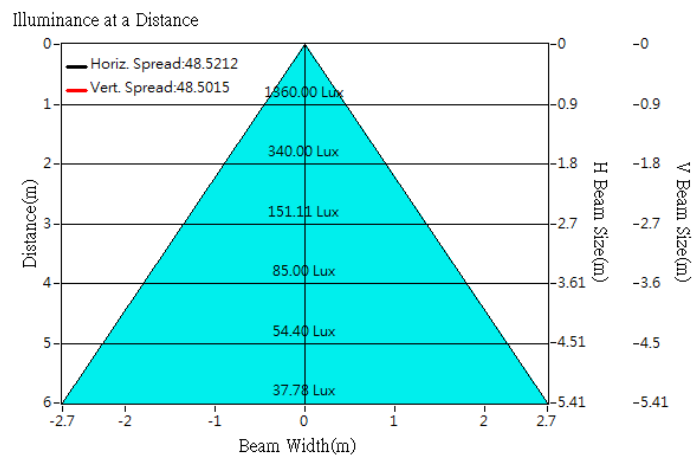
Optical Characteristics

Model Number	CKO-CH15-045021-1609	<p>"H" definition</p>
LED	CXM-9-AC40	
LES / LED Size	Φ 9.8 mm	
FWHM (D50)	49°	
Field Angle (D10)	96°	
H (distance)	2.5mm	
Dimension	Φ =45 mm, Thickness=20.9 mm	
Luminous Flux	1235 lm	
Material	PC / UL94V2	

cd/klm



Illuminance At Distances

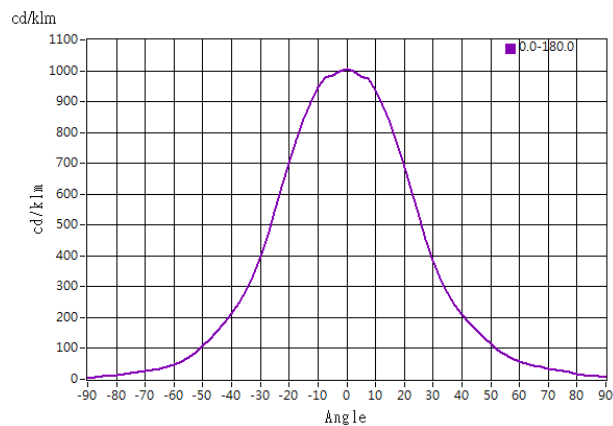




Optical Characteristics

Model Number	CKO-CH15-045021-1609	<p>"H" definition</p>
LED	CXM-11-AC30	
LES / LED Size	Φ 11.7 mm	
FWHM (D50)	52°	
Field Angle (D10)	103°	
H (distance)	2.5mm	
Dimension	Φ =45 mm, Thickness=20.9 mm	
Luminous Flux	1455 lm	
Material	PC / UL94V2	

cd/klm



Illuminance At Distances

