



## Product Model Number

CKO-CH15-045021-1650

### ✓ Model Number Definitions

**CKO-XXXX-XXXXXX-XXXX**

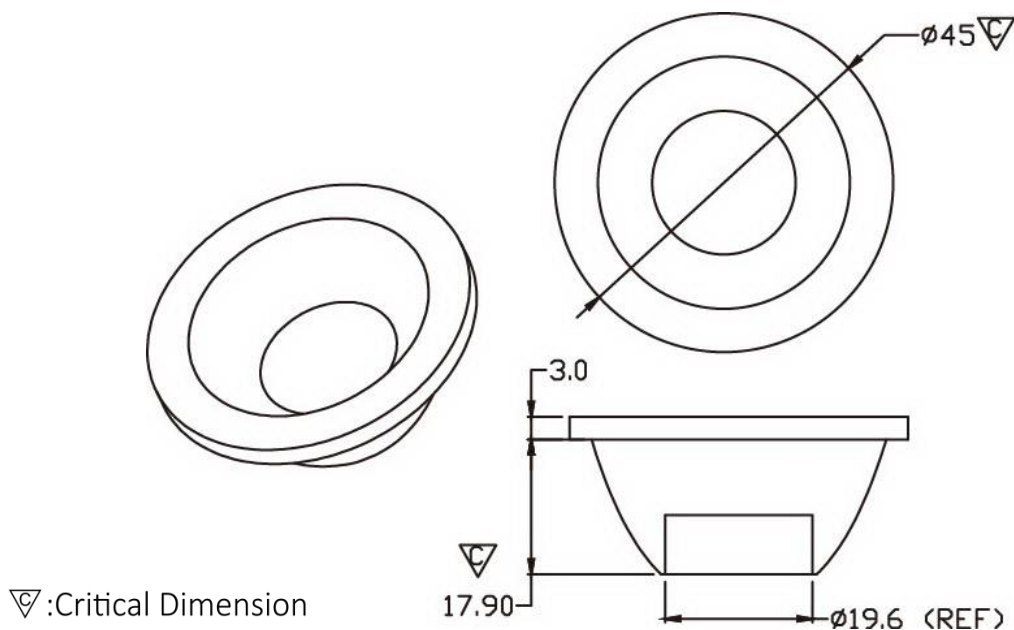


- A. Chun Kuang Optics Corp. Product
- B. Product Type: product abbreviation  
Ex:  
CH→CoB High Intensity  
CC→CoB Compact  
CS→Soft Shading for CoB LED  
HC→Holder for CoB LED

- C. Identity Code
- D. Lens / Fixture Size  
Ex: 075026=Φ75mm / Thickness=26mm (round up)
- C. Serial Numbers

The lens datasheet is applicable for **Lumileds LED**, that manufactured by Chun Kuang Optics Corp.

### ✓ Dimensions (mm) : Φ45 x 20.9





✓ **Optical Characteristics – Angle Performances**

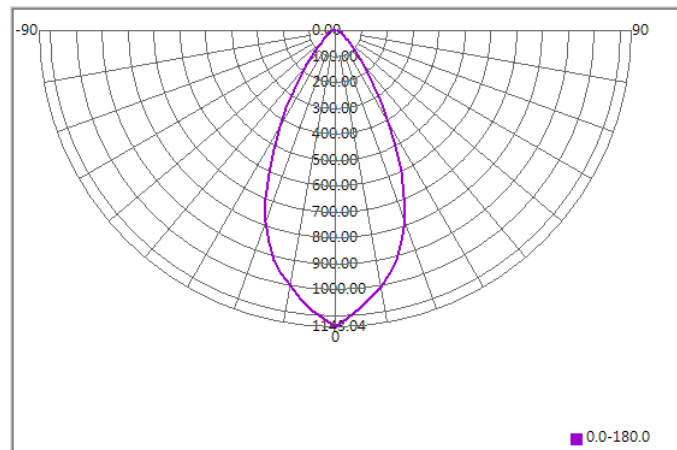
<b>Lumileds</b>	<b>LED LES (mm)</b>	<b>FWHM (degrees)</b>	<b>Field Angle (degrees)</b>
LUXEON 1202 HD	Φ6.5	52°	88°
LUXEON 1203	Φ9	53°	91°



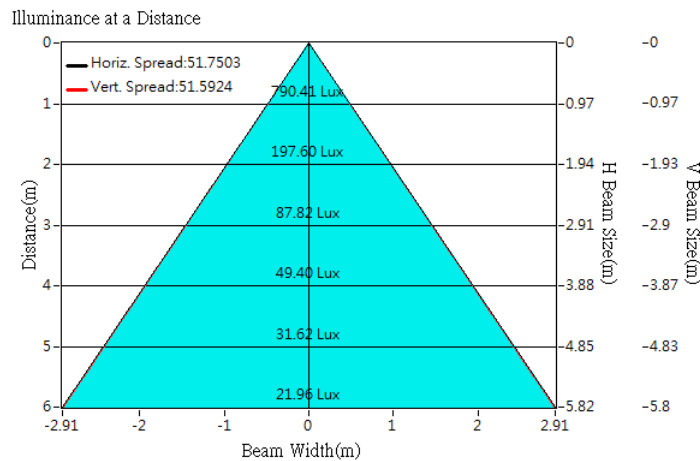
## Optical Characteristics

Model Number	CKO-CH15-045021-1650	<p>"H" definition</p> <p>LES CoB</p>
LED	<b>LUXEON 1202 HD</b>	
LES / LED Size	Φ 6.5 mm	
FWHM (D50)	52°	
Field Angle (D10)	88°	
H (distance)	2.5mm	
Dimension	Φ =45 mm, Thickness=20.9 mm	
Luminous Flux	691 lm	
Material	PC / UL94V2	

## cd/klm



## Illuminance At Distances

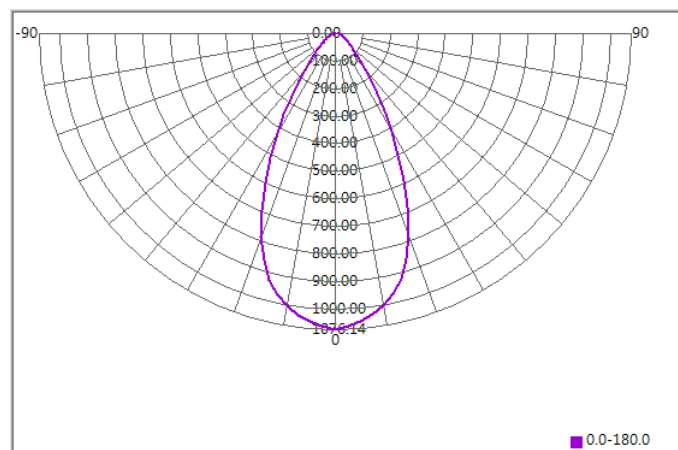




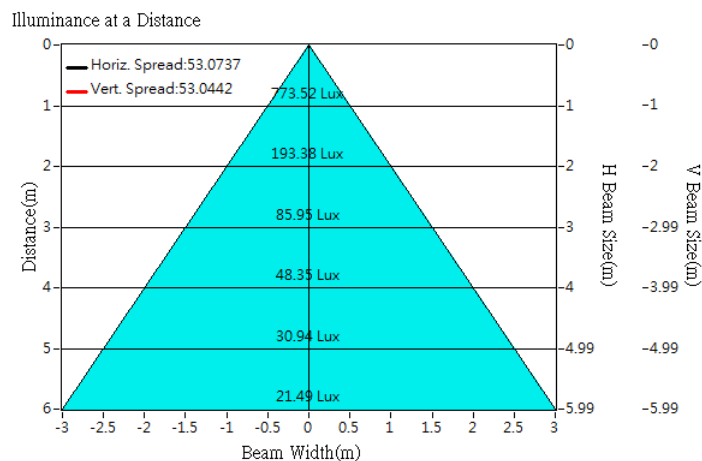
## Optical Characteristics

Model Number	CKO-CH15-045021-1650		<p>"H" definition</p>
LED	<b>LUXEON 1203</b>		
LES / LED Size	Φ 9 mm		
FWHM (D50)	53°		
Field Angle (D10)	91°		
H (distance)	2.5mm		
Dimension	Φ =45 mm, Thickness=20.9 mm		
Luminous Flux	719 lm	Measured @ 11 W	
Material	PC / UL94V2		

## cd/klm

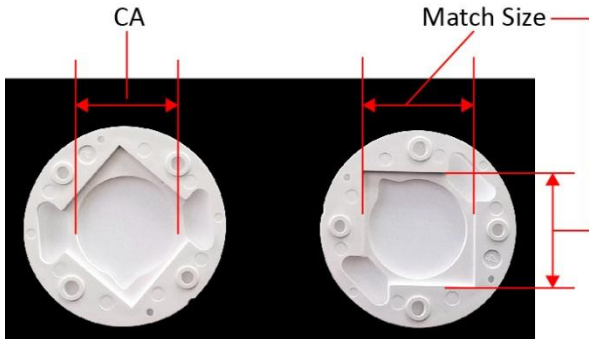


## Illuminance At Distances





## Lens Accessories - CoB Holder



Example of LES Area & LED Size Dimension Locations

Product Model	Match Size (mm)	CA (mm)	Material	Applicability
CKO-HC14-161911-0501	16.3 x 19.3	Φ 11.9	PBT	<b>Lumileds 1202</b>
CKO-HC14-161911-0501	16.3 x 19.3	Φ 11.9	PBT	<b>Lumileds 1203</b>
CKO-HC14-202419-0502	20.3 x 24.3	Φ 19.2	PBT	<b>Lumileds 1204</b>
CKO-HC14-202419-0502	20.3 x 24.3	Φ 19.2	PBT	<b>Lumileds 1205</b>