



## Product Model Number

CKO-CH15-045021-1650

### ✓ Model Number Definitions

**CKO-XXXX-XXXXXX-XXXX**

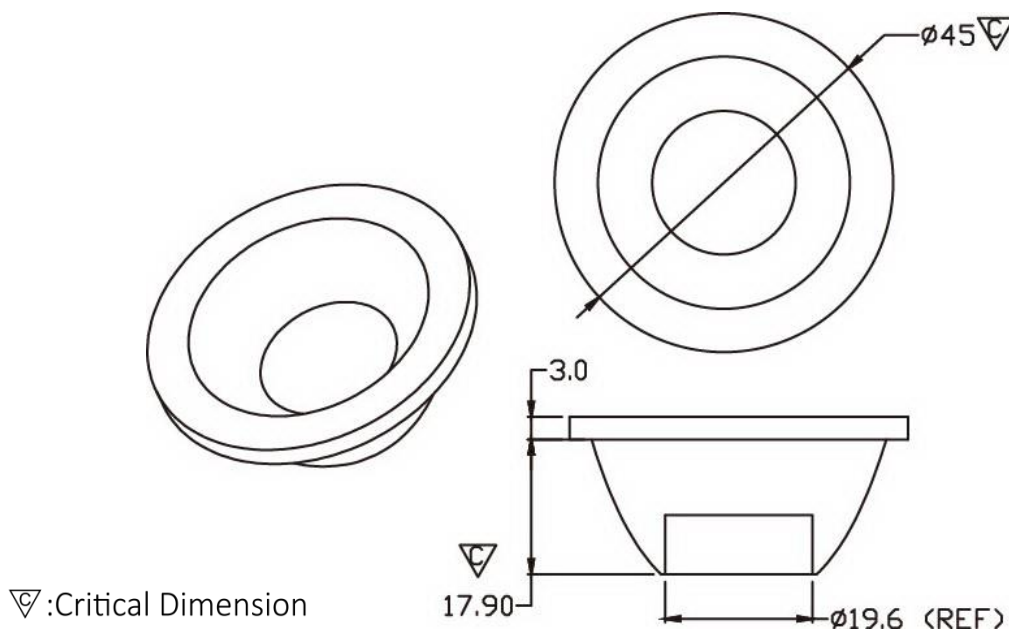


- A. Chun Kuang Optics Corp. Product
- B. Product Type: product abbreviation  
Ex:  
CH→CoB High Intensity  
CC→CoB Compact  
CS→Soft Shading for CoB LED  
HC→Holder for CoB LED

- C. Identity Code
- D. Lens / Fixture Size  
Ex: 075026=Φ75mm / Thickness=26mm (round up)
- C. Serial Numbers

The lens datasheet is applicable for **Luminus LED**, that manufactured by Chun Kuang Optics Corp.

### ✓ Dimensions (mm) : Φ45 x 20.9





✓ Optical Characteristics – Angle Performances

---

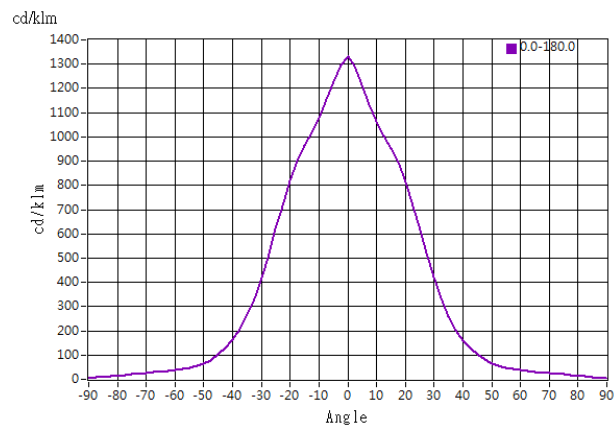
Luminus	LED LES (mm)	FWHM (degrees)	Field Angle (degrees)
CXM-3-AC40	Φ3.5	48°	84°
CXM-4-AC40	Φ4.5	50°	86°
CXM-6-AC40	Φ6.3	48°	85°
CXM-9-AC30	Φ9.6	52°	89°
CXM-9-AC40	Φ9.8	53°	91°
CXM-11-AC30	Φ11.7	53°	91°



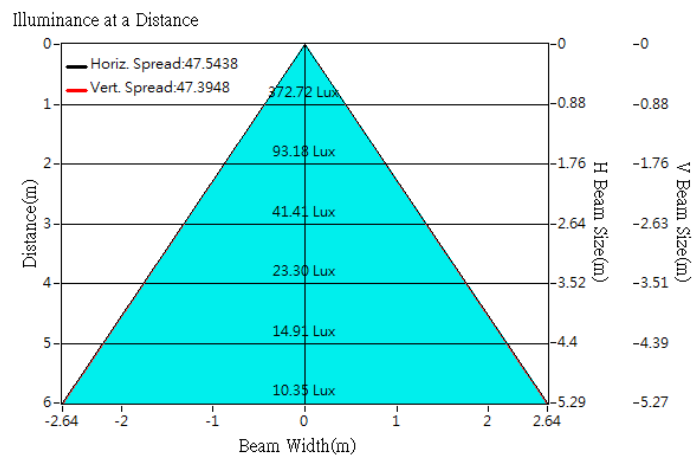
## Optical Characteristics

Model Number	CKO-CH15-045021-1650		<p>"H" definition</p>
LED	<b>CXM-3-AC40</b>		
LES / LED Size	Φ 3.5 mm		
FWHM (D50)	48°		
Field Angle (D10)	84°		
H (distance)	2.5mm		
Dimension	Φ =45 mm, Thickness=20.9 mm		
Luminous Flux	280 lm	Measured @ 2.8 W	
Material	PC / UL94V2		

## cd/klm



## Illuminance At Distances



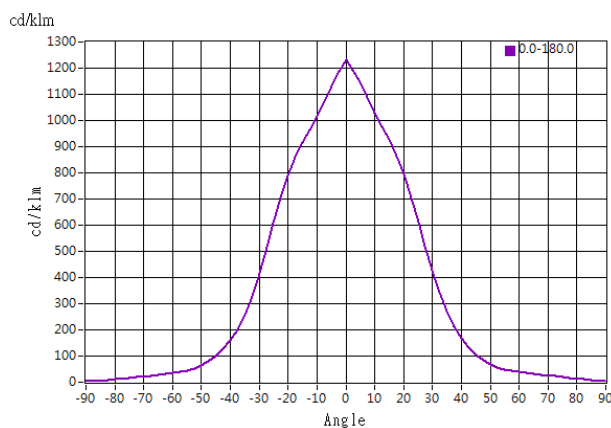




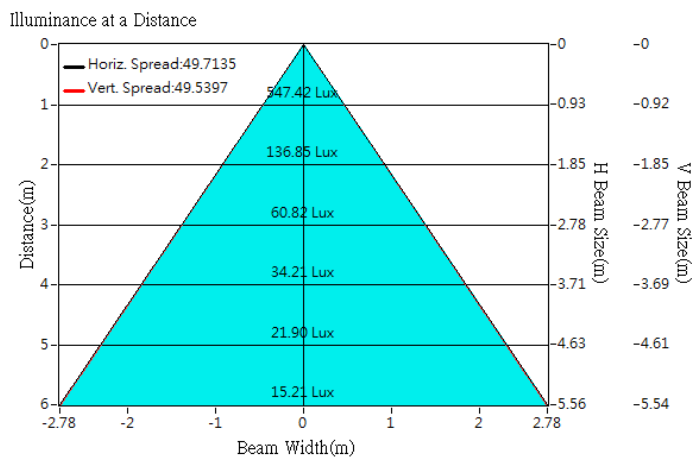
## Optical Characteristics

Model Number	CKO-CH15-045021-1650		<p>"H" definition</p>
LED	CXM-4-AC40		
LES / LED Size	Φ 4.5 mm		
FWHM (D50)	50°		
Field Angle (D10)	86°		
H (distance)	2.5mm		
Dimension	Φ =45 mm, Thickness=20.9 mm		
Luminous Flux	444 lm	Measured @ 4.0 W	
Material	PC / UL94V2		

## cd/klm

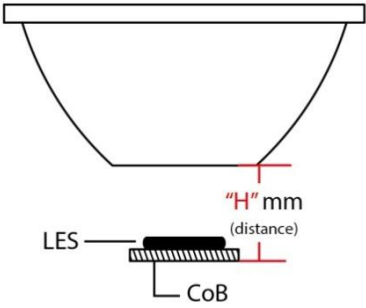


## Illuminance At Distances

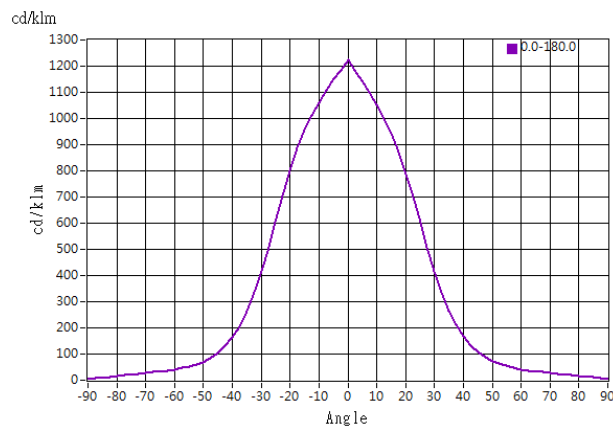




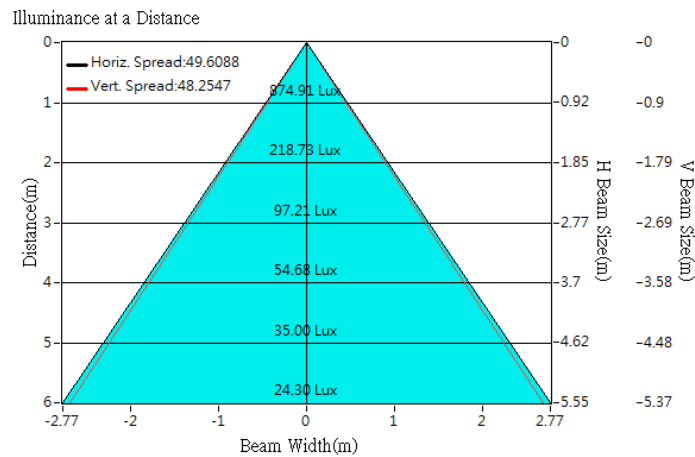
## Optical Characteristics

Model Number	CKO-CH15-045021-1650	<p>"H" definition</p> 
LED	<b>CXM-6-AC40</b>	
LES / LED Size	Φ 6.3 mm	
FWHM (D50)	48°	
Field Angle (D10)	85°	
H (distance)	2.5mm	
Dimension	Φ =45 mm, Thickness=20.9 mm	
Luminous Flux	716 lm Measured @ 5.5 W	
Material	PC / UL94V2	

## cd/klm



## Illuminance At Distances

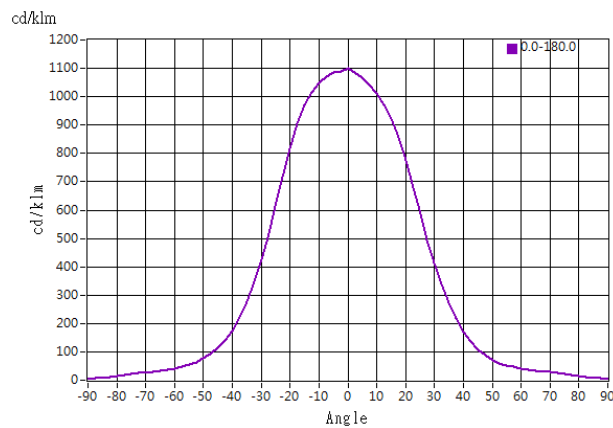




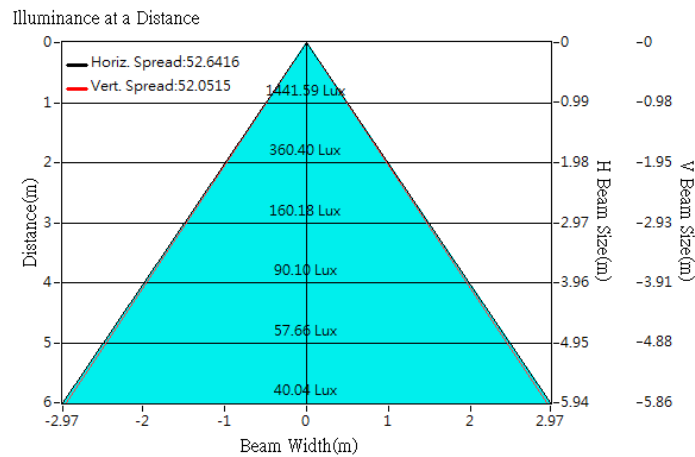
## Optical Characteristics

Model Number	CKO-CH15-045021-1650	<p>"H" definition</p> <p>LES CoB</p>
LED	<b>CXM-9-AC30</b>	
LES / LED Size	Φ 9.6 mm	
FWHM (D50)	52°	
Field Angle (D10)	89°	
H (distance)	2.5mm	
Dimension	Φ =45 mm, Thickness=20.9 mm	
Luminous Flux	1310 lm	
Material	PC / UL94V2	

## cd/klm



## Illuminance At Distances

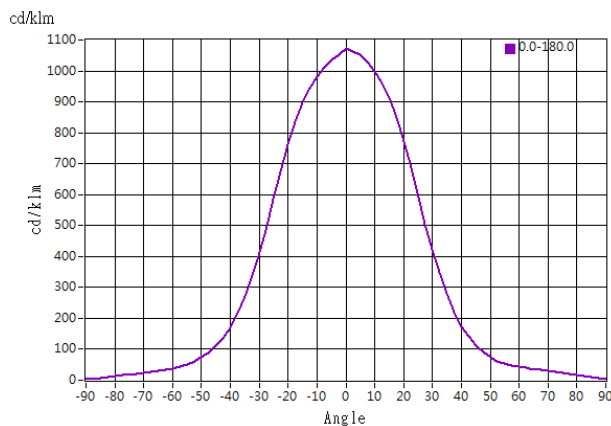




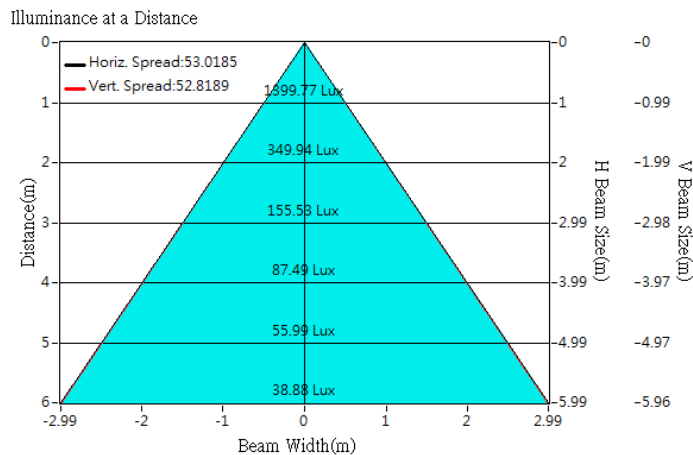
## Optical Characteristics

Model Number	CKO-CH15-045021-1650	<p>"H" definition</p> <p>LES CoB</p>
LED	<b>CXM-9-AC40</b>	
LES / LED Size	Φ 9.8 mm	
FWHM (D50)	53°	
Field Angle (D10)	91°	
H (distance)	2.5mm	
Dimension	Φ =45 mm, Thickness=20.9 mm	
Luminous Flux	1304 lm	
Material	PC / UL94V2	

## cd/klm



## Illuminance At Distances



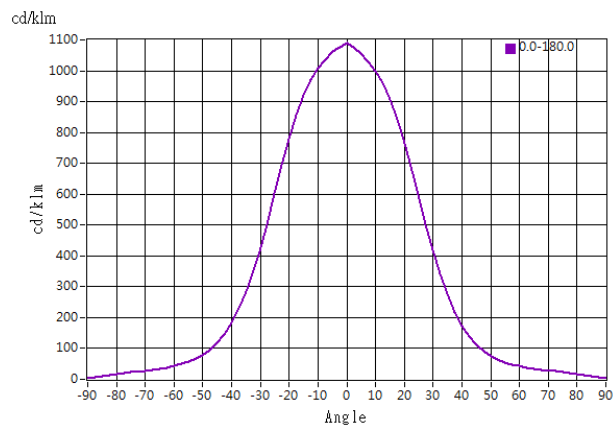




## Optical Characteristics

Model Number	CKO-CH15-045021-1650	<p>"H" definition</p>
LED	<b>CXM-11-AC30</b>	
LES / LED Size	Φ 11.7 mm	
FWHM (D50)	53°	
Field Angle (D10)	91°	
H (distance)	2.5mm	
Dimension	Φ =45 mm, Thickness=20.9 mm	
Luminous Flux	1572 lm	
Material	PC / UL94V2	

## cd/klm



## Illuminance At Distances

