



## Product Model Number

CKO-CH15-045021-1650

### ✓ Model Number Definitions

**CKO-XXXX-XXXXXX-XXXX**

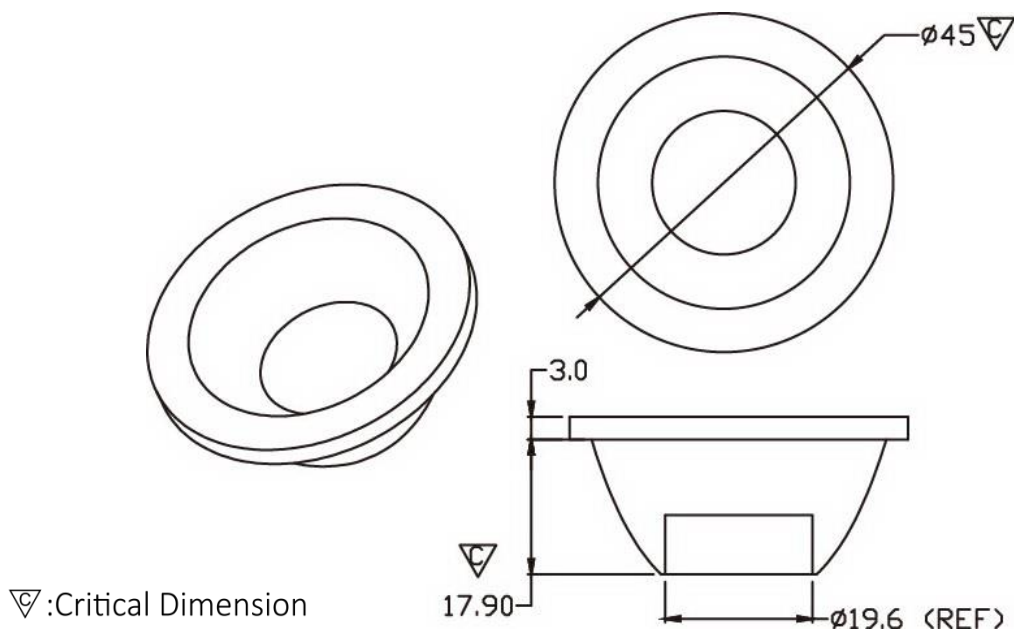


- A. Chun Kuang Optics Corp. Product
- B. Product Type: product abbreviation  
Ex:  
CH→CoB High Intensity  
CC→CoB Compact  
CS→Soft Shading for CoB LED  
HC→Holder for CoB LED

- C. Identity Code
- D. Lens / Fixture Size  
Ex: 075026=Φ75mm / Thickness=26mm (round up)
- C. Serial Numbers

The lens datasheet is applicable for **TRIDONIC LED**, that manufactured by Chun Kuang Optics Corp.

### ✓ Dimensions (mm) : Φ45 x 20.9



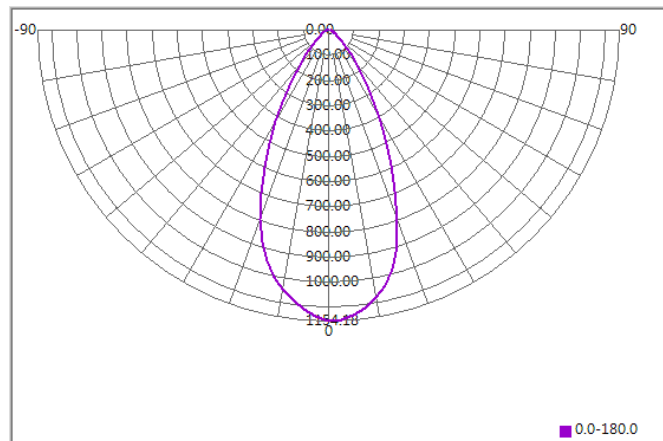




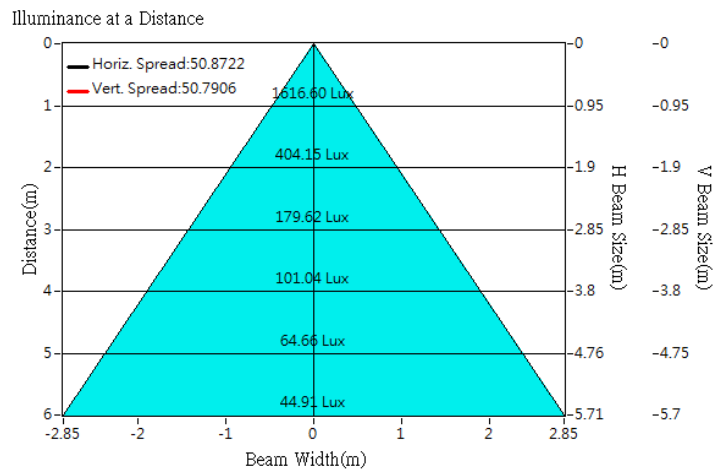
## Optical Characteristics

Model Number	CKO-CH15-045021-1650		<p>"H" definition</p>
LED	SLE G7 09mm 1200lm 940 R ADV		
LES / LED Size	Φ 9 mm		
FWHM (D50)	51°		
Field Angle (D10)	89°		
H (distance)	4 mm		
Dimension	Φ =45 mm, Thickness=20.9 mm		
Luminous Flux	1400 lm	Measured @ 12.3 W	
Material	PC / UL94V2		

## cd/klm



## Illuminance At Distances



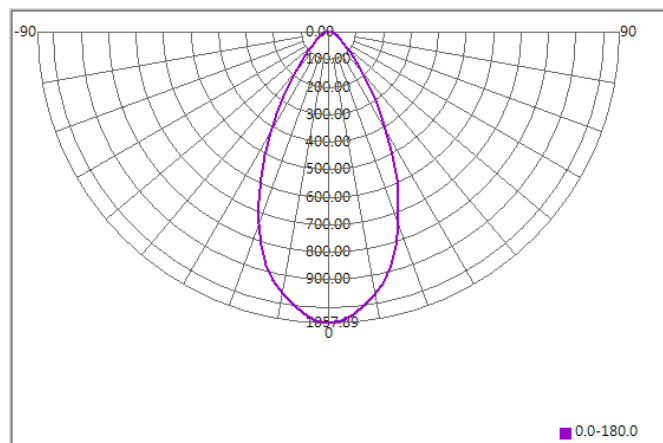




## Optical Characteristics

Model Number	CKO-CH15-045021-1650		<p>"H" definition</p>
LED	SLE G7 13mm 3000lm 930 R ADV		
LES / LED Size	Φ 13 mm		
FWHM (D50)	53°		
Field Angle (D10)	94°		
H (distance)	4 mm		
Dimension	Φ =45 mm, Thickness=20.9 mm		
Luminous Flux	1920 lm	Measured @ 17.9 W	
Material	PC / UL94V2		

## cd/klm



## Illuminance At Distances

