



Product Model Number

CKO-CH15-045021-1660

✓ Model Number Definitions

CKO-XXXX-XXXXXX-XXXX

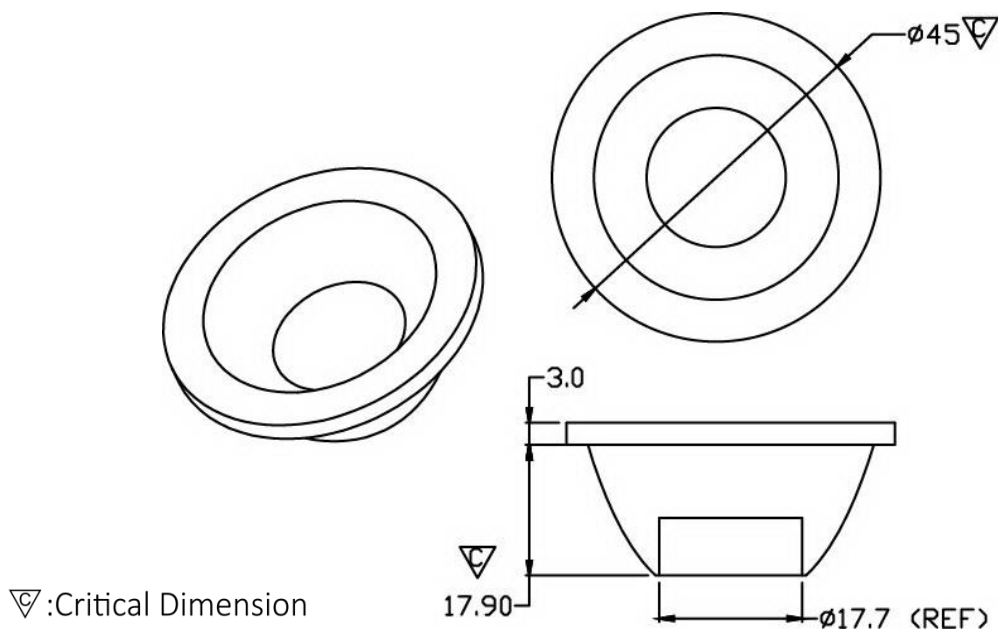


- A. Chun Kuang Optics Corp. Product
- B. Product Type: product abbreviation
Ex:
CH→CoB High Intensity
CC→CoB Compact
CS→Soft Shading for CoB LED
HC→Holder for CoB LED

- C. Identity Code
- D. Lens / Fixture Size
Ex: 075026=Φ75mm / Thickness=26mm (round up)
- C. Serial Numbers

The lens datasheet is applicable for **Lumileds LED**, that manufactured by Chun Kuang Optics Corp.

✓ Dimensions (mm) : Φ45 x 20.9

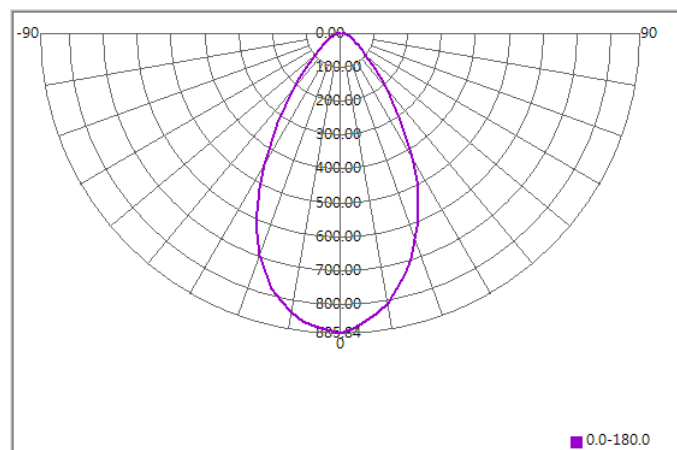




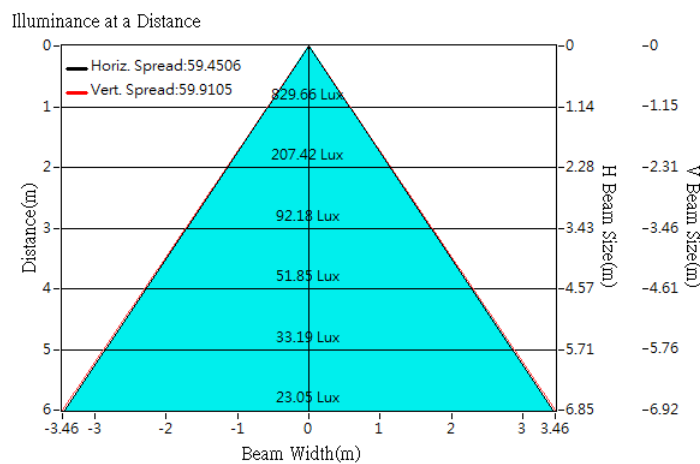
Optical Characteristics

Model Number	CKO-CH15-045021-1660	<p>"H" definition</p> <p>LES CoB</p>
LED	LUXEON 1202 HD	
LES / LED Size	Φ 6.5 mm	
FWHM (D50)	60°	
Field Angle (D10)	102°	
H (distance)	2.5mm	
Dimension	Φ =45 mm, Thickness=20.9 mm	
Luminous Flux	937 lm	
Material	PC / UL94V2	

cd/klm



Illuminance At Distances

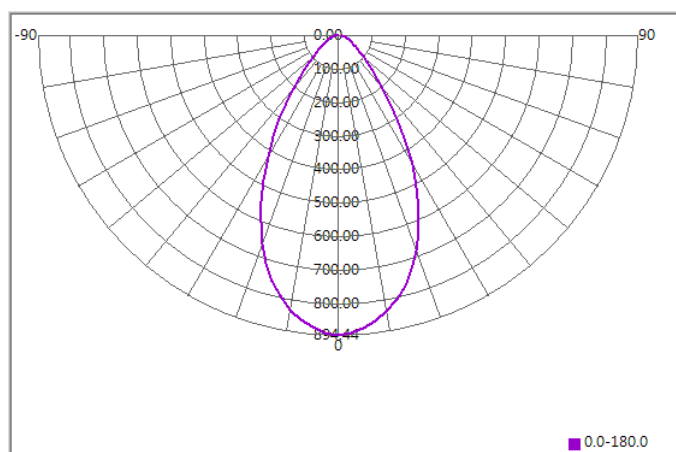




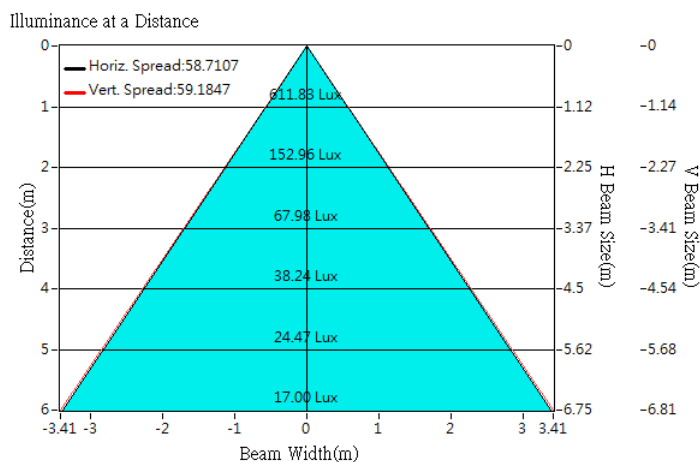
Optical Characteristics

Model Number	CKO-CH15-045021-1660	<p>"H" definition</p> <p>LES CoB</p>
LED	LUXEON 1203	
LES / LED Size	Φ 9 mm	
FWHM (D50)	59°	
Field Angle (D10)	102°	
H (distance)	2.5mm	
Dimension	Φ =45 mm, Thickness=20.9 mm	
Luminous Flux	684 lm	
Material	PC / UL94V2	

cd/klm

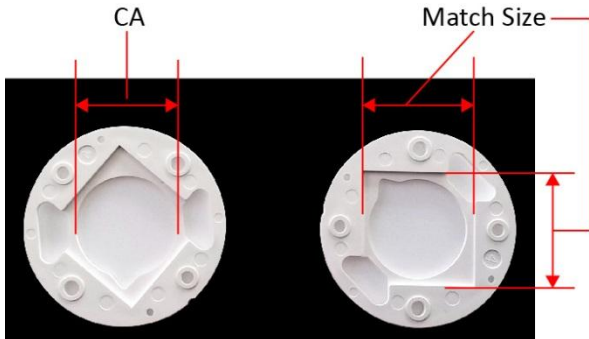


Illuminance At Distances





Lens Accessories - CoB Holder



Example of LES Area & LED Size Dimension Locations

Product Model	Match Size (mm)	CA (mm)	Material	Applicability
CKO-HC14-161911-0501	16.3 x 19.3	Φ 11.9	PBT	Lumileds 1202
CKO-HC14-161911-0501	16.3 x 19.3	Φ 11.9	PBT	Lumileds 1203
CKO-HC14-202419-0502	20.3 x 24.3	Φ 19.2	PBT	Lumileds 1204
CKO-HC14-202419-0502	20.3 x 24.3	Φ 19.2	PBT	Lumileds 1205