



Product Model Number

CKO-CH15-060027-4301

✓ Model Number Definitions

CKO-XXXX-XXXXXX-XXXX

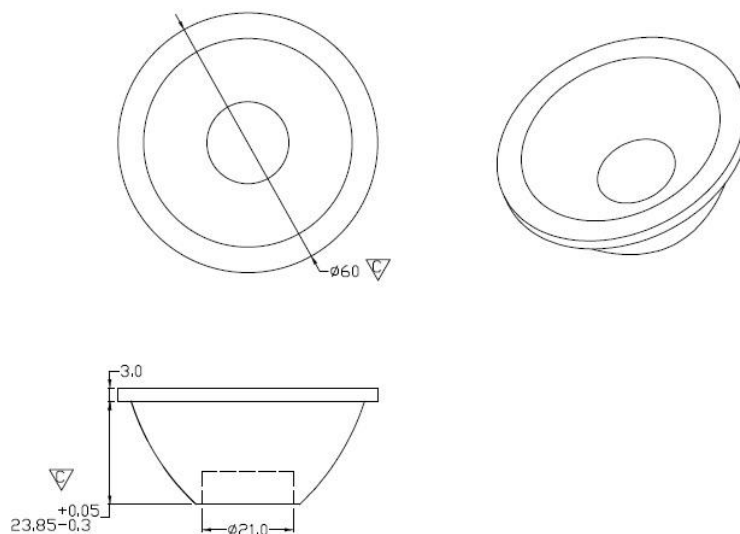


- A. Chun Kuang Optics Corp. Product
- B. Product Type: product abbreviation
Ex:
CH→CoB High Intensity
CC→CoB Compact
CS→Soft Shading for CoB LED
HC→Holder for CoB LED

- C. Identity Code
- D. Lens / Fixture Size
Ex: 075026=Φ75mm / Thickness=26mm (round up)
- C. Serial Numbers

The lens datasheet is applicable for **Citizen LED**, that manufactured by Chun Kuang Optics Corp.

✓ Dimensions (mm) : Φ60 x 26.85



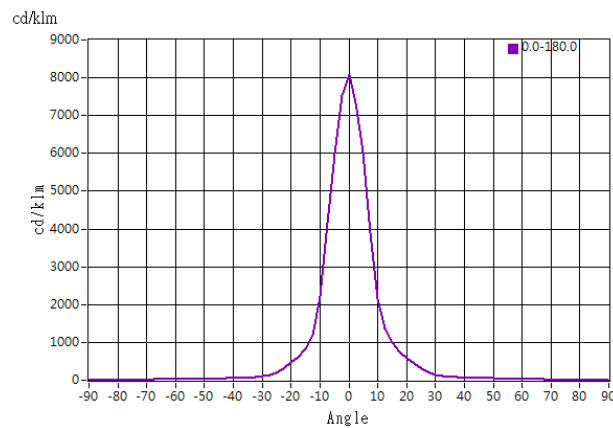
▽:Critical Dimension



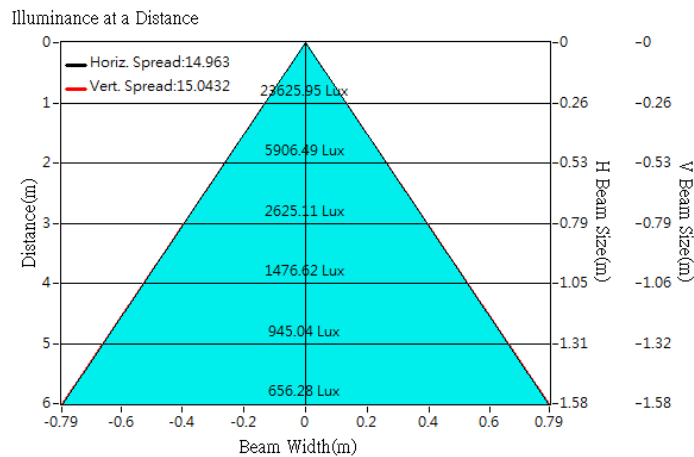
Optical Characteristics

Model Number	CKO-CH15-060027-4301		<p>"H" definition</p>
LED	CLU 711		
LES / LED Size	Φ 8.5 mm		
FWHM (D50)	14°		
Field Angle (D10)	32°		
H (distance)	3.65 mm		
Dimension	Φ =60 mm, Thickness=26.85 mm		
Luminous Flux	2917 lm	Measured @ 25.6 W	
Material	PC / UL94V2		

cd/klm

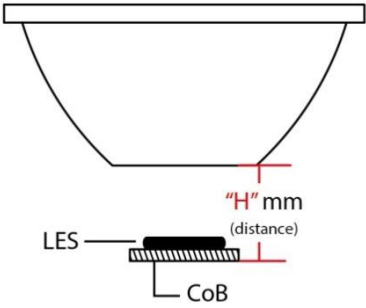


Illuminance At Distances

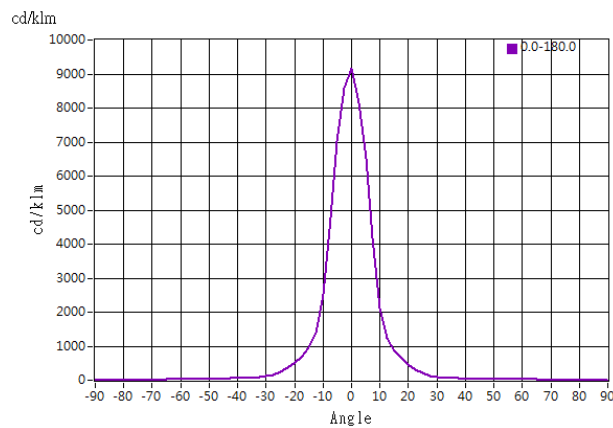




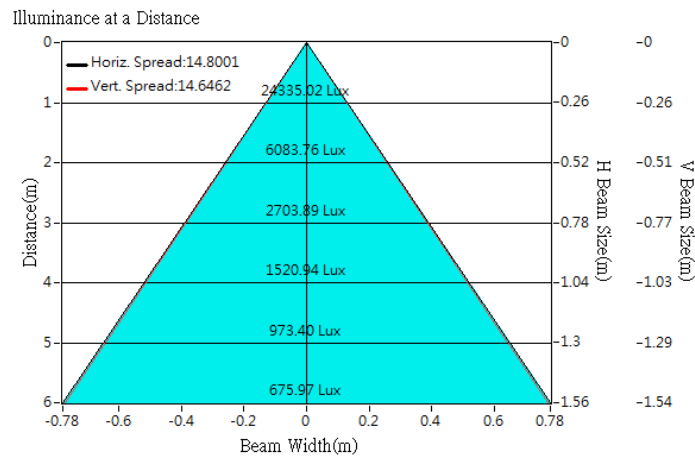
Optical Characteristics

Model Number	CKO-CH15-060027-4301	<p>"H" definition</p> 
LED	CLU 710	
LES / LED Size	Φ 8.5 mm	
FWHM (D50)	14°	
Field Angle (D10)	30°	
H (distance)	3.65 mm	
Dimension	Φ =60 mm, Thickness=26.85 mm	
Luminous Flux	2653 lm	
Material	PC / UL94V2	

cd/klm



Illuminance At Distances

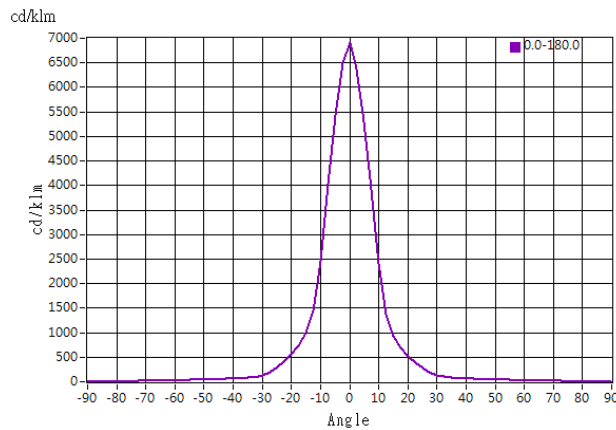




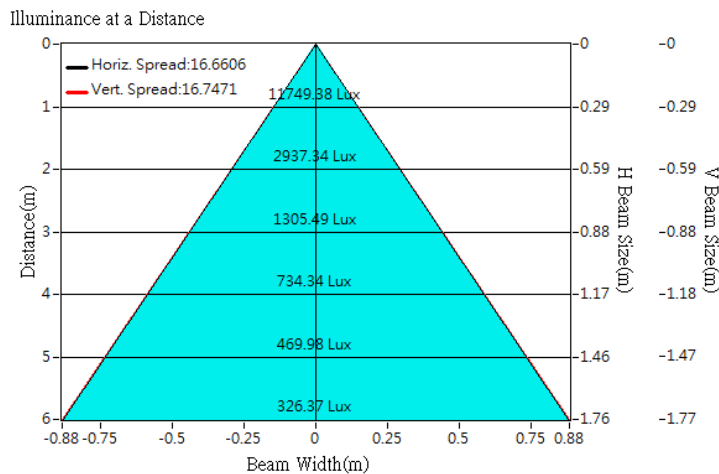
Optical Characteristics

Model Number	CKO-CH15-060027-4301		<p>"H" definition</p> <p>LES CoB</p>
LED	CLU 028		
LES / LED Size	Φ 9.8 mm		
FWHM (D50)	16°		
Field Angle (D10)	36°		
H (distance)	3.65 mm		
Dimension	Φ =60 mm, Thickness=26.85 mm		
Luminous Flux	1700 lm	Measured @ 12.7 W	
Material	PC / UL94V2		

cd/klm



Illuminance At Distances

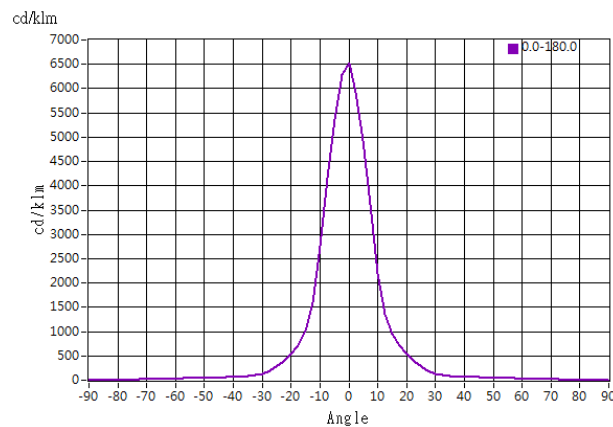




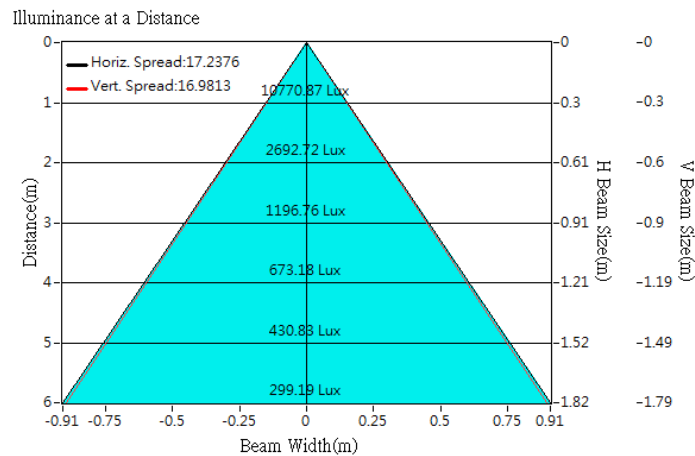
Optical Characteristics

Model Number	CKO-CH15-060027-4301	<p>"H" definition</p> <p>LES CoB</p>
LED	CLU 026	
LES / LED Size	Φ 9.8 mm	
FWHM (D50)	17°	
Field Angle (D10)	37°	
H (distance)	3.65 mm	
Dimension	Φ =60 mm, Thickness=26.85 mm	
Luminous Flux	1649 lm	
Material	PC / UL94V2	

cd/klm



Illuminance At Distances

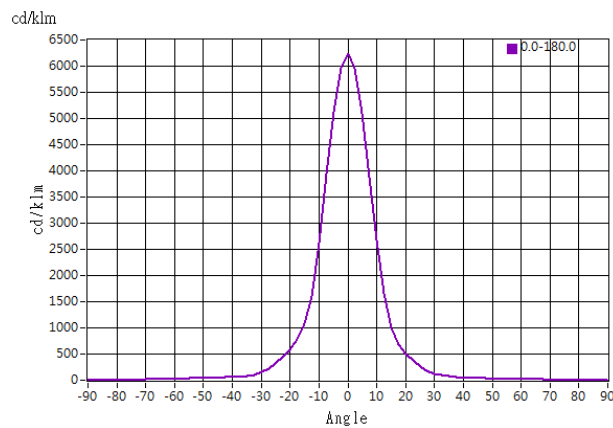




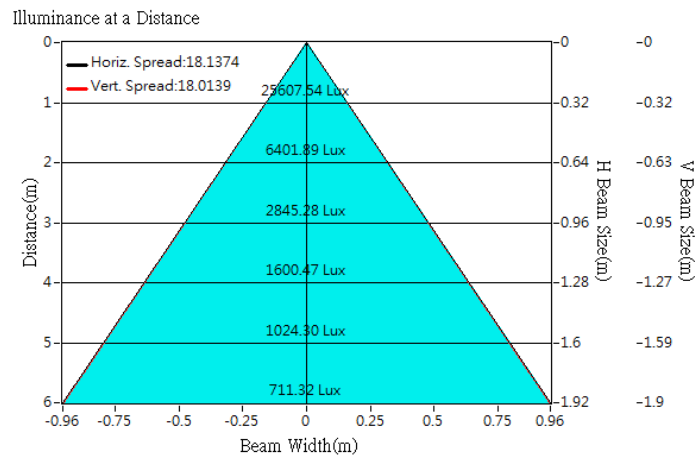
Optical Characteristics

Model Number	CKO-CH15-060027-4301		<p>"H" definition</p>
LED	CLU 721		
LES / LED Size	Φ 11 mm		
FWHM (D50)	18°		
Field Angle (D10)	38°		
H (distance)	3.65 mm		
Dimension	Φ =60 mm, Thickness=26.85 mm		
Luminous Flux	4107 lm	Measured @ 38.7 W	
Material	PC / UL94V2		

cd/klm

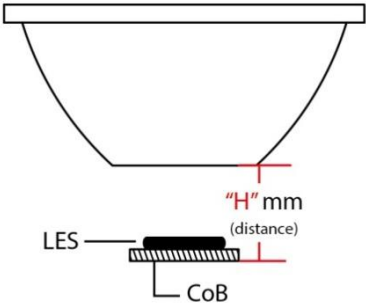


Illuminance At Distances

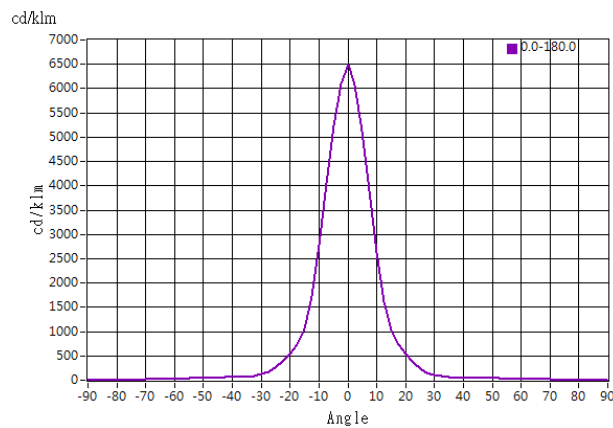




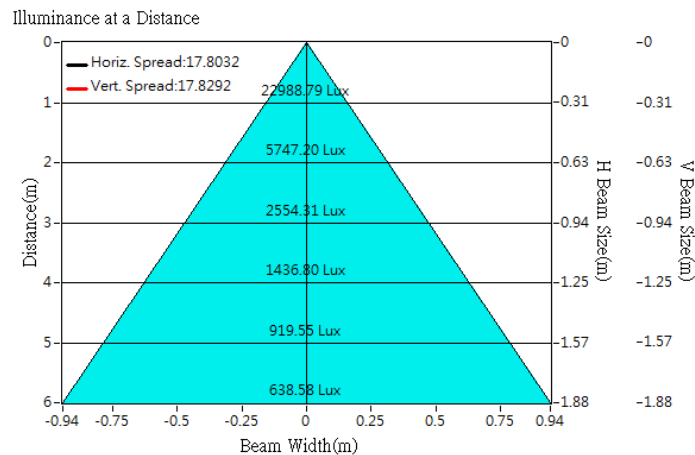
Optical Characteristics

Model Number	CKO-CH15-060027-4301		<p>"H" definition</p> 
LED	CLU 720		
LES / LED Size	Φ 11 mm		
FWHM (D50)	17°		
Field Angle (D10)	37°		
H (distance)	3.65 mm		
Dimension	Φ =60 mm, Thickness=26.85 mm		
Luminous Flux	3529 lm	Measured @ 38.4 W	
Material	PC / UL94V2		

cd/klm

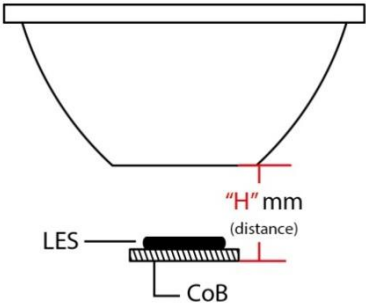


Illuminance At Distances

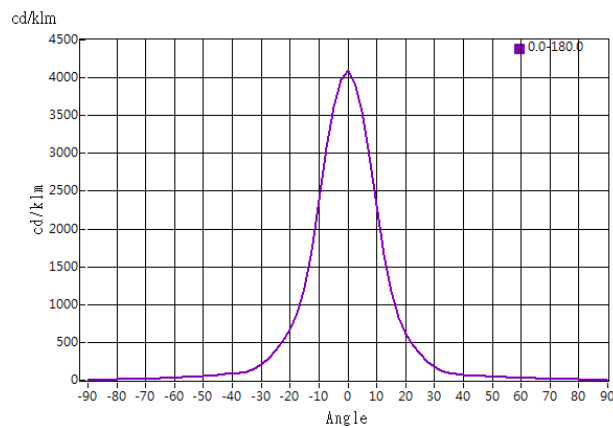




Optical Characteristics

Model Number	CKO-CH15-060027-4301	<p>"H" definition</p> 
LED	CLU 038	
LES / LED Size	Φ 14.5 mm	
FWHM (D50)	22°	
Field Angle (D10)	48°	
H (distance)	3.65 mm	
Dimension	Φ =60 mm, Thickness=26.85 mm	
Luminous Flux	2784 lm Measured @ 25.4 W	
Material	PC / UL94V2	

cd/klm



Illuminance At Distances

