



Product Model Number

CKO-CH15-060027-4301

✓ Model Number Definitions

CKO-XXXX-XXXXXX-XXXX

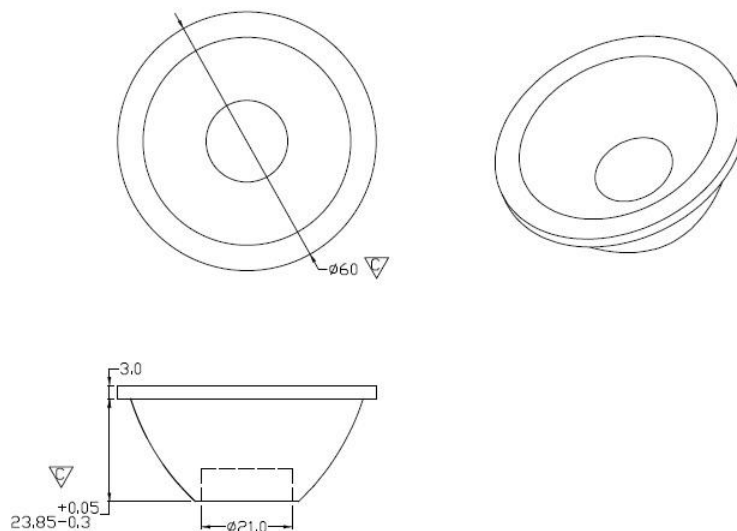


- A. Chun Kuang Optics Corp. Product
- B. Product Type: product abbreviation
Ex:
CH→CoB High Intensity
CC→CoB Compact
CS→Soft Shading for CoB LED
HC→Holder for CoB LED

- C. Identity Code
- D. Lens / Fixture Size
Ex: 075026=Φ75mm / Thickness=26mm (round up)
- E. Serial Numbers

The lens datasheet is applicable for **TRIDONIC LED**, that manufactured by Chun Kuang Optics Corp.

✓ Dimensions (mm) : Φ60 x 26.85



▽:Critical Dimension



✓ Optical Characteristics – Angle Performances

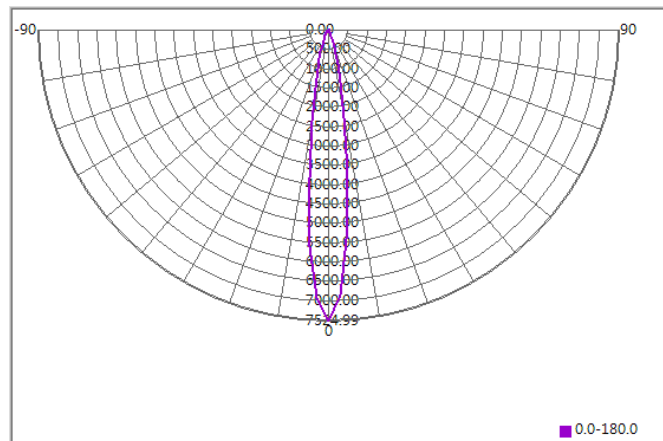
TRIDONIC	LED LES (mm)	FWHM (degrees)	Field Angle (degrees)
SLE G7 09mm 1200lm 940 R ADV	Φ9	15°	34°
SLE G7 13mm 3000lm 930 R ADV	Φ13	22°	47°
SLE G7 15mm 4000lm 840 R ADV	Φ15	25°	52°
SLE G7 17mm 5000lm 830 R ADV	Φ17	28°	58°



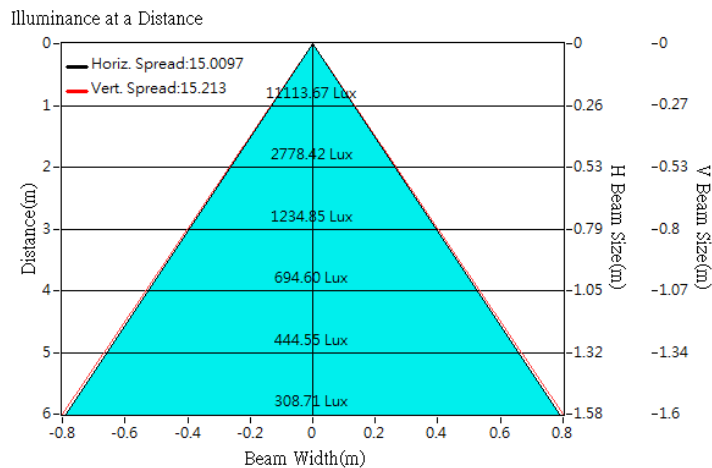
Optical Characteristics

Model Number	CKO-CH15-060027-4301		<p>"H" definition</p> <p>LES CoB</p>
LED	SLE G7 09mm 1200lm 940 R ADV		
LES / LED Size	Φ 9 mm		
FWHM (D50)	15°		
Field Angle (D10)	34°		
H (distance)	3.65mm		
Dimension	Φ =60 mm, Thickness=26.85 mm		
Luminous Flux	1477 lm	Measured @ 12.3 W	
Material	PC / UL94V2		

cd/klm

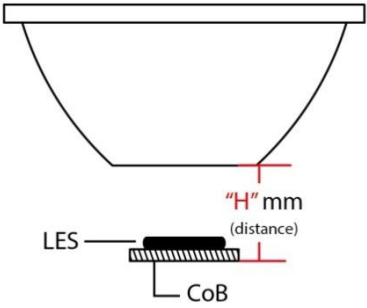


Illuminance At Distances

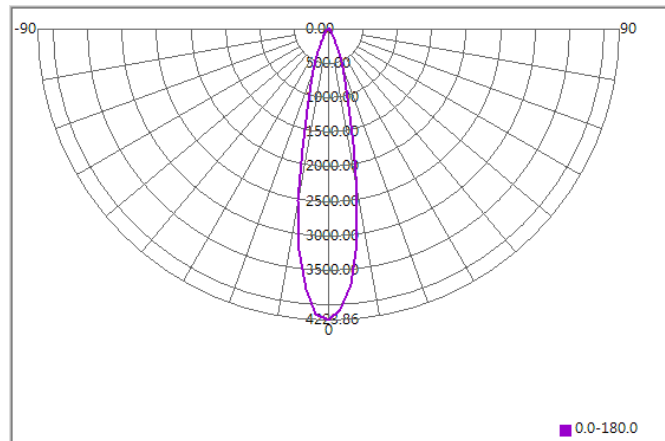




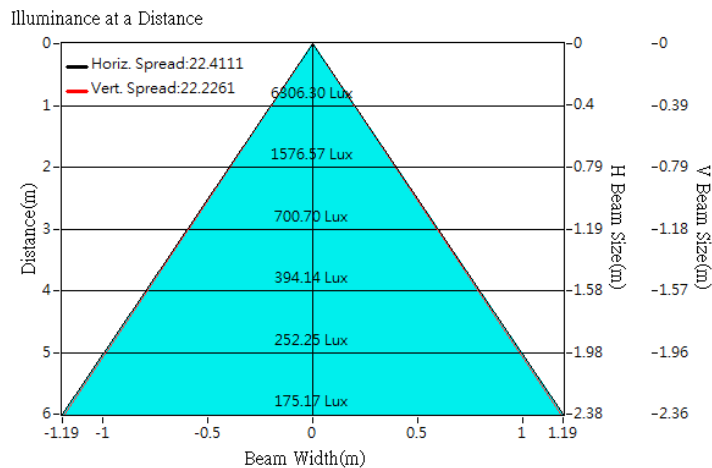
Optical Characteristics

Model Number	CKO-CH15-060027-4301		<p>"H" definition</p> 
LED	SLE G7 13mm 3000lm 930 R ADV		
LES / LED Size	Φ 13 mm		
FWHM (D50)	22°		
Field Angle (D10)	47°		
H (distance)	3.65mm		
Dimension	Φ =60 mm, Thickness=26.85 mm		
Luminous Flux	1493 lm	Measured @ 11.7 W	
Material	PC / UL94V2		

cd/klm



Illuminance At Distances

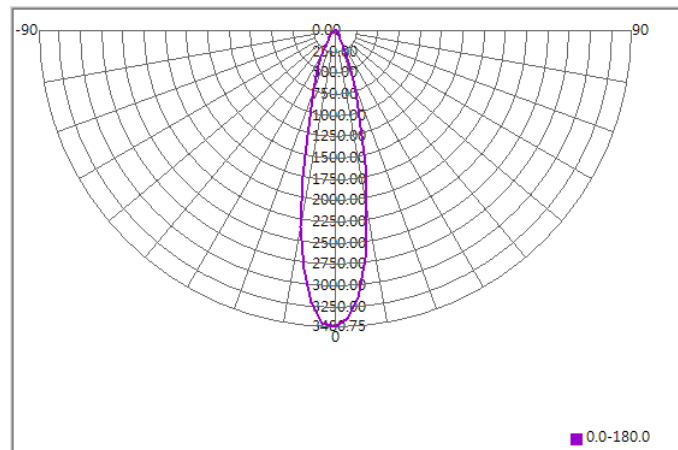




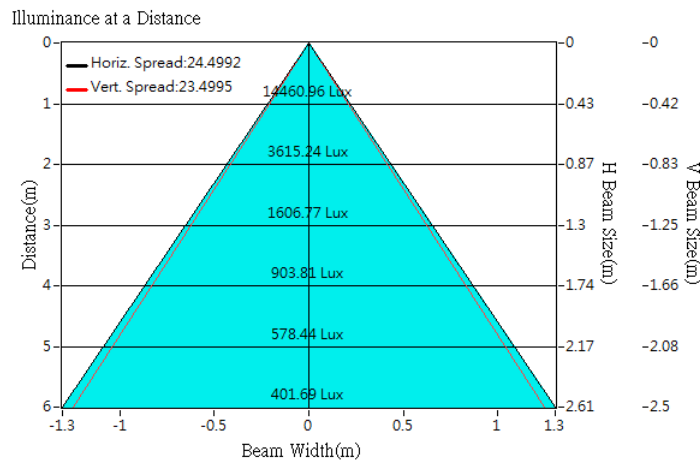
Optical Characteristics

Model Number	CKO-CH15-060027-4301		<p>"H" definition</p> <p>LES</p> <p>CoB</p>
LED	SLE G7 15mm 4000lm 840 R ADV		
LES / LED Size	Φ 15 mm		
FWHM (D50)	25°		
Field Angle (D10)	52°		
H (distance)	3.65mm		
Dimension	Φ =60 mm, Thickness=26.85 mm		
Luminous Flux	4154 lm	Measured @ 32.7 W	
Material	PC / UL94V2		

cd/klm



Illuminance At Distances

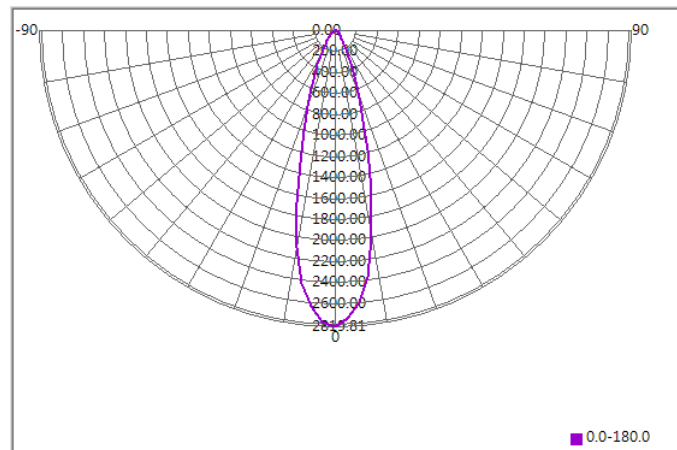




Optical Characteristics

Model Number	CKO-CH15-060027-4301		<p>"H" definition</p>
LED	SLE G7 17mm 5000lm 830 R ADV		
LES / LED Size	Φ 17 mm		
FWHM (D50)	28°		
Field Angle (D10)	58°		
H (distance)	3.65mm		
Dimension	Φ =60 mm, Thickness=26.85 mm		
Luminous Flux	4771 lm	Measured @ 38.5 W	
Material	PC / UL94V2		

cd/klm



Illuminance At Distances

