



Product Model Number

CKO-CH15-060027-4304

✓ Model Number Definitions

CKO-XXXX-XXXXXX-XXXX

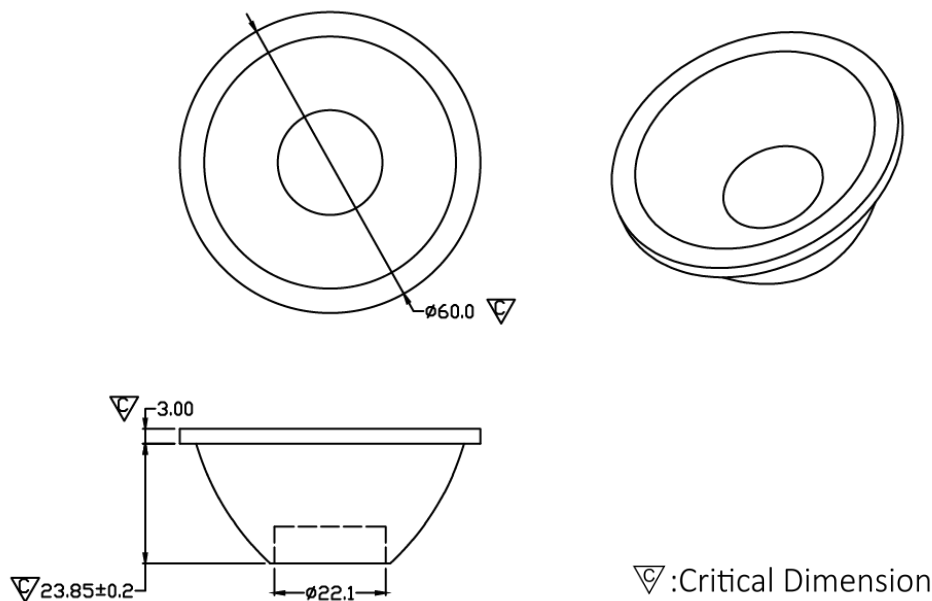


- A. Chun Kuang Optics Corp. Product
- B. Product Type: product abbreviation
Ex:
CH→CoB High Intensity
CC→CoB Compact
CS→Soft Shading for CoB LED
HC→Holder for CoB LED

- C. Identity Code
- D. Lens / Fixture Size
Ex: 075026=Φ75mm / Thickness=26mm (round up)
- C. Serial Numbers

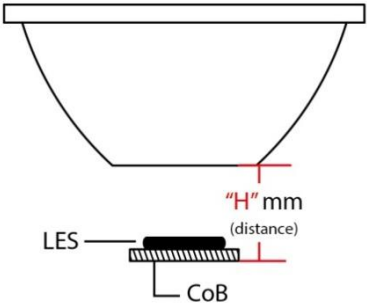
The lens datasheet is applicable for **Citizen LED**, that manufactured by Chun Kuang Optics Corp.

✓ Dimensions (mm) : Φ60 x 26.85

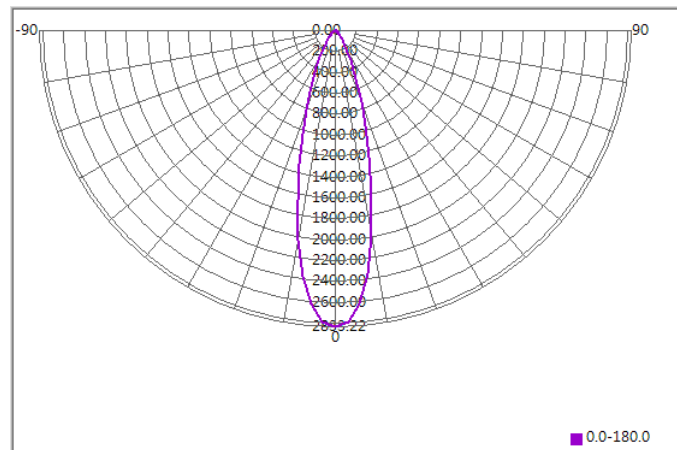




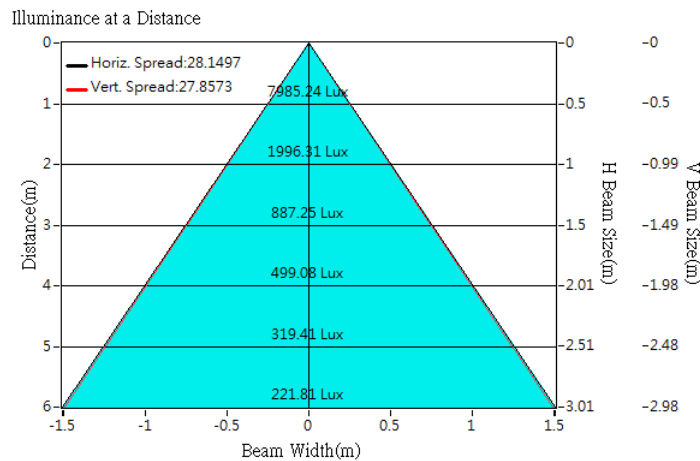
Optical Characteristics

Model Number	CKO-CH15-060027-4304		<p>"H" definition</p> 
LED	CLU 711		
LES / LED Size	Φ 8.5 mm		
FWHM (D50)	28°		
Field Angle (D10)	59°		
H (distance)	3.65mm		
Dimension	Φ =60 mm, Thickness=26.85 mm		
Luminous Flux	2818 lm	Measured @ 25.7 W	
Material	PC / UL94V2		

cd/klm



Illuminance At Distances

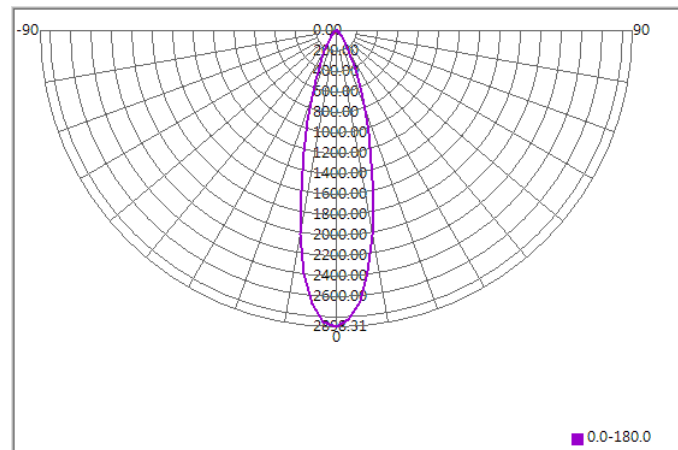




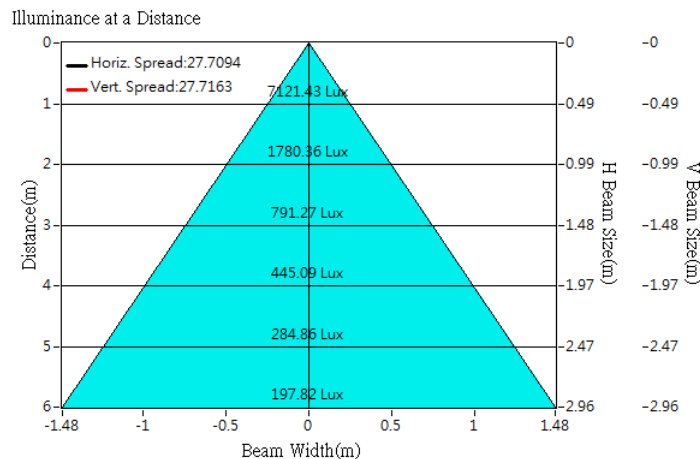
Optical Characteristics

Model Number	CKO-CH15-060027-4304		<p>"H" definition</p> <p>LES CoB</p>
LED	CLU 710		
LES / LED Size	Φ 8.5 mm		
FWHM (D50)	28°		
Field Angle (D10)	58°		
H (distance)	3.65mm		
Dimension	Φ =60 mm, Thickness=26.85 mm		
Luminous Flux	2457 lm	Measured @ 26.3 W	
Material	PC / UL94V2		

cd/klm



Illuminance At Distances

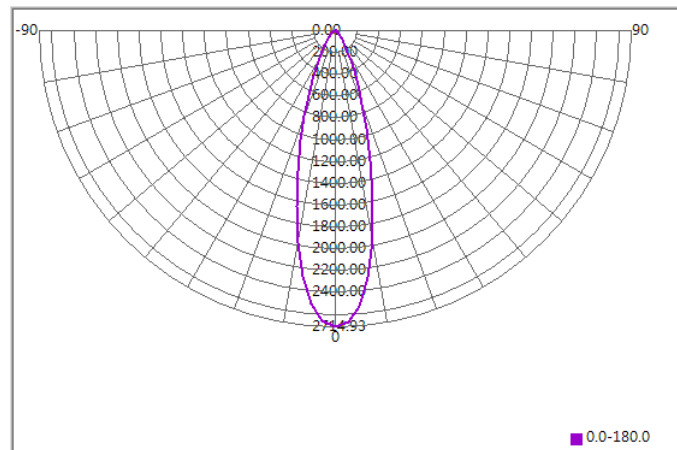




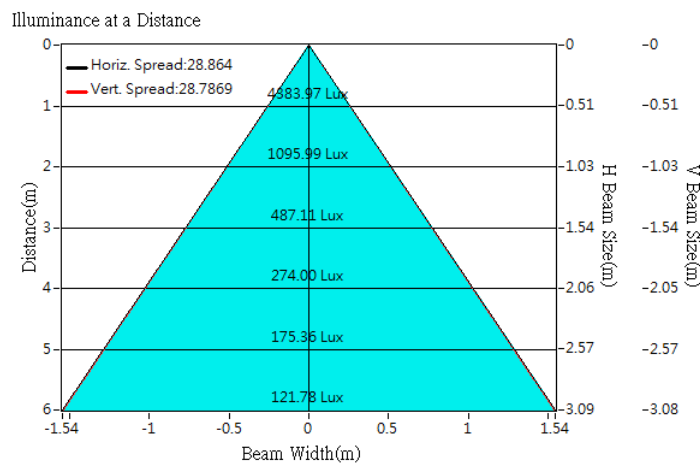
Optical Characteristics

Model Number	CKO-CH15-060027-4304		<p>"H" definition</p> <p>LES CoB</p>
LED	CLU 028		
LES / LED Size	Φ 9.8 mm		
FWHM (D50)	29°		
Field Angle (D10)	59°		
H (distance)	3.65mm		
Dimension	Φ =60 mm, Thickness=26.85 mm		
Luminous Flux	1615 lm	Measured @ 12.6 W	
Material	PC / UL94V2		

cd/klm



Illuminance At Distances

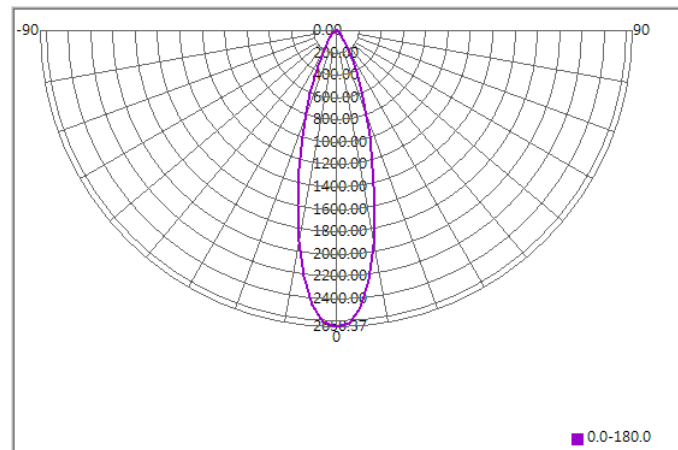




Optical Characteristics

Model Number	CKO-CH15-060027-4304	<p>"H" definition</p> <p>LES CoB</p>	
LED	CLU 026		
LES / LED Size	Φ 9.8 mm		
FWHM (D50)	29°		
Field Angle (D10)	60°		
H (distance)	3.65mm		
Dimension	Φ =60 mm, Thickness=26.85 mm		
Luminous Flux	1568 lm		Measured @ 12.5 W
Material	PC / UL94V2		

cd/klm



Illuminance At Distances

