



Product Model Number

CKO-CH15-060027-4307

✓ Model Number Definitions

CKO-XXXX-XXXXXX-XXXX

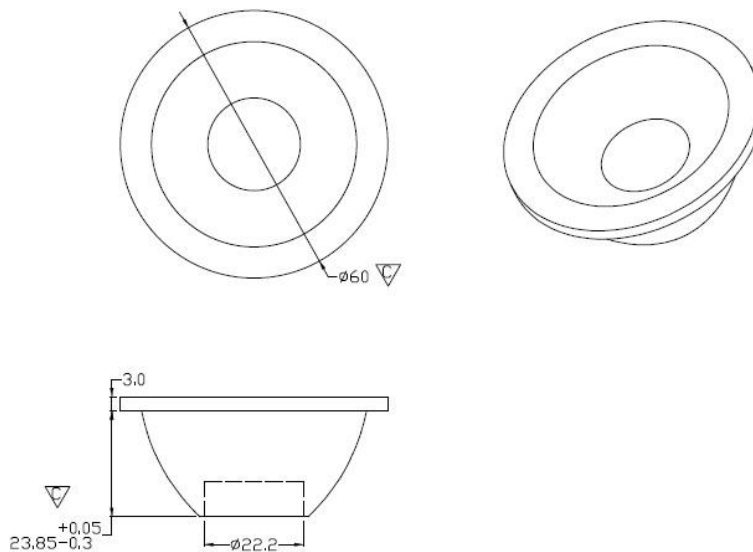


- A. Chun Kuang Optics Corp. Product
- B. Product Type: product abbreviation
Ex:
CH→CoB High Intensity
CC→CoB Compact
CS→Soft Shading for CoB LED
HC→Holder for CoB LED

- C. Identity Code
- D. Lens / Fixture Size
Ex: 075026=Φ75mm / Thickness=26mm (round up)
- C. Serial Numbers

The lens datasheet is applicable for **Lumileds LED**, that manufactured by Chun Kuang Optics Corp.

✓ Dimensions (mm) : Φ60 x 26.85



▽:Critical Dimension

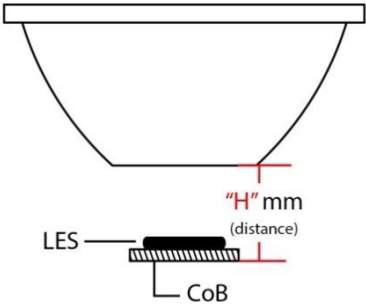


✓ Optical Characteristics – Angle Performances

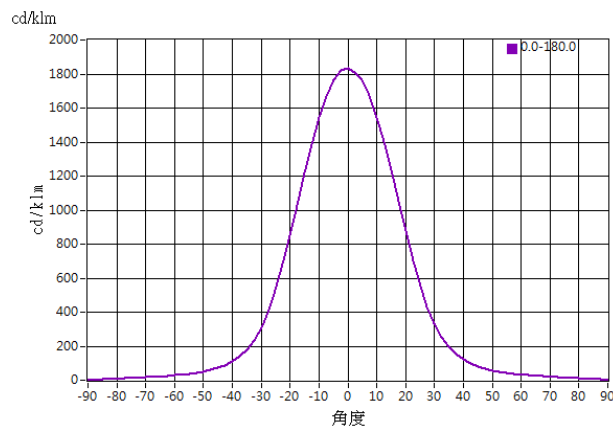
Lumileds	LED LES (mm)	FWHM (degrees)	Field Angle (degrees)
LUXEON 1203	Φ9	39°	71°
LUXEON 1204	Φ13	42°	76°
LUXEON 1205	Φ13	42°	77°



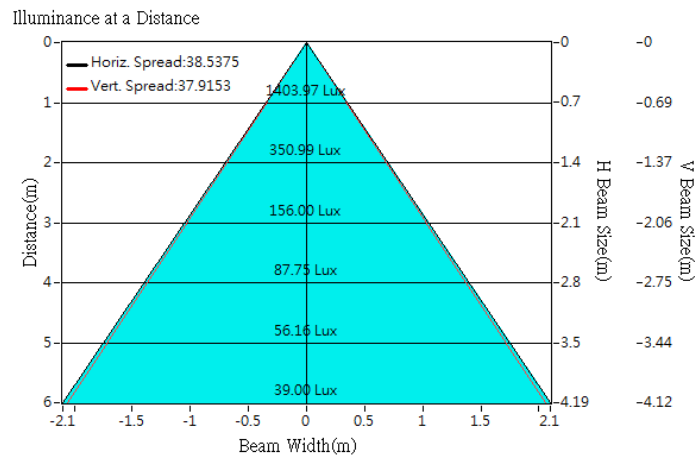
Optical Characteristics

Model Number	CKO-CH15-060027-4307		<p>"H" definition</p> 
LED	LUXEON 1203		
LES / LED Size	Φ 9 mm		
FWHM (D50)	39°		
Field Angle (D10)	71°		
H (distance)	3.65mm		
Dimension	Φ =60 mm, Thickness=26.85 mm		
Luminous Flux	765 lm	Measured @ 10.9 W	
Material	PC / UL94V2		

cd/klm

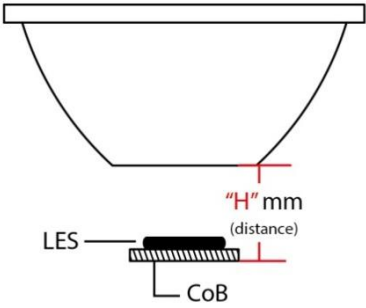


Illuminance At Distances

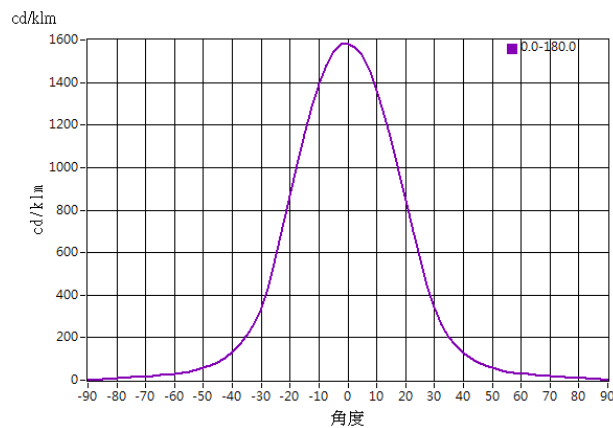




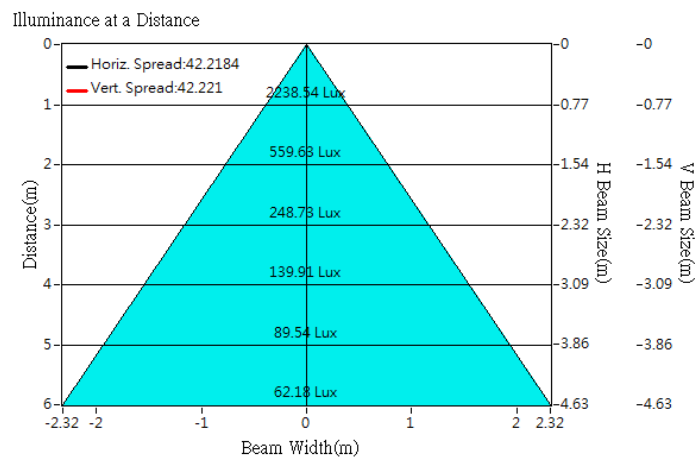
Optical Characteristics

Model Number	CKO-CH15-060027-4307		<p>"H" definition</p> 
LED	LUXEON 1204		
LES / LED Size	Φ 13 mm		
FWHM (D50)	42°		
Field Angle (D10)	76°		
H (distance)	3.65mm		
Dimension	Φ =60 mm, Thickness=26.85 mm		
Luminous Flux	1416 lm	Measured @ 16.4 W	
Material	PC / UL94V2		

cd/klm



Illuminance At Distances

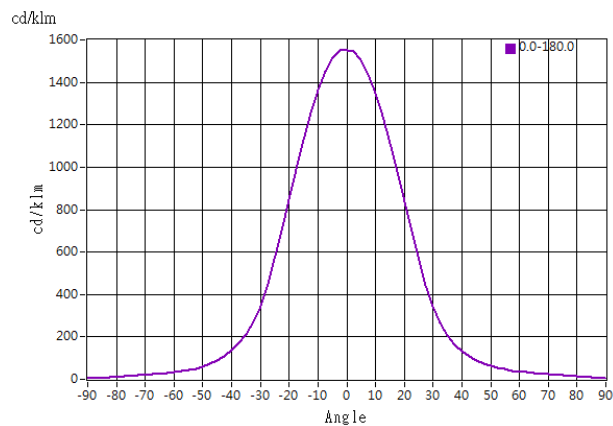




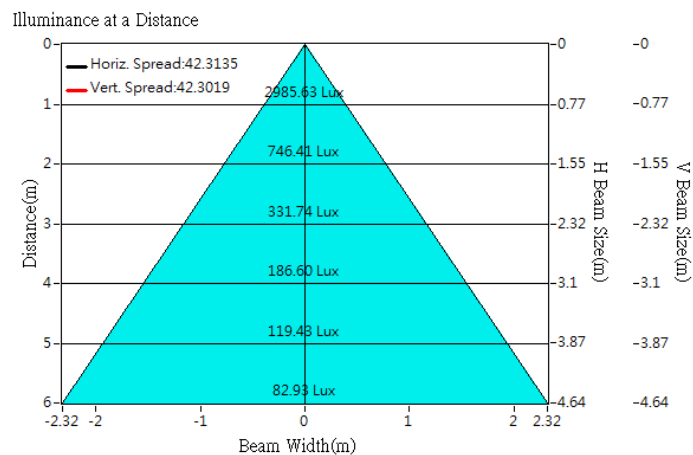
Optical Characteristics

Model Number	CKO-CH15-060027-4307		<p>"H" definition</p>
LED	LUXEON 1205		
LES / LED Size	Φ 13 mm		
FWHM (D50)	42°		
Field Angle (D10)	77°		
H (distance)	3.65mm		
Dimension	Φ =60 mm, Thickness=26.85 mm		
Luminous Flux	1923 lm	Measured @ 22.1 W	
Material	PC / UL94V2		

cd/klm

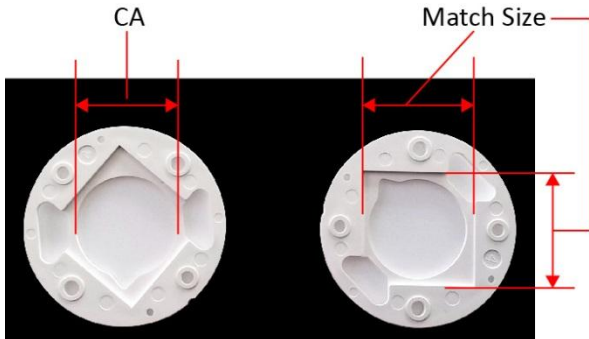


Illuminance At Distances





Lens Accessories - CoB Holder



Example of LES Area & LED Size Dimension Locations

Product Model	Match Size (mm)	CA (mm)	Material	Applicability
CKO-HC14-161911-0501	16.3 x 19.3	Φ 11.9	PBT	Lumileds 1202
CKO-HC14-161911-0501	16.3 x 19.3	Φ 11.9	PBT	Lumileds 1203
CKO-HC14-202419-0502	20.3 x 24.3	Φ 19.2	PBT	Lumileds 1204
CKO-HC14-202419-0502	20.3 x 24.3	Φ 19.2	PBT	Lumileds 1205