



Product Model Number

CKO-CH15-075033-4401

✓ Model Number Definitions

CKO-XXXX-XXXXXX-XXXX

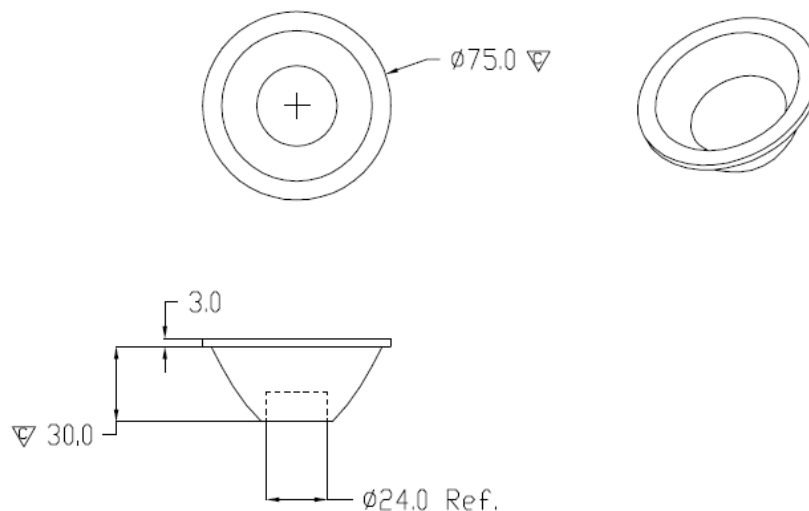


- A. Chun Kuang Optics Corp. Product
- B. Product Type: product abbreviation
Ex:
CH→CoB High Intensity
CC→CoB Compact
CS→Soft Shading for CoB LED
HC→Holder for CoB LED

- C. Identity Code
- D. Lens / Fixture Size
Ex: 075026=Φ75mm / Thickness=26mm (round up)
- C. Serial Numbers

The lens datasheet is applicable for **Bridgelux LED**, that manufactured by Chun Kuang Optics Corp.

✓ Dimensions (mm) : Φ75 x 33



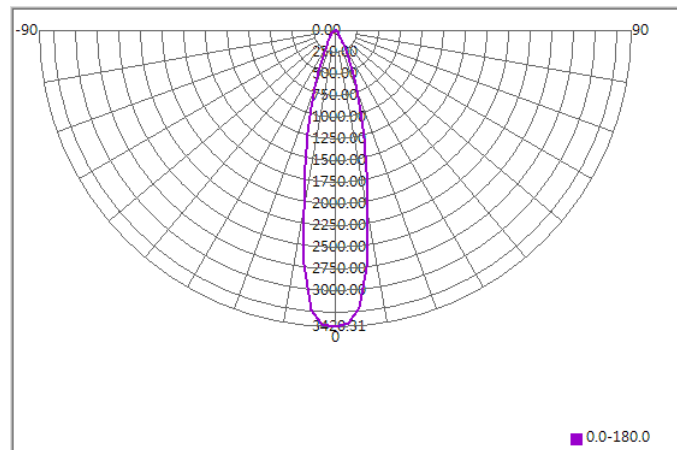
▽:Critical Dimension



Optical Characteristics

| | | | |
|-------------------|---------------------------|-------------------|-----------------------|
| Model Number | CKO-CH15-075033-4401 | | <p>"H" definition</p> |
| LED | VERO18 | | |
| LES / LED Size | Φ 18 mm | | |
| FWHM (D50) | 24° | | |
| Field Angle (D10) | 97° | | |
| H (distance) | 3.65mm | | |
| Dimension | Φ =75 mm, Thickness=33 mm | | |
| Luminous Flux | 1755 lm | Measured @ 31.6 W | |
| Material | PC / UL94V2 | | |

cd/klm



Illuminance At Distances

