



## Product Model Number

**CKO-CH15-075033-4405**

### ✓ Model Number Definitions

**CKO-XXXX-XXXXXX-XXXX**

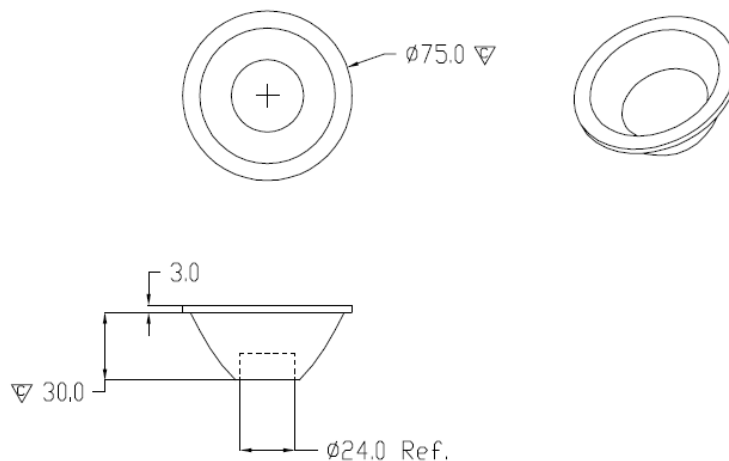


- A. Chun Kuang Optics Corp. Product
- B. Product Type: product abbreviation  
Ex:  
CH→CoB High Intensity  
CC→CoB Compact  
CS→Soft Shading for CoB LED  
HC→Holder for CoB LED

- C. Identity Code
- D. Lens / Fixture Size  
Ex: 075026=Φ75mm / Thickness=26mm (round up)
- C. Serial Numbers

The lens datasheet is applicable for **Nichia LED**, that manufactured by Chun Kuang Optics Corp.

### ✓ Dimensions (mm) : Φ75 x 33



▽:Critical Dimension

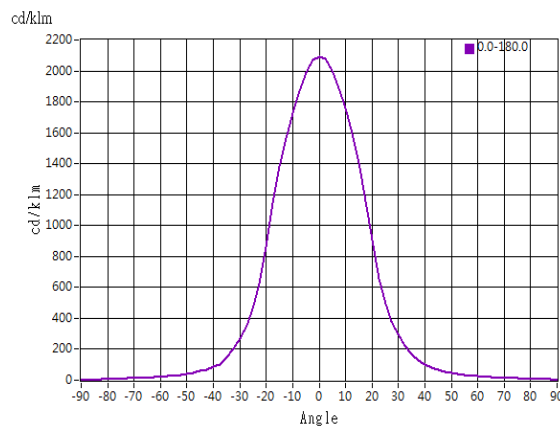




## Optical Characteristics

Model Number	CKO-CH15-075033-4405		<p>"H" definition</p>
LED	<b>NFDWJ 130B</b>		
LES / LED Size	Φ 14.6 mm		
FWHM (D50)	37°		
Field Angle (D10)	65°		
H (distance)	3.65mm		
Dimension	Φ =75 mm, Thickness=33 mm		
Luminous Flux	4962 lm	Measured @ 44.3 W	
Material	PC / UL94V2		

## cd/klm



## Illuminance At Distances

