



Product Model Number

CKO-CH15-075033-4407

✓ Model Number Definitions

CKO-XXXX-XXXXXX-XXXX

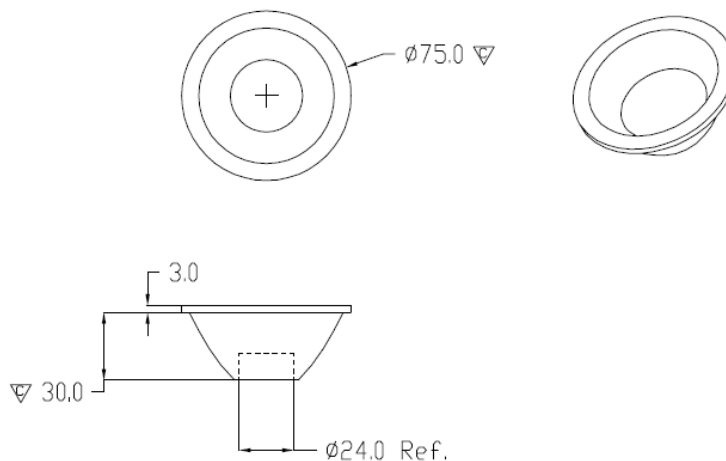


- A. Chun Kuang Optics Corp. Product
- B. Product Type: product abbreviation
Ex:
CH→CoB High Intensity
CC→CoB Compact
CS→Soft Shading for CoB LED
HC→Holder for CoB LED

- C. Identity Code
- D. Lens / Fixture Size
Ex: 075026=Φ75mm / Thickness=26mm (round up)
- C. Serial Numbers

The lens datasheet is applicable for **Nichia LED**, that manufactured by Chun Kuang Optics Corp.

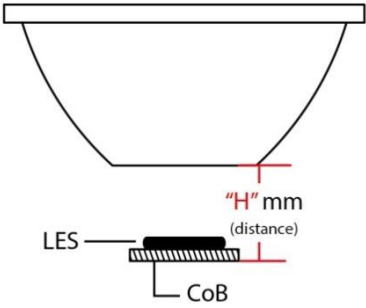
✓ Dimensions (mm) : Φ75 x 33



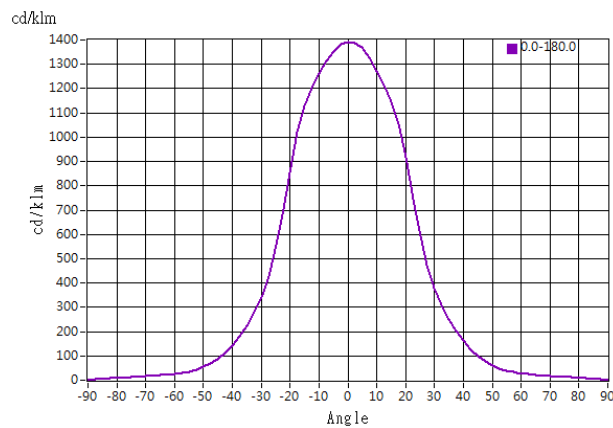
▽:Critical Dimension



Optical Characteristics

Model Number	CKO-CH15-075033-4407	<p>"H" definition</p> 
LED	NFDWJ130B	
LES / LED Size	Φ 14.6 mm	
FWHM (D50)	46°	
Field Angle (D10)	82°	
H (distance)	3.65mm	
Dimension	Φ =75 mm, Thickness=33 mm	
Luminous Flux	4894 lm Measured @ 44.1 W	
Material	PC / UL94V2	

cd/klm



Illuminance At Distances

