



Product Model Number

CKO-CS15-060027-4201

✓ Model Number Definitions

CKO-XXXX-XXXXXX-XXXX

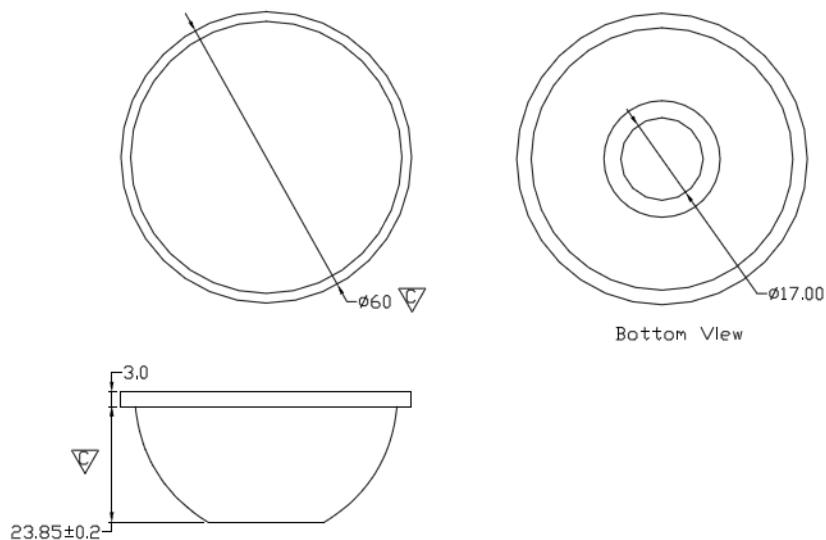


- A. Chun Kuang Optics Corp. Product
- B. Product Type: product abbreviation
Ex:
CH→CoB High Intensity
CC→CoB Compact
CS→Soft Shading for CoB LED
HC→Holder for CoB LED

- C. Identity Code
- D. Lens / Fixture Size
Ex: 075026=Φ75mm / Thickness=26mm (round up)
- E. Serial Numbers

The lens datasheet is applicable for **Luminus LED**, that manufactured by Chun Kuang Optics Corp.

✓ Dimensions (mm) : Φ60 x 26.85



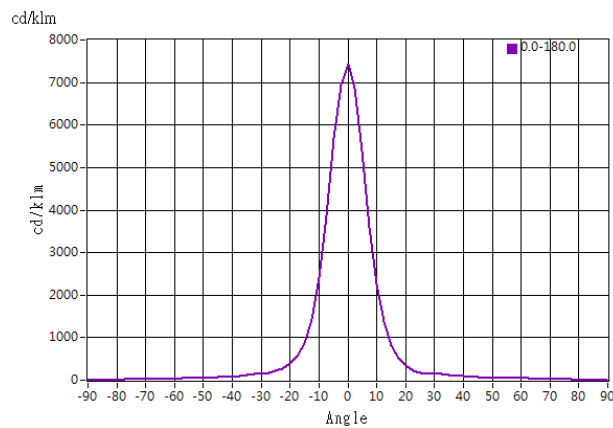
▽:Critical Dimension



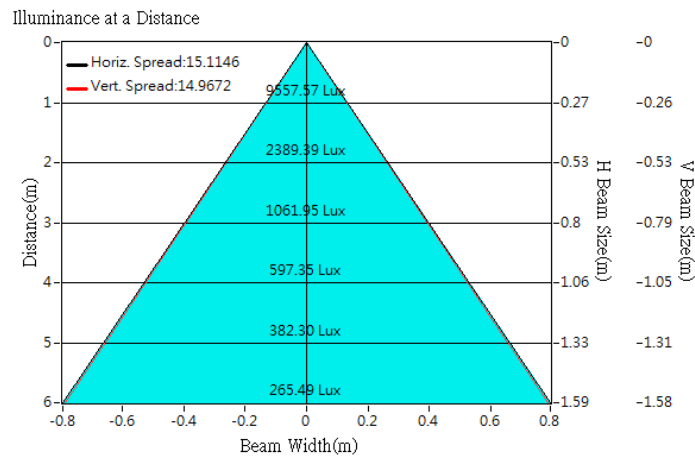
Optical Characteristics

| | | |
|-------------------|------------------------------|-----------------------|
| Model Number | CKO-CS15-060027-4201 | <p>"H" definition</p> |
| LED | CXM-9-AC30 | |
| LES / LED Size | Φ 9.6 mm | |
| FWHM (D50) | 15° | |
| Field Angle (D10) | 32° | |
| H (distance) | 3.65 mm | |
| Dimension | Φ =60 mm, Thickness=26.85 mm | |
| Luminous Flux | 1287 lm | |
| Material | PC / UL94V2 | |

cd/klm



Illuminance At Distances

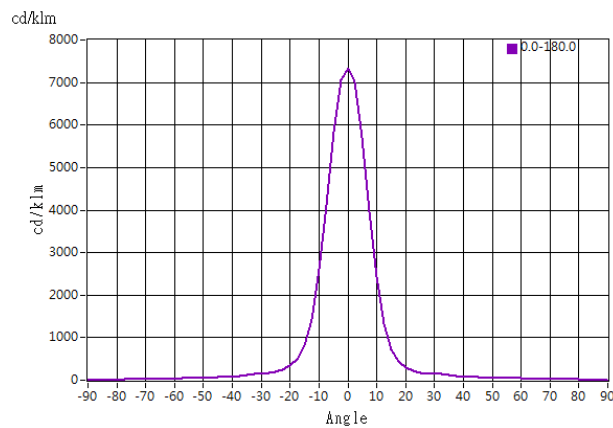




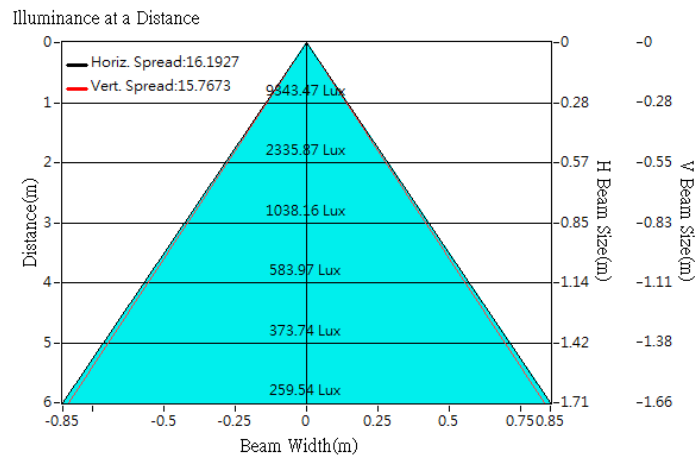
Optical Characteristics

| | | | |
|-------------------|------------------------------|-------------------|-----------------------|
| Model Number | CKO-CS15-060027-4201 | | <p>"H" definition</p> |
| LED | CXM-9-AC40 | | |
| LES / LED Size | Φ 9.8 mm | | |
| FWHM (D50) | 16° | | |
| Field Angle (D10) | 31° | | |
| H (distance) | 3.65 mm | | |
| Dimension | Φ =60 mm, Thickness=26.85 mm | | |
| Luminous Flux | 1273 lm | Measured @ 12.3 W | |
| Material | PC / UL94V2 | | |

cd/klm



Illuminance At Distances

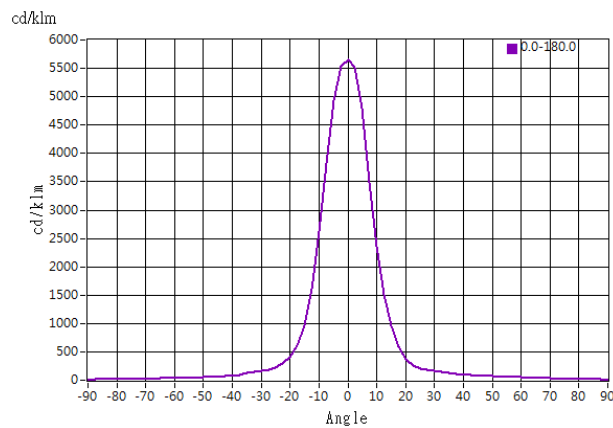




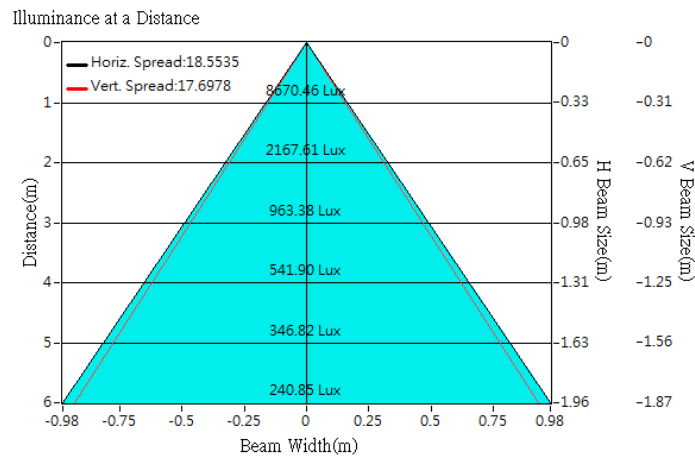
Optical Characteristics

| | | | |
|-------------------|------------------------------|-------------------|-----------------------|
| Model Number | CKO-CS15-060027-4201 | | <p>"H" definition</p> |
| LED | CXM-11-AC30 | | |
| LES / LED Size | Φ 11.7 mm | | |
| FWHM (D50) | 18° | | |
| Field Angle (D10) | 36° | | |
| H (distance) | 3.65 mm | | |
| Dimension | Φ =60 mm, Thickness=26.85 mm | | |
| Luminous Flux | 1535 lm | Measured @ 15.6 W | |
| Material | PC / UL94V2 | | |

cd/klm

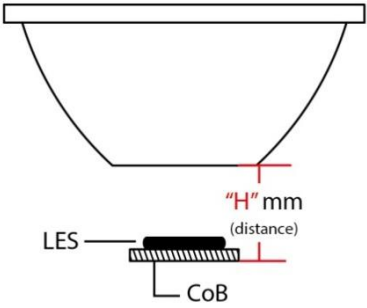


Illuminance At Distances

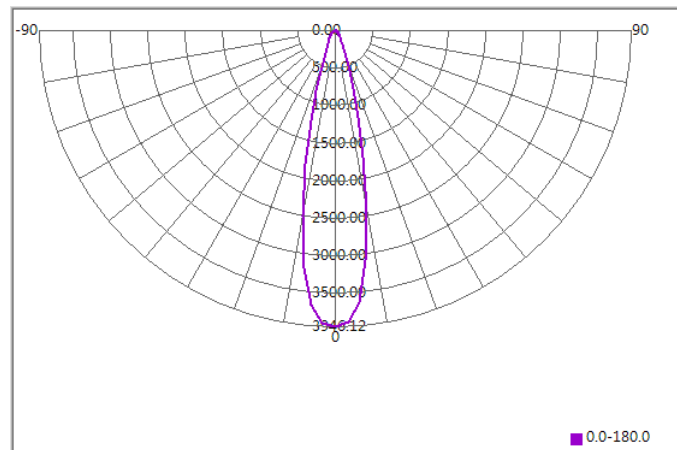




Optical Characteristics

| | | | |
|-------------------|------------------------------|-------------------|----------------------------------------------------------------------------------------------------------|
| Model Number | CKO-CS15-060027-4201 | | <p>"H" definition</p>  |
| LED | CLM-14-AC40 | | |
| LES / LED Size | Φ 14.5 mm | | |
| FWHM (D50) | 24° | | |
| Field Angle (D10) | 45° | | |
| H (distance) | 3.65 mm | | |
| Dimension | Φ =60 mm, Thickness=26.85 mm | | |
| Luminous Flux | 2243 lm | Measured @ 16.7 W | |
| Material | PC / UL94V2 | | |

cd/klm



Illuminance At Distances

