

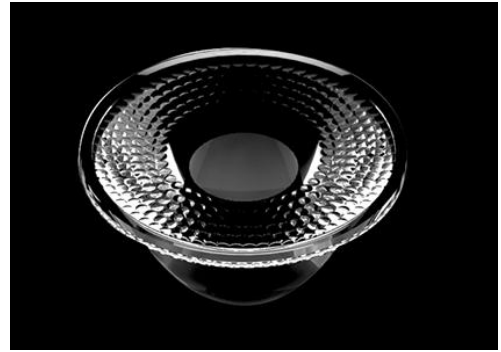


Product Model Number

CKO-CS15-060027-4204

✓ Model Number Definitions

CKO-XXXX-XXXXXX-XXXX

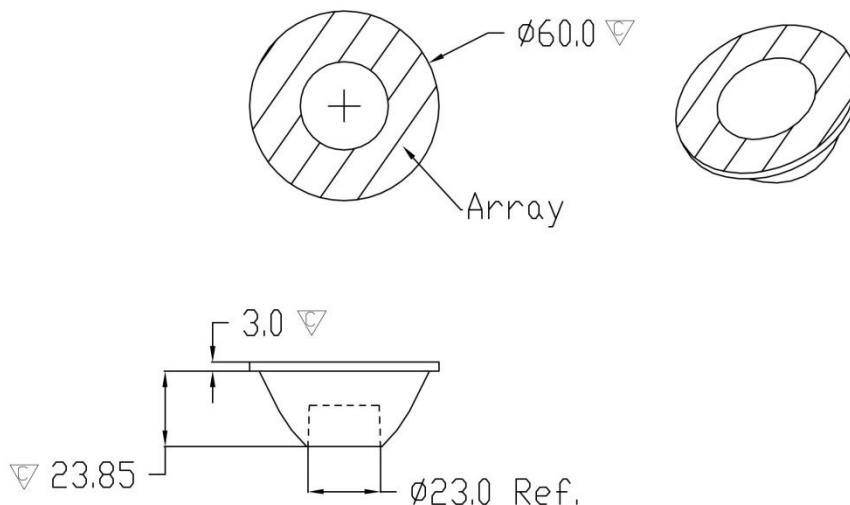


- A. Chun Kuang Optics Corp. Product
- B. Product Type: product abbreviation
Ex:
CH→CoB High Intensity
CC→CoB Compact
CS→Soft Shading for CoB LED
HC→Holder for CoB LED

- C. Identity Code
- D. Lens / Fixture Size
Ex: 075026=Φ75mm / Thickness=26mm (round up)
- C. Serial Numbers

The lens datasheet is applicable for **Lumileds LED**, that manufactured by Chun Kuang Optics Corp.

✓ Dimensions (mm) : Φ60 x 26.85



▽:Critical Dimension



✓ **Optical Characteristics – Angle Performances**

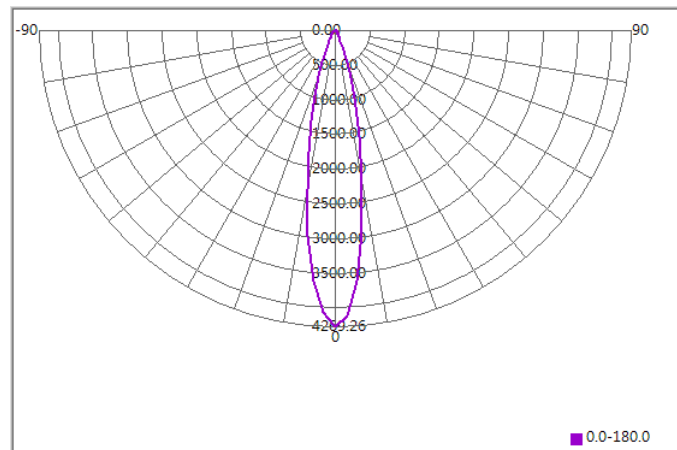
Lumileds	LED LES (mm)	FWHM (degrees)	Field Angle (degrees)
LUXEON 1203	Φ9	21°	45°



Optical Characteristics

Model Number	CKO-CS15-060027-4204		<p>"H" definition</p>
LED	LUXEON 1203		
LES / LED Size	Φ 9 mm		
FWHM (D50)	21°		
Field Angle (D10)	45°		
H (distance)	3.65 mm		
Dimension	Φ =60 mm, Thickness=26.85 mm		
Luminous Flux	703 lm	Measured @ 10.9 W	
Material	PC / UL94V2		

cd/klm



Illuminance At Distances

