

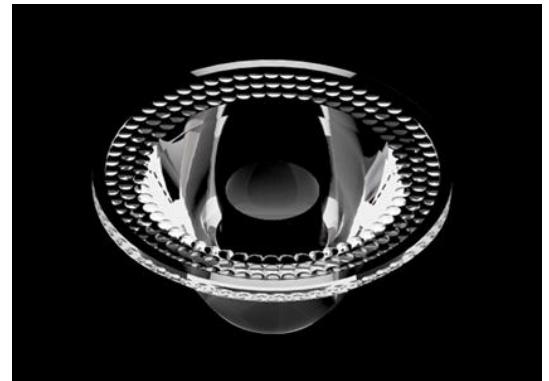


Product Model Number

CKO-CS15-060027-4206

✓ Model Number Definitions

CKO-XXXX-XXXXXX-XXXX

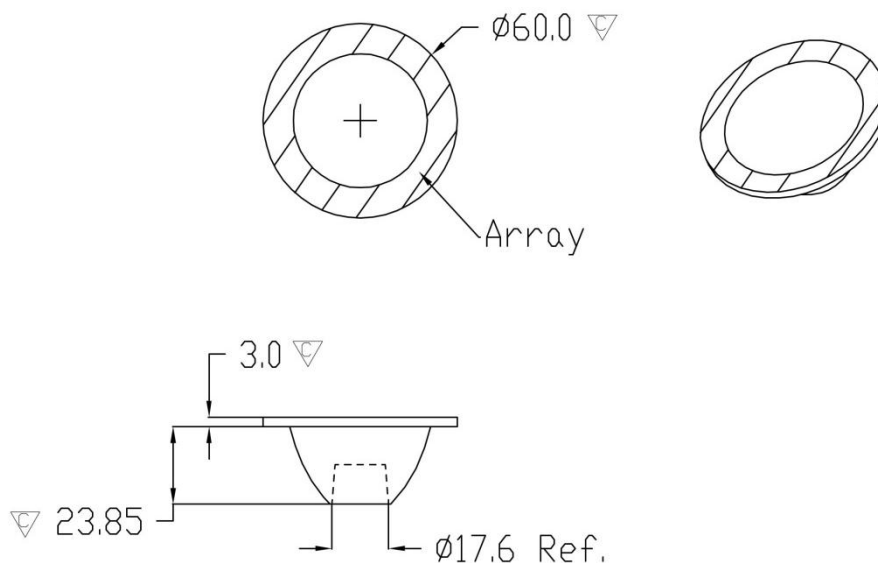


- A. Chun Kuang Optics Corp. Product
- B. Product Type: product abbreviation
Ex:
CH→CoB High Intensity
CC→CoB Compact
CS→Soft Shading for CoB LED
HC→Holder for CoB LED

- C. Identity Code
- D. Lens / Fixture Size
Ex: 075026=Φ75mm / Thickness=26mm (round up)
- C. Serial Numbers

The lens datasheet is applicable for **Luminus LED**, that manufactured by Chun Kuang Optics Corp.

✓ Dimensions (mm) : Φ60 x 26.85



▽:Critical Dimension



✓ Optical Characteristics – Angle Performances

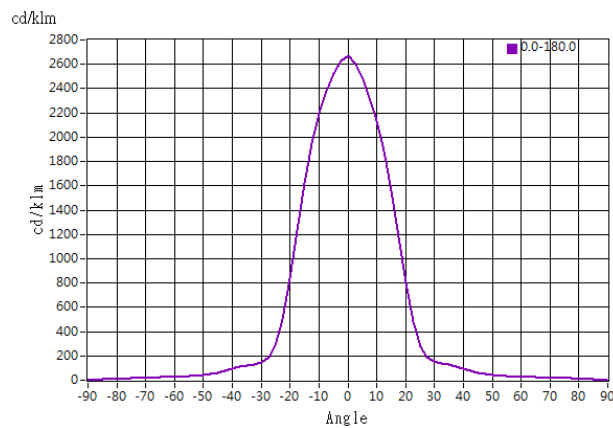
Luminus	LED LES (mm)	FWHM (degrees)	Field Angle (degrees)
CXM-9-AC30	Φ9.6	33°	51°
CXM-9-AC40	Φ9.8	34°	52°
CXM-11-AC30	Φ11.7	36°	56°
CLM-14-AC40	Φ14.5	42°	71°



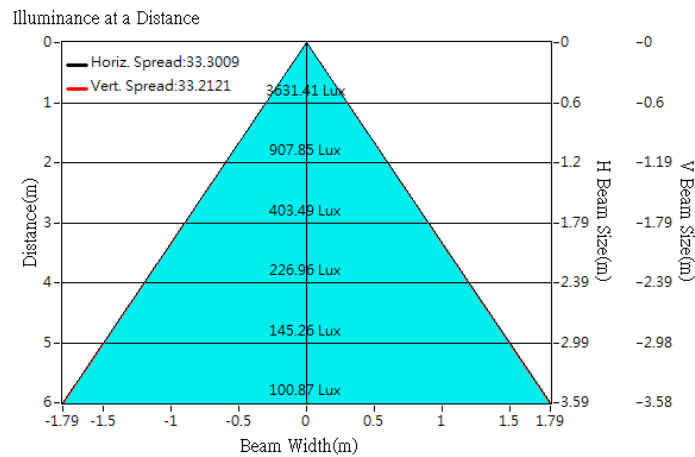
Optical Characteristics

Model Number	CKO-CS15-060027-4206		<p>"H" definition</p>
LED	CXM-9-AC30		
LES / LED Size	Φ 9.6 mm		
FWHM (D50)	33°		
Field Angle (D10)	51°		
H (distance)	3.65 mm		
Dimension	Φ =60 mm, Thickness=26.85 mm		
Luminous Flux	1358 lm	Measured @ 12.1 W	
Material	PC / UL94V2		

cd/klm



Illuminance At Distances

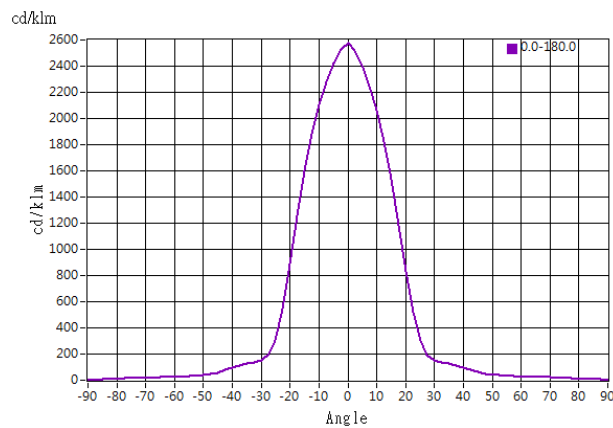




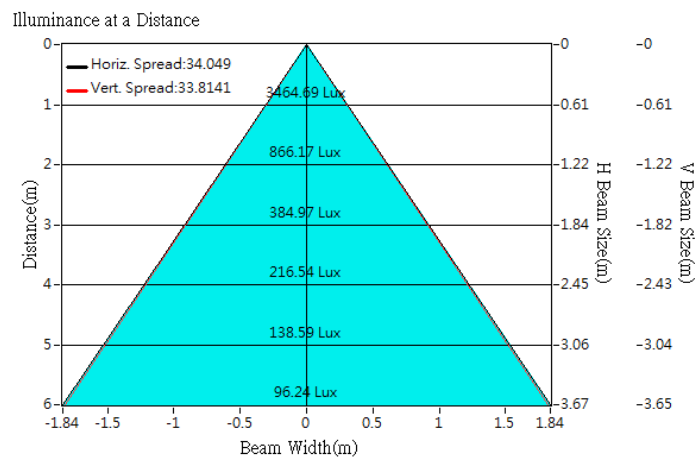
Optical Characteristics

Model Number	CKO-CS15-060027-4206		<p>"H" definition</p>
LED	CXM-9-AC40		
LES / LED Size	Φ 9.8 mm		
FWHM (D50)	34°		
Field Angle (D10)	52°		
H (distance)	3.65 mm		
Dimension	Φ =60 mm, Thickness=26.85 mm		
Luminous Flux	1347 lm	Measured @ 12.3 W	
Material	PC / UL94V2		

cd/klm

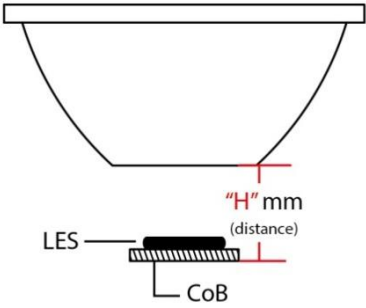


Illuminance At Distances

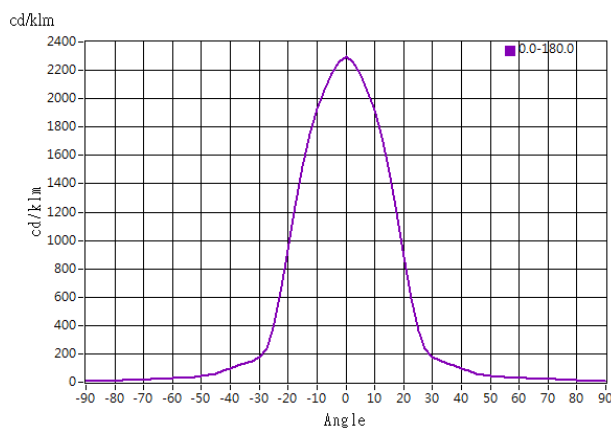




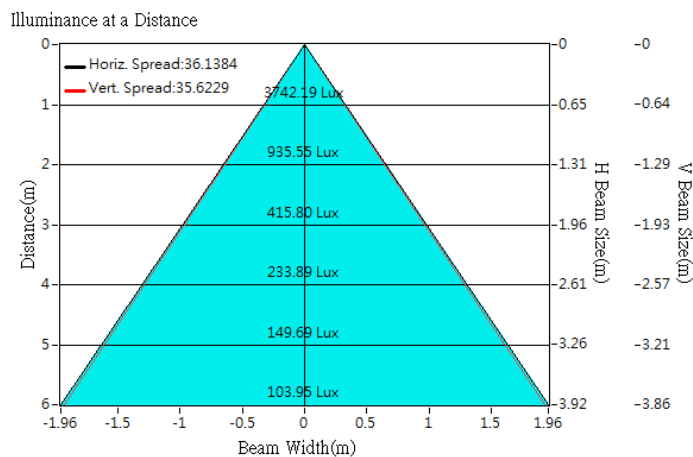
Optical Characteristics

Model Number	CKO-CS15-060027-4206		<p>"H" definition</p> 
LED	CXM-11-AC30		
LES / LED Size	Φ 11.7 mm		
FWHM (D50)	36°		
Field Angle (D10)	56°		
H (distance)	3.65 mm		
Dimension	Φ =60 mm, Thickness=26.85 mm		
Luminous Flux	1631 lm	Measured @ 15.6 W	
Material	PC / UL94V2		

cd/klm



Illuminance At Distances

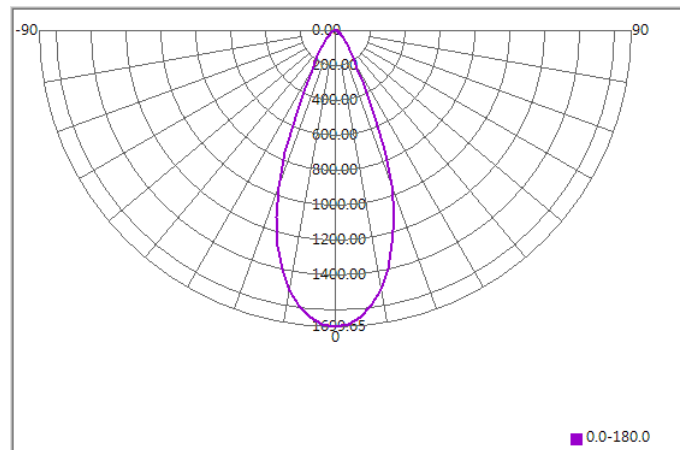




Optical Characteristics

Model Number	CKO-CS15-060027-4206		<p>"H" definition</p> <p>LES CoB</p>
LED	CLM-14-AC40		
LES / LED Size	Φ 14.5 mm		
FWHM (D50)	42°		
Field Angle (D10)	71°		
H (distance)	3.65 mm		
Dimension	Φ =60 mm, Thickness=26.85 mm		
Luminous Flux	2401 lm	Measured @ 16.7 W	
Material	PC / UL94V2		

cd/klm



Illuminance At Distances

