



## Product Model Number

CKO-CS15-075033-4001

### ✓ Model Number Definitions

**CKO-XXXX-XXXXXX-XXXX**

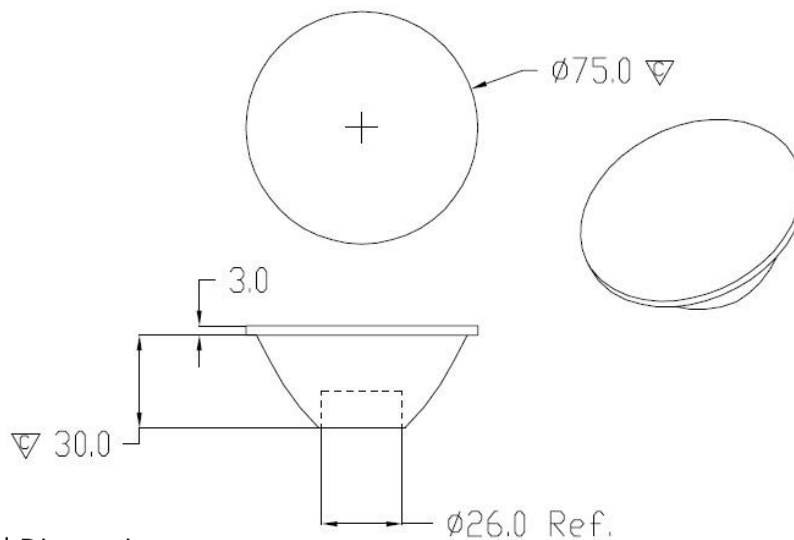


- A. Chun Kuang Optics Corp. Product
- B. Product Type: product abbreviation  
Ex:  
CH→CoB High Intensity  
CC→CoB Compact  
CS→Soft Shading for CoB LED  
HC→Holder for CoB LED

- C. Identity Code
- D. Lens / Fixture Size  
Ex: 075026=Φ75mm / Thickness=26mm (round up)
- C. Serial Numbers

The lens datasheet is applicable for **Bridgelux LED**, that manufactured by Chun Kuang Optics Corp.

### ✓ Dimensions (mm) : Φ75 x 33



▽:Critical Dimension

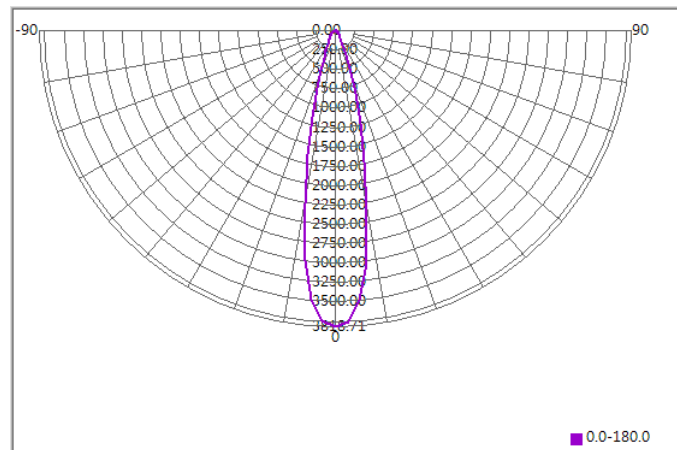




## Optical Characteristics

Model Number	CKO-CS15-075033-4001		<p>"H" definition</p>
LED	Vero 18		
LES / LED Size	Φ 18 mm		
FWHM (D50)	23°		
Field Angle (D10)	45°		
H (distance)	3.65 mm		
Dimension	Φ =75 mm, Thickness= 33 mm		
Luminous Flux	1714 lm	Measured @ 31.7 W	
Material	PC / UL94V2		

## cd/klm



## Illuminance At Distances

