



## Product Model Number

**CKO-CS15-075033-4003**

### ✓ Model Number Definitions

**CKO-XXXX-XXXXXX-XXXX**

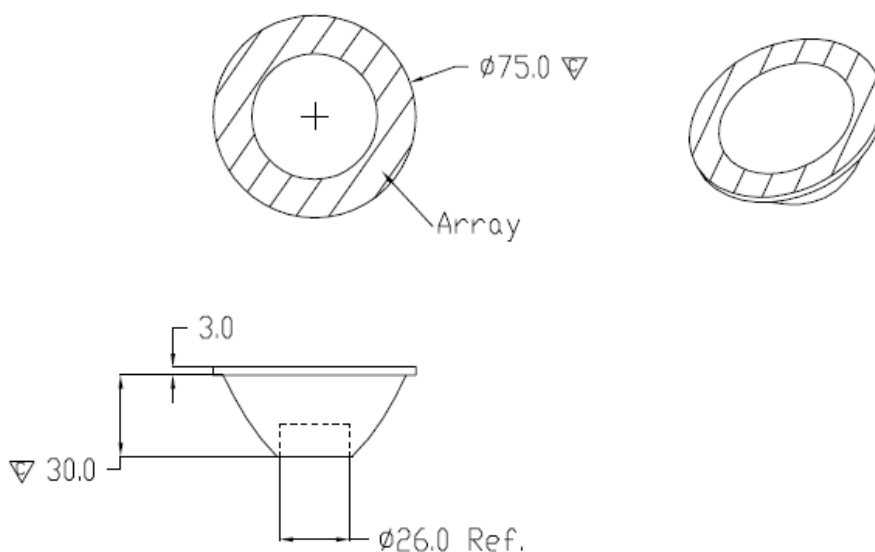


- A. Chun Kuang Optics Corp. Product
- B. Product Type: product abbreviation  
Ex:  
CH→CoB High Intensity  
CC→CoB Compact  
CS→Soft Shading for CoB LED  
HC→Holder for CoB LED

- C. Identity Code
- D. Lens / Fixture Size  
Ex: 075026=Φ75mm / Thickness=26mm (round up)
- C. Serial Numbers

The lens datasheet is applicable for **Lumileds LED**, that manufactured by Chun Kuang Optics Corp.

### ✓ Dimensions (mm) : Φ75 x 33



▽:Critical Dimension

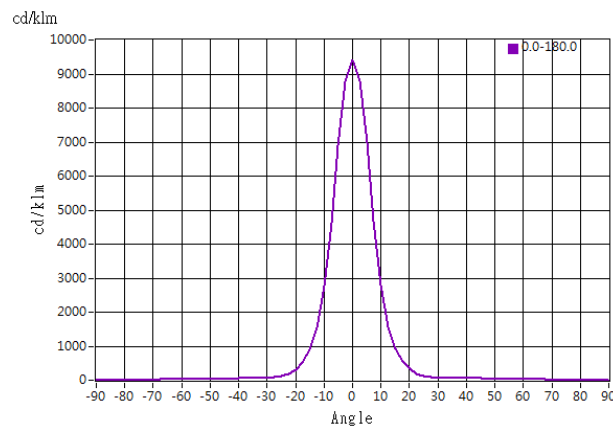




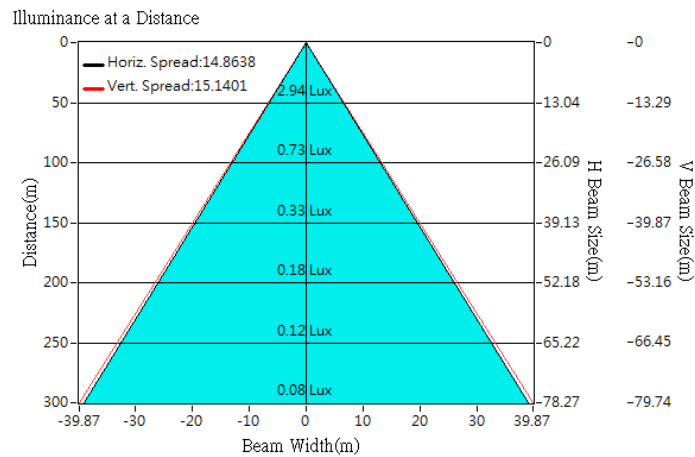
## Optical Characteristics

Model Number	CKO-CS15-075033-4003		<p>"H" definition</p>
LED	<b>LUXEON 1203</b>		
LES / LED Size	Φ 9 mm		
FWHM (D50)	14°		
Field Angle (D10)	30°		
H (distance)	3.65 mm		
Dimension	Φ =75 mm, Thickness= 33 mm		
Luminous Flux	781 lm	Measured @ 10.8 W	
Material	PC / UL94V2		

## cd/klm



## Illuminance At Distances

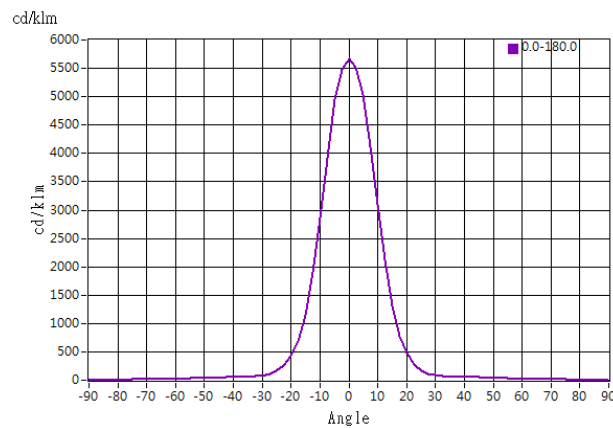




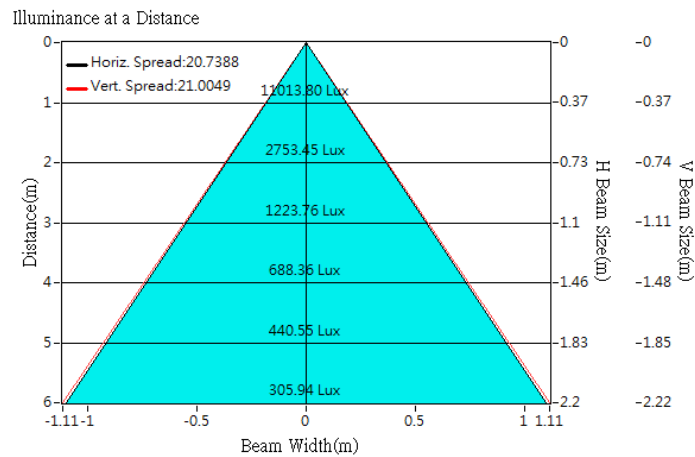
## Optical Characteristics

Model Number	CKO-CS15-075033-4003		<p>"H" definition</p>
LED	<b>LUXEON 1205</b>		
LES / LED Size	Φ 13 mm		
FWHM (D50)	21°		
Field Angle (D10)	38°		
H (distance)	3.65 mm		
Dimension	Φ =75 mm, Thickness= 33 mm		
Luminous Flux	1943 lm	Measured @ 22.1 W	
Material	PC / UL94V2		

## cd/klm

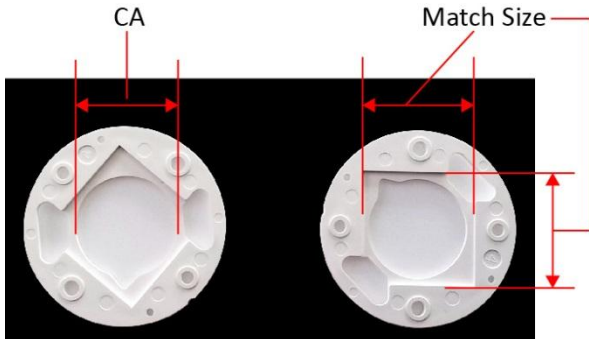


## Illuminance At Distances





## Lens Accessories - CoB Holder



Example of LES Area & LED Size Dimension Locations

Product Model	Match Size (mm)	CA (mm)	Material	Applicability
CKO-HC14-161911-0501	16.3 x 19.3	Φ 11.9	PBT	<b>Lumileds 1202</b>
CKO-HC14-161911-0501	16.3 x 19.3	Φ 11.9	PBT	<b>Lumileds 1203</b>
CKO-HC14-202419-0502	20.3 x 24.3	Φ 19.2	PBT	<b>Lumileds 1204</b>
CKO-HC14-202419-0502	20.3 x 24.3	Φ 19.2	PBT	<b>Lumileds 1205</b>