



Product Model Number

CKO-CS15-075033-4060

✓ Model Number Definitions

CKO-XXXX-XXXXXX-XXXX

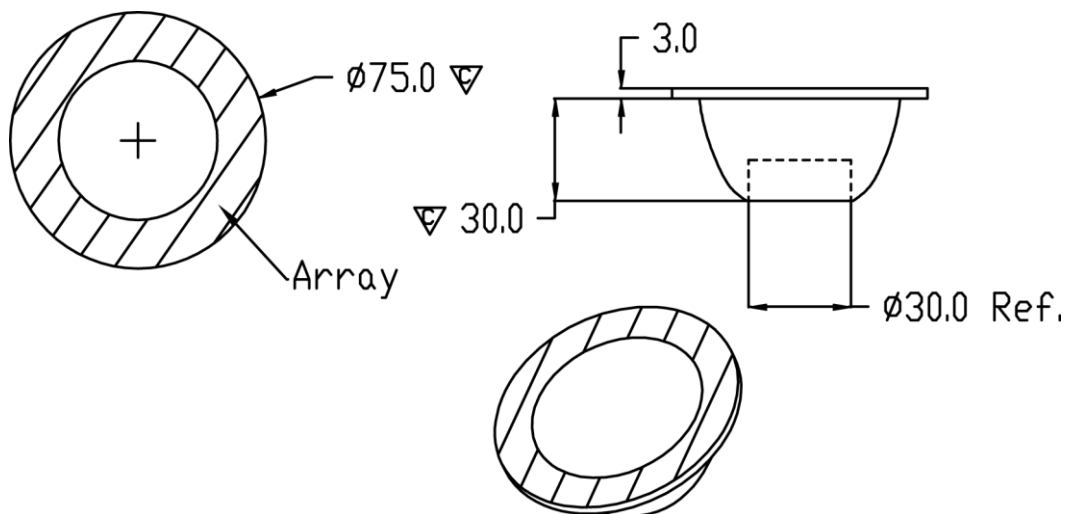


- A. Chun Kuang Optics Corp. Product
- B. Product Type: product abbreviation
Ex:
CH→CoB High Intensity
CC→CoB Compact
CS→Soft Shading for CoB LED
HC→Holder for CoB LED

- C. Identity Code
- D. Lens / Fixture Size
Ex: 075026=Φ75mm / Thickness=26mm (round up)
- E. Serial Numbers

The lens datasheet is applicable for **Citizen LED**, that manufactured by Chun Kuang Optics Corp.

✓ Dimensions (mm) : Φ75 x 33



∇ :Critical Dimension



✓ **Optical Characteristics – Angle Performances**

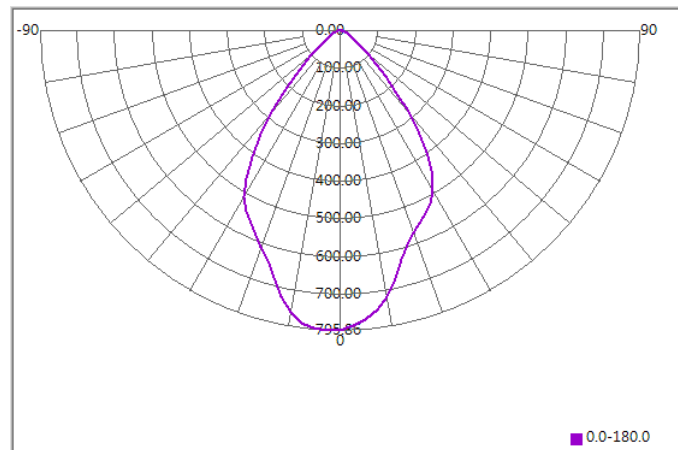
Citizen	LED LES (mm)	FWHM (degrees)	Field Angle (degrees)
CLU 711	Φ8.5	71°	105°
CLU 710	Φ8.5	66°	99°
CLU 026	Φ9.8	66°	102°
CLU 038	Φ14.5	67°	103°
CLU 036	Φ14.5	68°	105°
CLU 048	Φ22	70°	109°



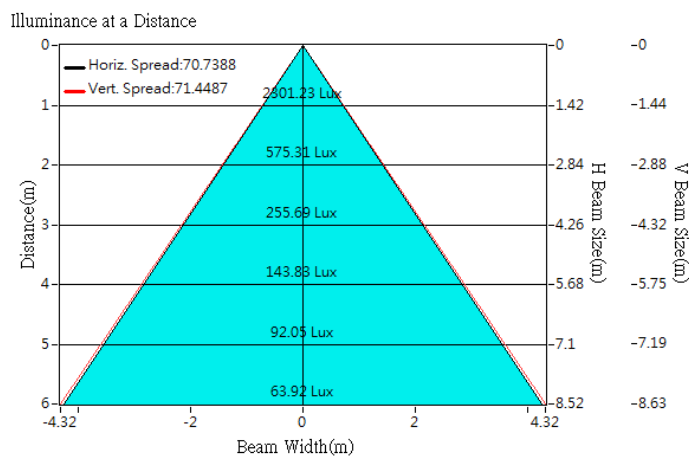
Optical Characteristics

Model Number	CKO-CS15-075033-4060		<p>"H" definition</p>
LED	CLU 711		
LES / LED Size	Φ 8.5 mm		
FWHM (D50)	71°		
Field Angle (D10)	105°		
H (distance)	3.65 mm		
Dimension	Φ =75 mm, Thickness=33 mm		
Luminous Flux	2895 lm	Measured @ 25.7 W	
Material	PC / UL94V2		

cd/klm



Illuminance At Distances

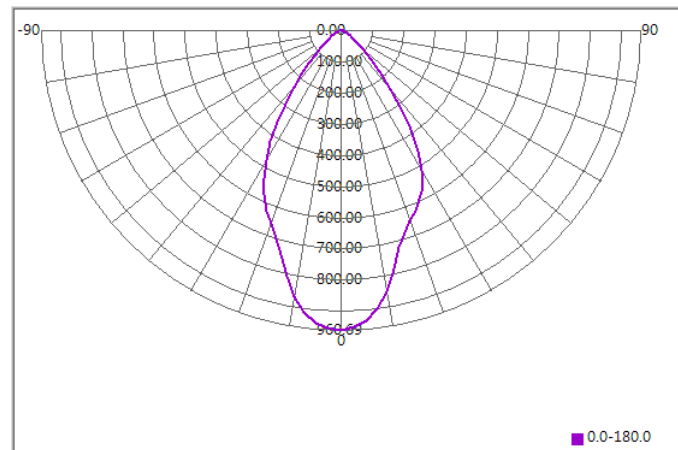




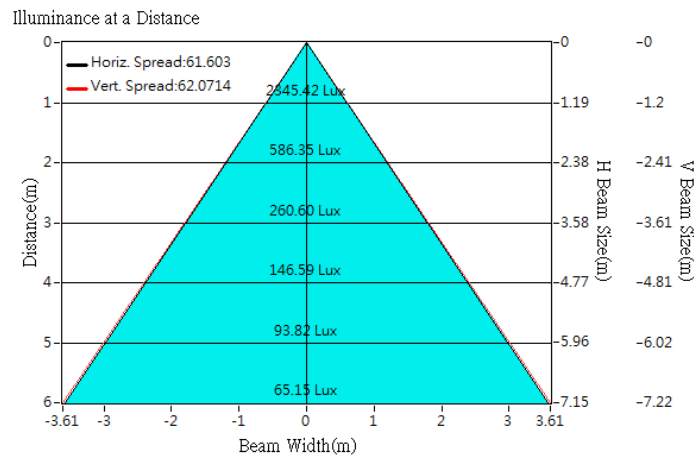
Optical Characteristics

Model Number	CKO-CS15-075033-4060		<p>"H" definition</p>
LED	CLU 710		
LES / LED Size	Φ 8.5 mm		
FWHM (D50)	62°		
Field Angle (D10)	98°		
H (distance)	4.0 mm		
Dimension	Φ =75 mm, Thickness=33 mm		
Luminous Flux	2441 lm	Measured @ 26.3 W	
Material	PC / UL94V2		

cd/klm



Illuminance At Distances

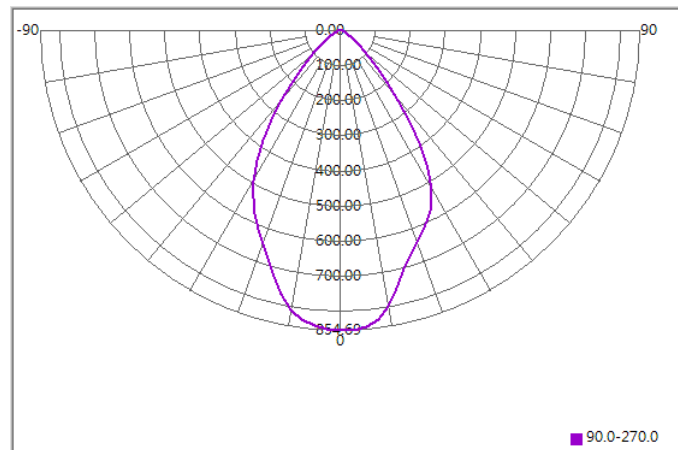




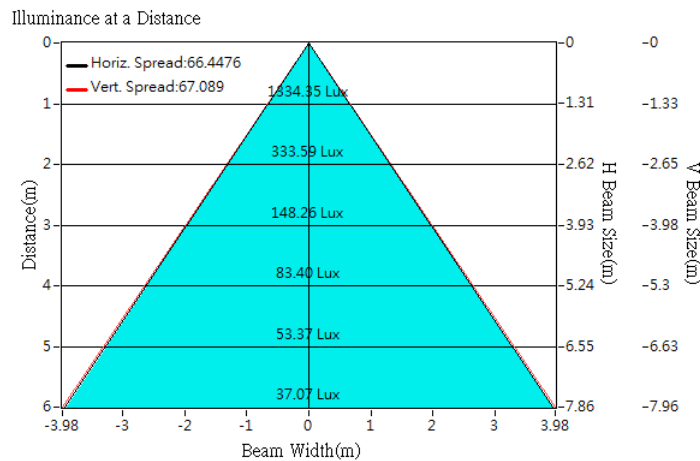
Optical Characteristics

Model Number	CKO-CS15-075033-4060		<p>"H" definition</p>
LED	CLU 026		
LES / LED Size	Φ 9.8 mm		
FWHM (D50)	66°		
Field Angle (D10)	102°		
H (distance)	3.65 mm		
Dimension	Φ =75 mm, Thickness=33 mm		
Luminous Flux	1564 lm	Measured @ 12.3 W	
Material	PC / UL94V2		

cd/klm



Illuminance At Distances

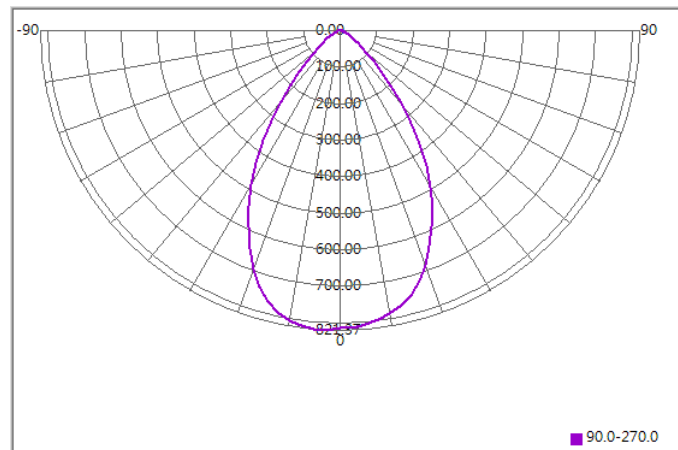




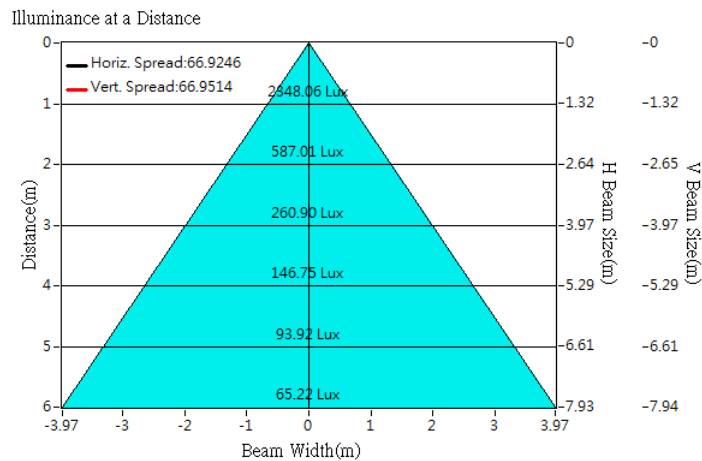
Optical Characteristics

Model Number	CKO-CS15-075033-4060		<p>"H" definition</p> <p>LES CoB "H" mm (distance)</p>
LED	CLU 038		
LES / LED Size	Φ 14.5 mm		
FWHM (D50)	67°		
Field Angle (D10)	103°		
H (distance)	3.65 mm		
Dimension	Φ =75 mm, Thickness=33 mm		
Luminous Flux	2878 lm	Measured @ 25.0 W	
Material	PC / UL94V2		

cd/klm

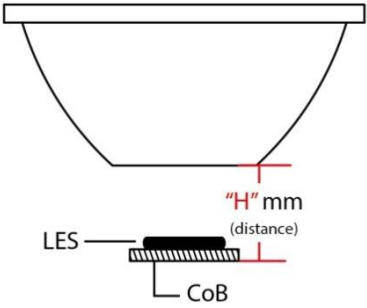


Illuminance At Distances

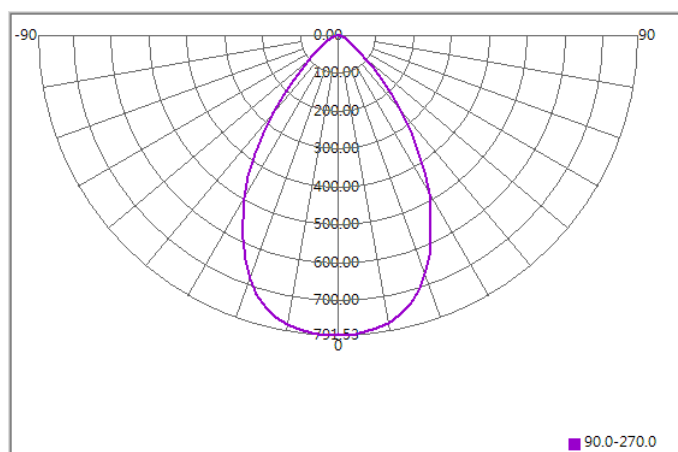




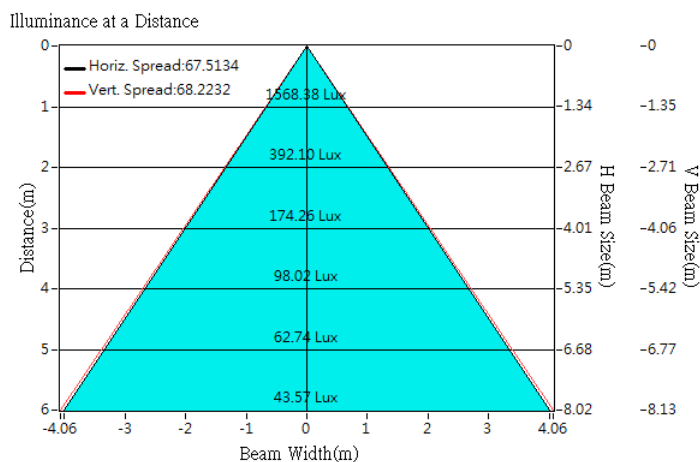
Optical Characteristics

Model Number	CKO-CS15-075033-4060		<p>"H" definition</p> 
LED	CLU 036		
LES / LED Size	Φ 14.5 mm		
FWHM (D50)	68°		
Field Angle (D10)	105°		
H (distance)	3.65 mm		
Dimension	Φ =75 mm, Thickness=33 mm		
Luminous Flux	1991 lm	Measured @ 15.6 W	
Material	PC / UL94V2		

cd/klm



Illuminance At Distances

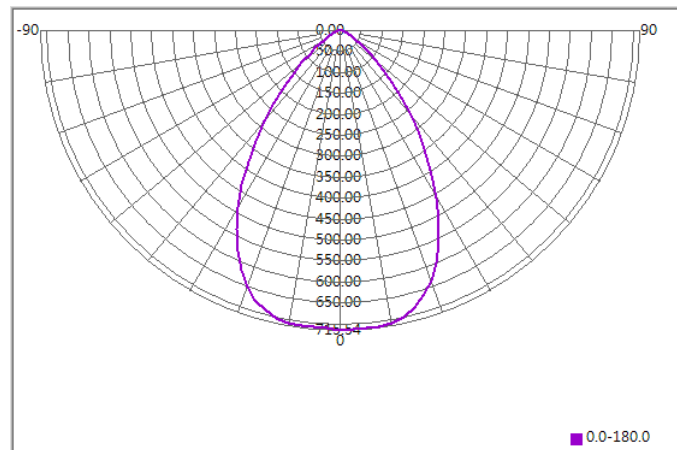




Optical Characteristics

Model Number	CKO-CS15-075033-4060		<p>"H" definition</p>
LED	CLU 048		
LES / LED Size	Φ 22 mm		
FWHM (D50)	70°		
Field Angle (D10)	109°		
H (distance)	3.65 mm		
Dimension	Φ =75 mm, Thickness=33 mm		
Luminous Flux	7242 lm	Measured @ 53.8 W	
Material	PC / UL94V2		

cd/klm



Illuminance At Distances

