

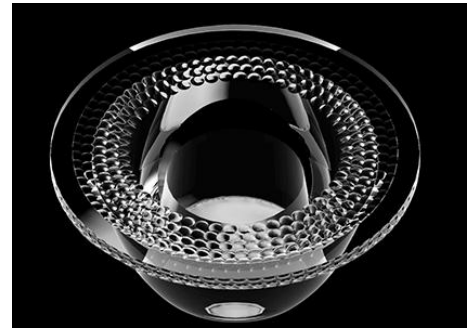


Product Model Number

CKO-CS15-075033-4060

✓ Model Number Definitions

CKO-XXXX-XXXXXX-XXXX

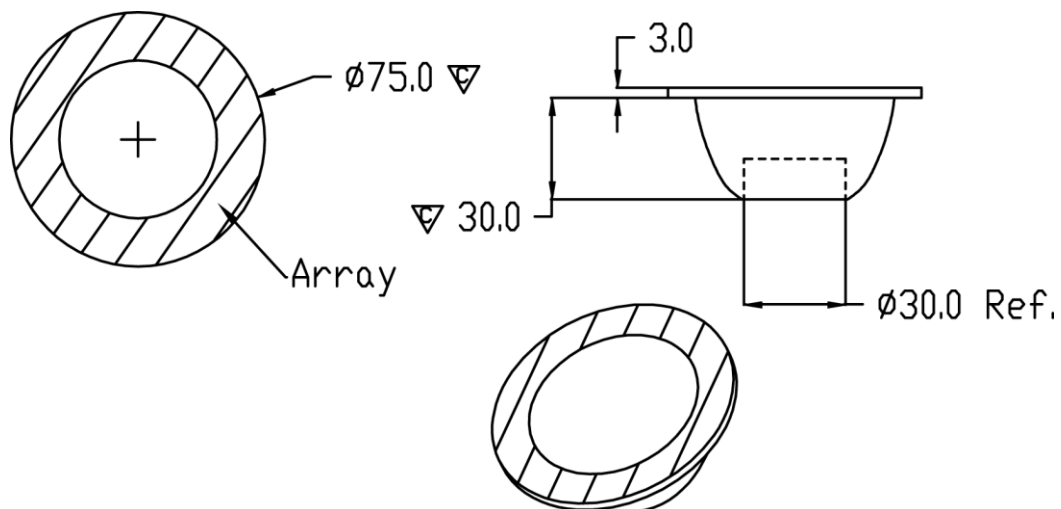


- A. Chun Kuang Optics Corp. Product
- B. Product Type: product abbreviation
Ex:
CH→CoB High Intensity
CC→CoB Compact
CS→Soft Shading for CoB LED
HC→Holder for CoB LED

- C. Identity Code
- D. Lens / Fixture Size
Ex: 075026=Φ75mm / Thickness=26mm (round up)
- C. Serial Numbers

The lens datasheet is applicable for **CREE LED**, that manufactured by Chun Kuang Optics Corp.

✓ Dimensions (mm) : Φ75 x 33



▽:Critical Dimension



✓ Optical Characteristics – Angle Performances

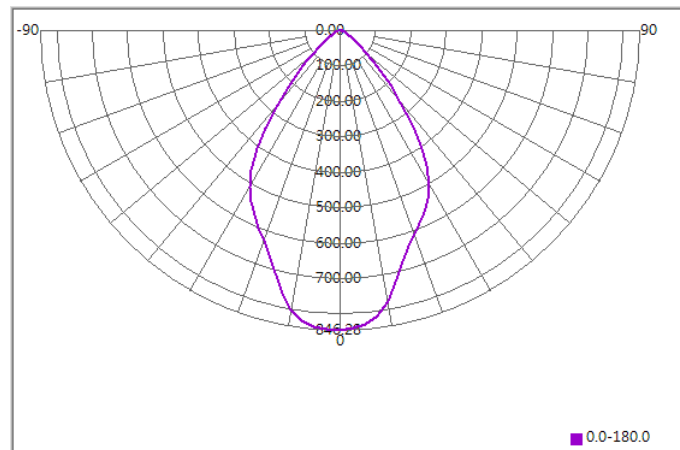
CREE	LED LES (mm)	FWHM (degrees)	Field Angle (degrees)
CXA1520	Φ9	68°	102°
CXB1520	Φ9	65°	101°
CMT1407	Φ9.8	67°	101°
CXA1816	Φ12	66°	102°
CXB1816	Φ12	65°	102°
CXA1820	Φ12	63°	101°
CMA1825	Φ12	66°	102°
CXA1850	Φ12	69°	104°
CXA1830	Φ14	70°	105°
CXB1830	Φ14	66°	102°
CMA1840	Φ14	70°	106°
CMT1922	Φ14.5	69°	105°
CMT1925	Φ14.5	67°	104°
CMT1930	Φ14.5	69°	106°
CMT1945	Φ14.5	68°	105°
CXA2540	Φ19	72°	109°
CXB2540	Φ19	71°	109°
CMA2550	Φ19	65°	105°



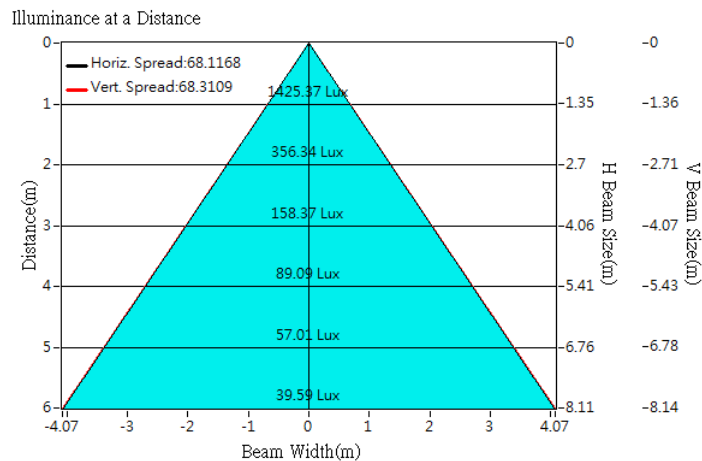
Optical Characteristics

Model Number	CKO-CS15-075033-4060		<p>"H" definition</p>
LED	CXA1520		
LES / LED Size	Φ 9 mm		
FWHM (D50)	68°		
Field Angle (D10)	102°		
H (distance)	3.65 mm		
Dimension	Φ =75 mm, Thickness=33 mm		
Luminous Flux	1684 lm	Measured @ 17.9 W	
Material	PC / UL94V2		

cd/klm

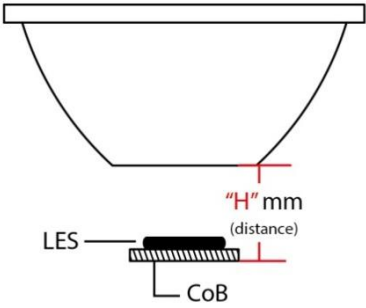


Illuminance At Distances

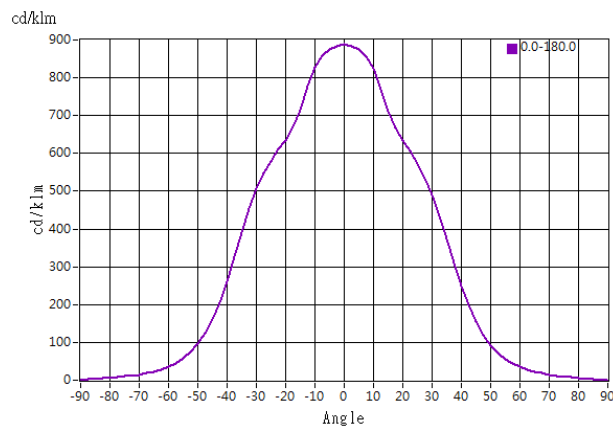




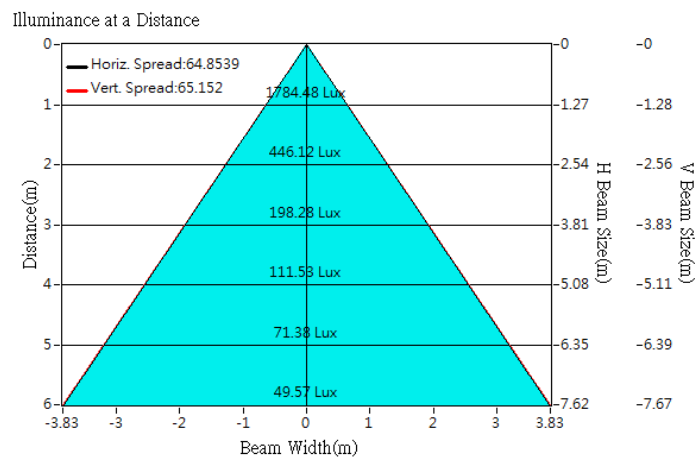
Optical Characteristics

Model Number	CKO-CS15-075033-4060		<p>"H" definition</p> 
LED	CXB1520		
LES / LED Size	Φ 9 mm		
FWHM (D50)	65°		
Field Angle (D10)	101°		
H (distance)	4.0 mm		
Dimension	Φ =75 mm, Thickness=33 mm		
Luminous Flux	2005 lm	Measured @ 16.5 W	
Material	PC / UL94V2		

cd/klm



Illuminance At Distances

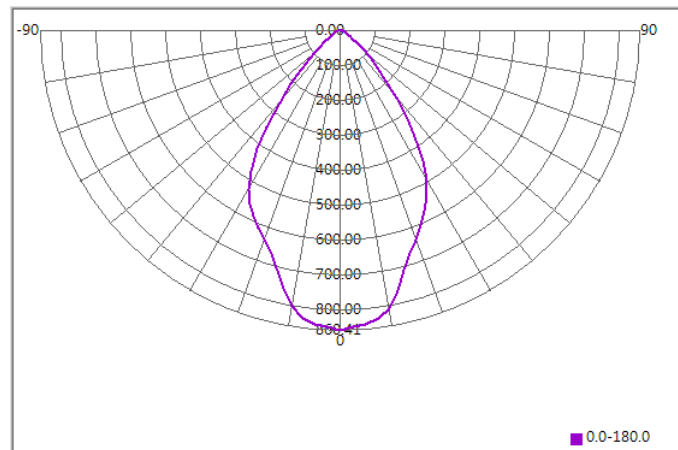




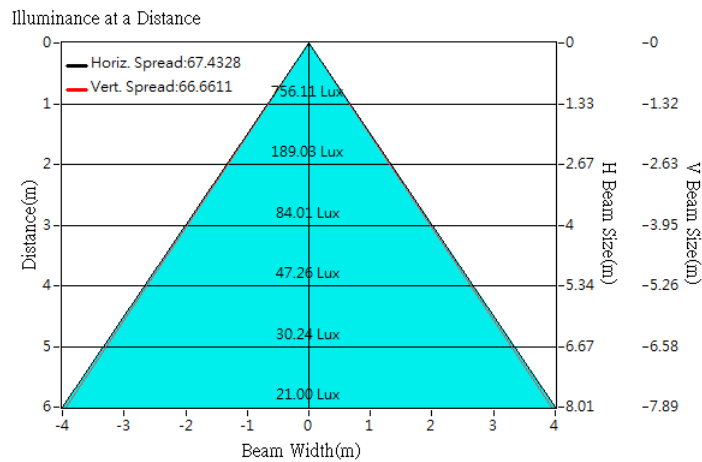
Optical Characteristics

Model Number	CKO-CS15-075033-4060		<p>"H" definition</p> <p>LES CoB</p>
LED	CMT1407		
LES / LED Size	Φ 9.8 mm		
FWHM (D50)	67°		
Field Angle (D10)	101°		
H (distance)	3.65 mm		
Dimension	Φ =75 mm, Thickness= 33 mm		
Luminous Flux	878 lm	Measured @ 7.0 W	
Material	PC / UL94V2		

cd/klm



Illuminance At Distances

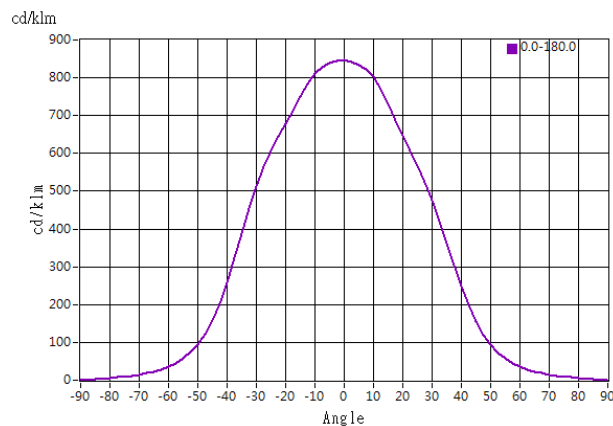




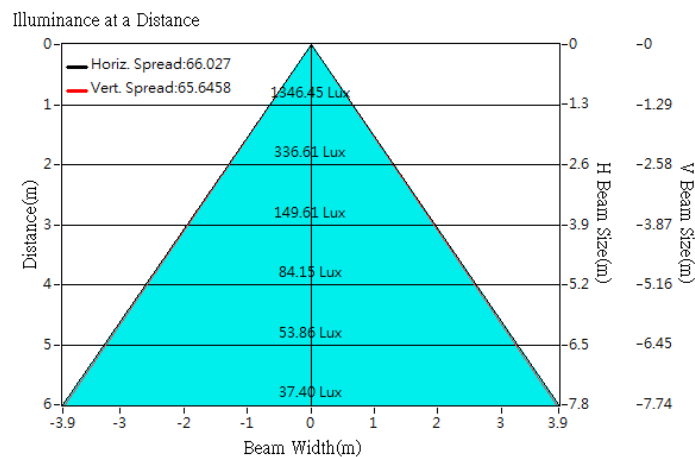
Optical Characteristics

Model Number	CKO-CS15-075033-4060		<p>"H" definition</p>
LED	CXA1816		
LES / LED Size	Φ 12 mm		
FWHM (D50)	66°		
Field Angle (D10)	102°		
H (distance)	4.0 mm		
Dimension	Φ =75 mm, Thickness=33 mm		
Luminous Flux	1586 lm	Measured @ 16.5 W	
Material	PC / UL94V2		

cd/klm



Illuminance At Distances

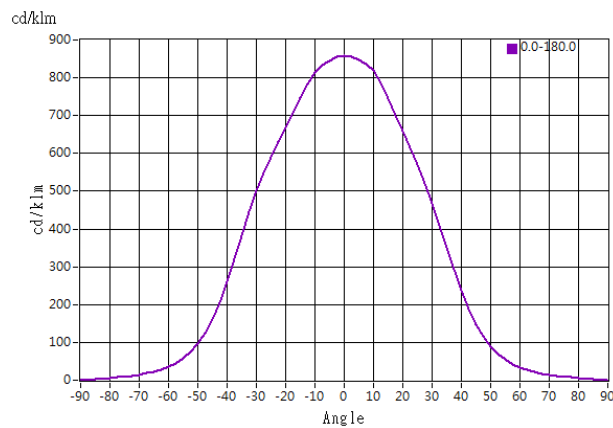




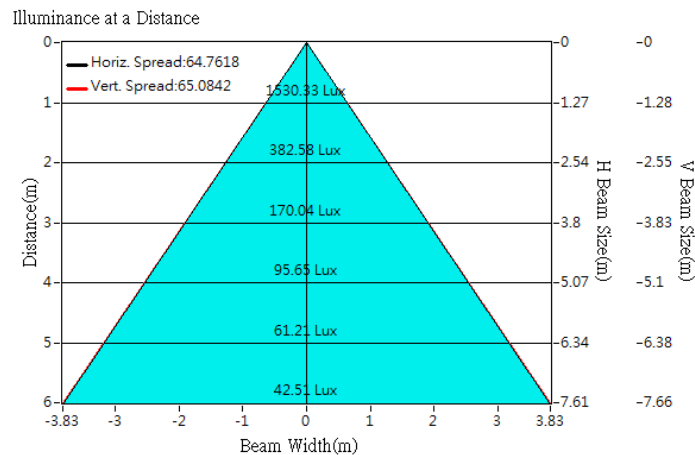
Optical Characteristics

Model Number	CKO-CS15-075033-4060		<p>"H" definition</p>
LED	CXB1816		
LES / LED Size	Φ 12 mm		
FWHM (D50)	65°		
Field Angle (D10)	102°		
H (distance)	4.0 mm		
Dimension	Φ =75 mm, Thickness=33 mm		
Luminous Flux	1780 lm	Measured @ 15.7 W	
Material	PC / UL94V2		

cd/klm



Illuminance At Distances

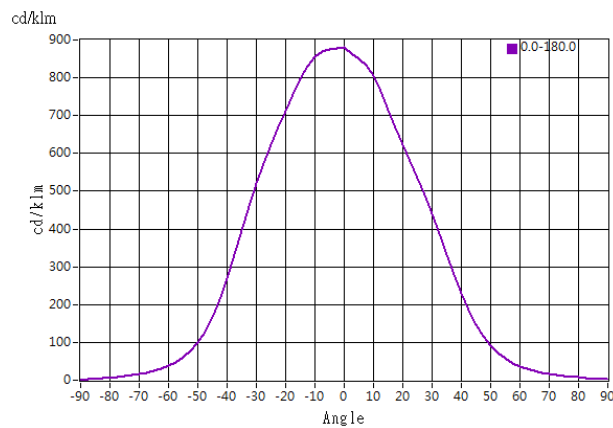




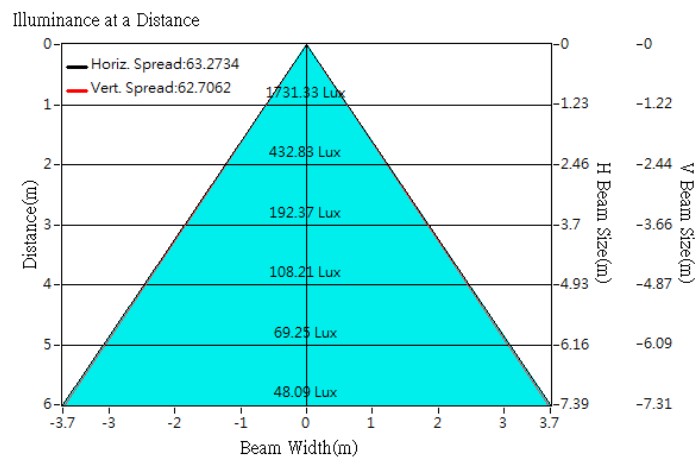
Optical Characteristics

Model Number	CKO-CS15-075033-4060		<p>"H" definition</p>
LED	CXA1820		
LES / LED Size	Φ 12 mm		
FWHM (D50)	63°		
Field Angle (D10)	101°		
H (distance)	4.0 mm		
Dimension	Φ =75 mm, Thickness=33 mm		
Luminous Flux	1963 lm	Measured @ 20.5 W	
Material	PC / UL94V2		

cd/klm



Illuminance At Distances

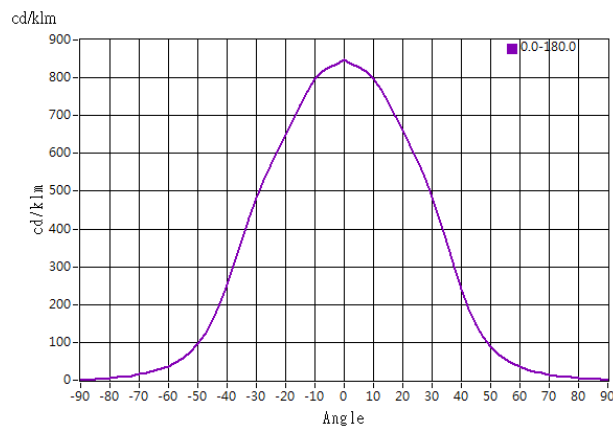




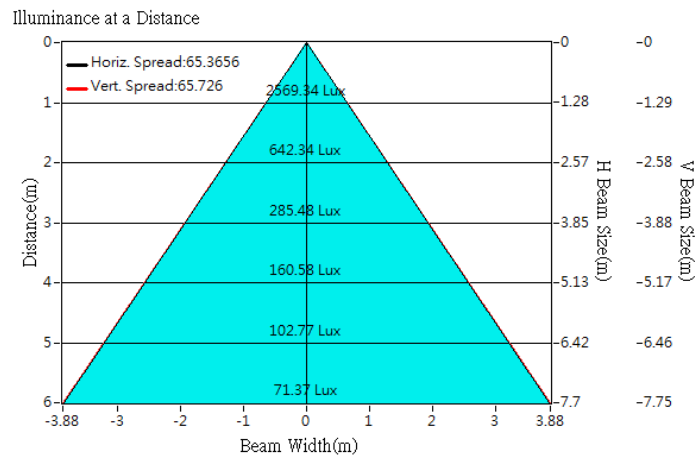
Optical Characteristics

Model Number	CKO-CS15-075033-4060		<p>"H" definition</p>
LED	CMA1825		
LES / LED Size	Φ 12 mm		
FWHM (D50)	66°		
Field Angle (D10)	102°		
H (distance)	4.0 mm		
Dimension	Φ =75 mm, Thickness=33 mm		
Luminous Flux	3034 lm	Measured @ 24.5 W	
Material	PC / UL94V2		

cd/klm

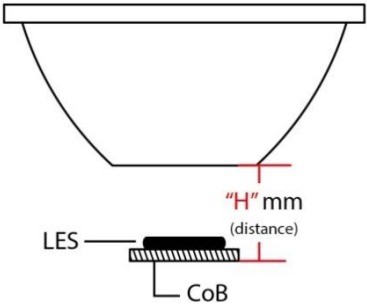


Illuminance At Distances

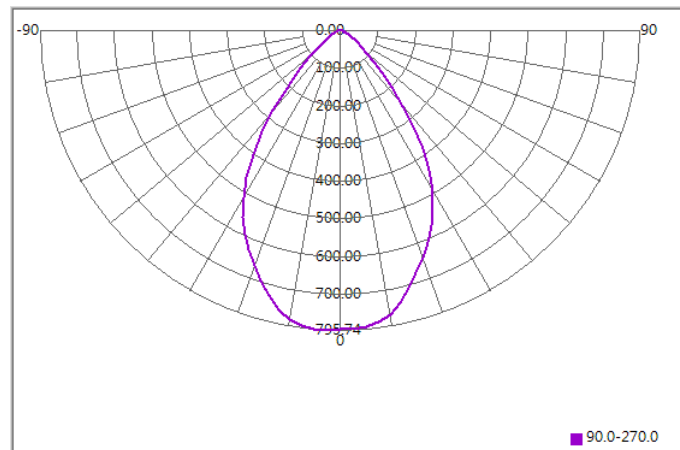




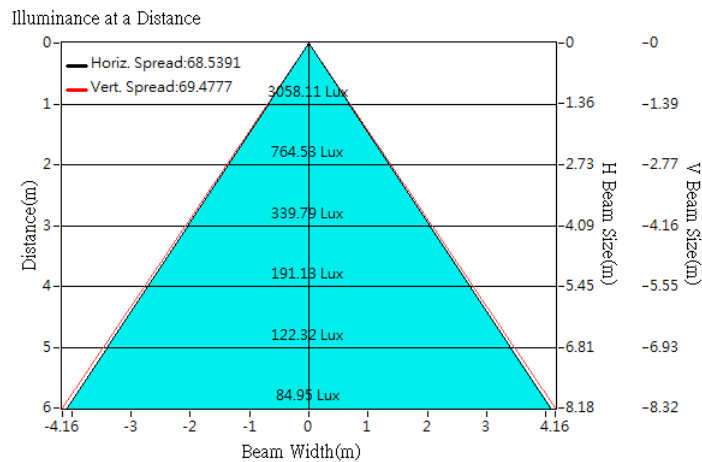
Optical Characteristics

Model Number	CKO-CS15-075033-4060		<p>"H" definition</p> 
LED	CXA 1850		
LES / LED Size	Φ 12 mm		
FWHM (D50)	69°		
Field Angle (D10)	104°		
H (distance)	3.65 mm		
Dimension	Φ =75 mm, Thickness= 33 mm		
Luminous Flux	3852 lm	Measured @ 47.8 W	
Material	PC / UL94V2		

cd/klm



Illuminance At Distances

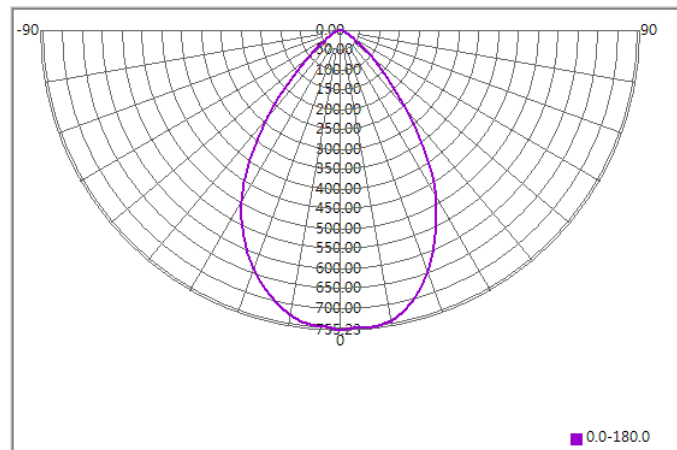




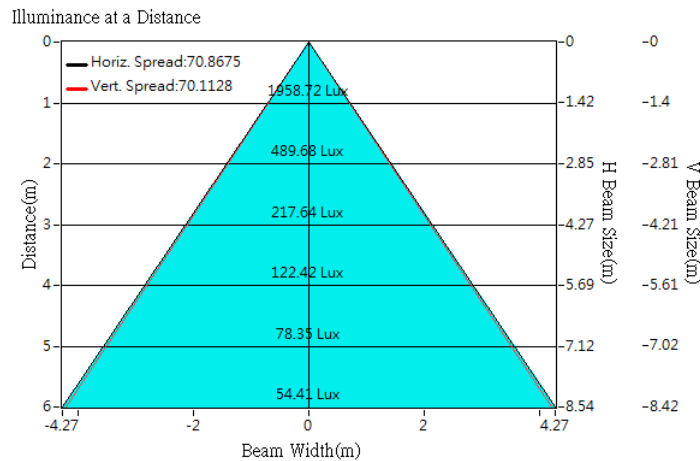
Optical Characteristics

Model Number	CKO-CS15-075033-4060		<p>"H" definition</p>
LED	CXA1830		
LES / LED Size	Φ 14 mm		
FWHM (D50)	70°		
Field Angle (D10)	105°		
H (distance)	3.65 mm		
Dimension	Φ =75 mm, Thickness=33 mm		
Luminous Flux	2593 lm	Measured @ 31.2 W	
Material	PC / UL94V2		

cd/klm

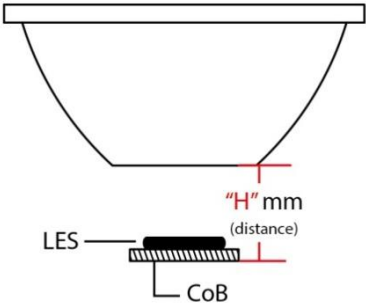


Illuminance At Distances

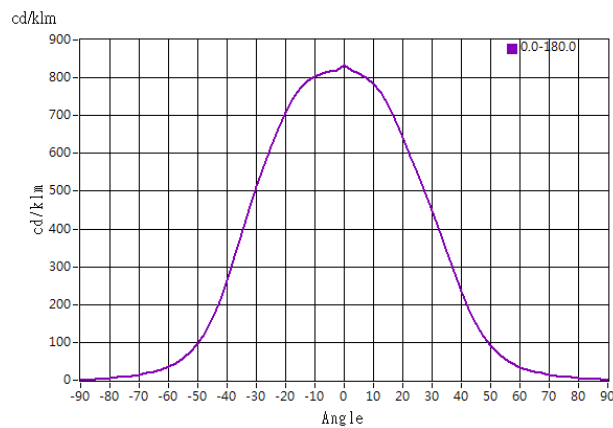




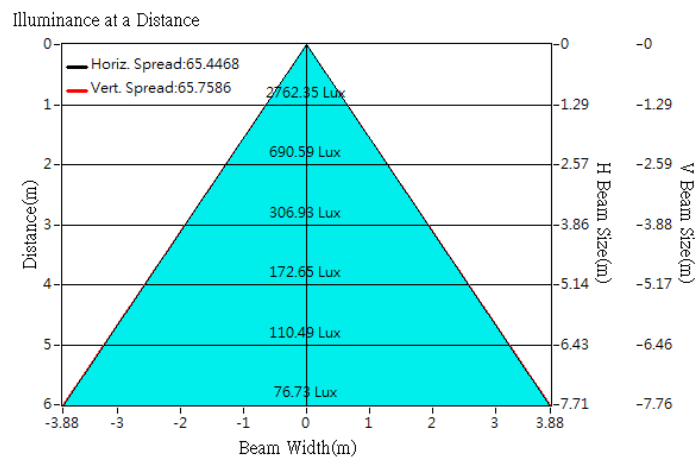
Optical Characteristics

Model Number	CKO-CS15-075033-4060		<p>"H" definition</p> 
LED	CXB1830		
LES / LED Size	Φ 14 mm		
FWHM (D50)	66°		
Field Angle (D10)	102°		
H (distance)	4.0 mm		
Dimension	Φ =75 mm, Thickness=33 mm		
Luminous Flux	3319 lm	Measured @ 28.3 W	
Material	PC / UL94V2		

cd/klm

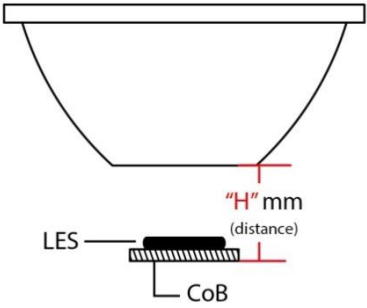


Illuminance At Distances

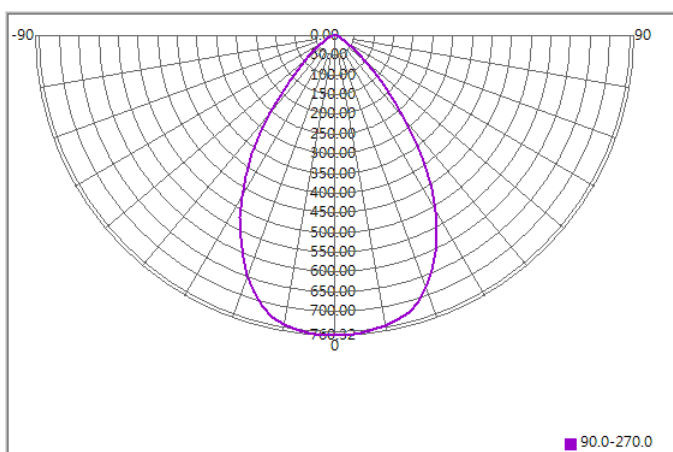




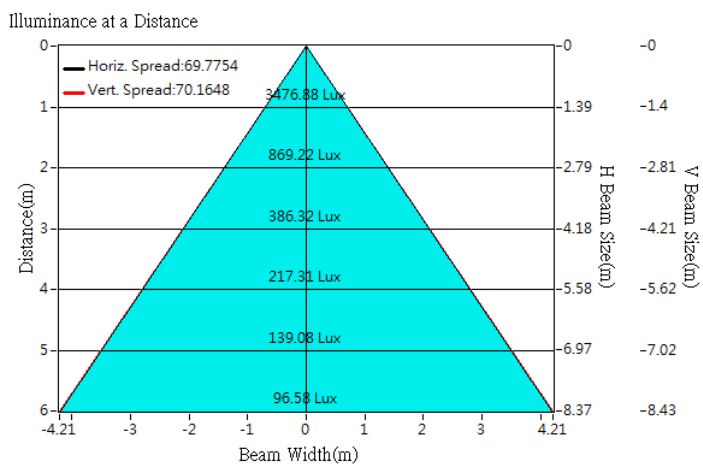
Optical Characteristics

Model Number	CKO-CS15-075033-4060		<p>"H" definition</p> 
LED	CMA1840		
LES / LED Size	Φ 14 mm		
FWHM (D50)	70°		
Field Angle (D10)	106°		
H (distance)	3.65 mm		
Dimension	Φ =75 mm, Thickness=33 mm		
Luminous Flux	4589 lm	Measured @ 38.4 W	
Material	PC / UL94V2		

cd/klm



Illuminance At Distances

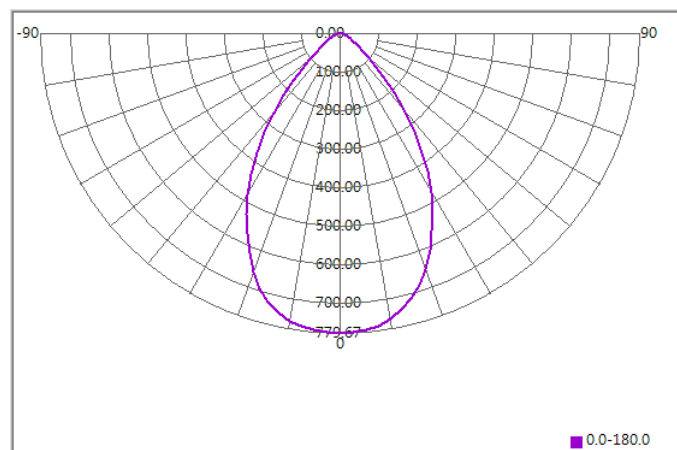




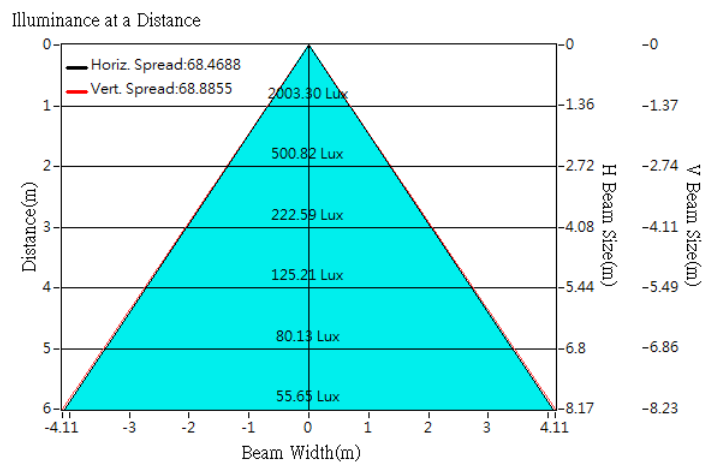
Optical Characteristics

Model Number	CKO-CS15-075033-4060		<p>"H" definition</p>
LED	CMT1922		
LES / LED Size	Φ 14.5 mm		
FWHM (D50)	69°		
Field Angle (D10)	105°		
H (distance)	3.65 mm		
Dimension	Φ =75 mm, Thickness= 33 mm		
Luminous Flux	2569 lm	Measured @ 21.8 W	
Material	PC / UL94V2		

cd/klm



Illuminance At Distances

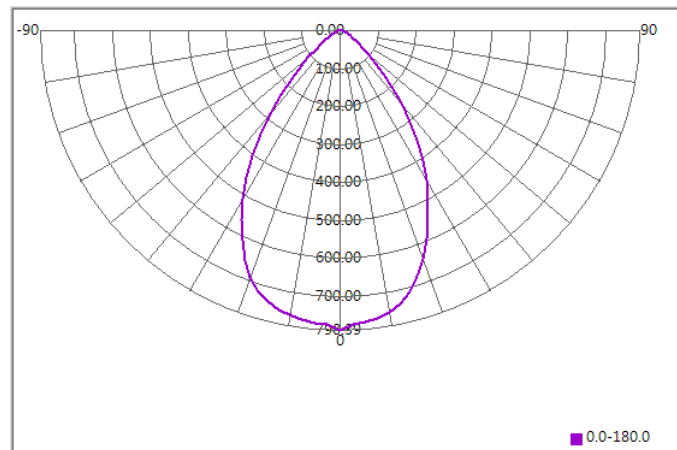




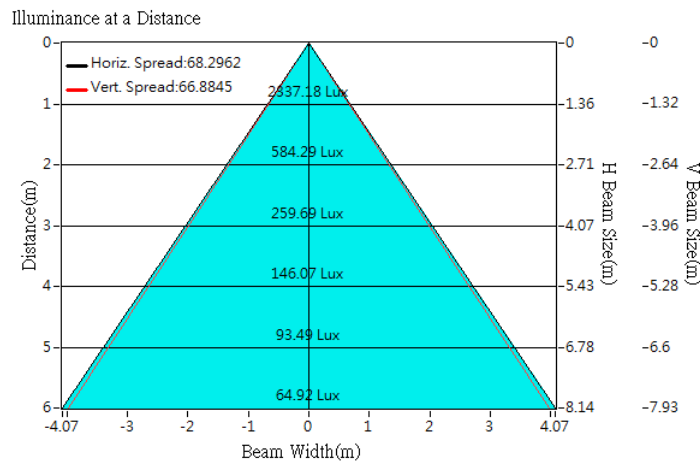
Optical Characteristics

Model Number	CKO-CS15-075033-4060		<p>"H" definition</p> <p>LES CoB</p>
LED	CMT1925		
LES / LED Size	Φ 14.5 mm		
FWHM (D50)	67°		
Field Angle (D10)	104°		
H (distance)	3.65 mm		
Dimension	Φ =75 mm, Thickness= 33 mm		
Luminous Flux	2957 lm	Measured @ 25.4 W	
Material	PC / UL94V2		

cd/klm

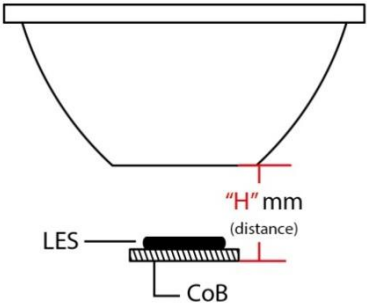


Illuminance At Distances

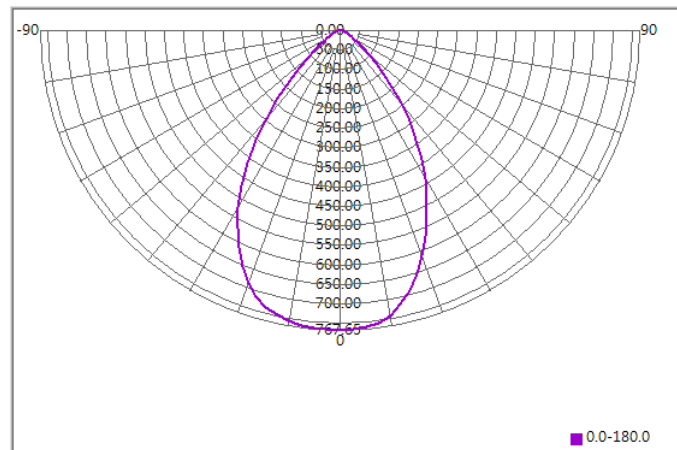




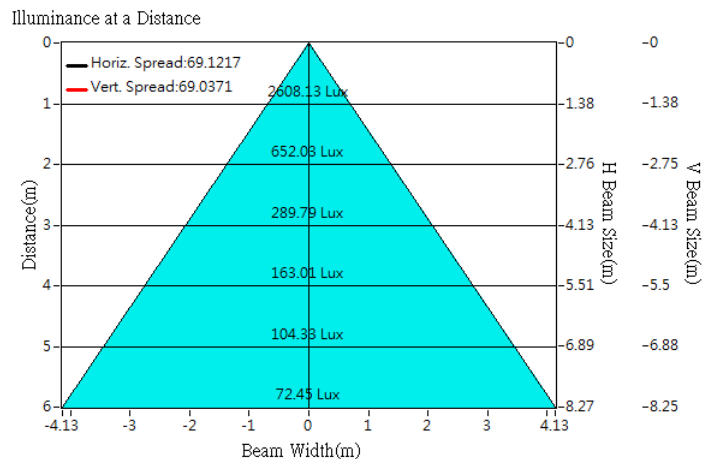
Optical Characteristics

Model Number	CKO-CS15-075033-4060		<p>"H" definition</p> 
LED	CMT1930		
LES / LED Size	Φ 14.5 mm		
FWHM (D50)	69°		
Field Angle (D10)	106°		
H (distance)	3.65 mm		
Dimension	Φ =75 mm, Thickness= 33 mm		
Luminous Flux	3397 lm	Measured @ 29.1 W	
Material	PC / UL94V2		

cd/klm



Illuminance At Distances

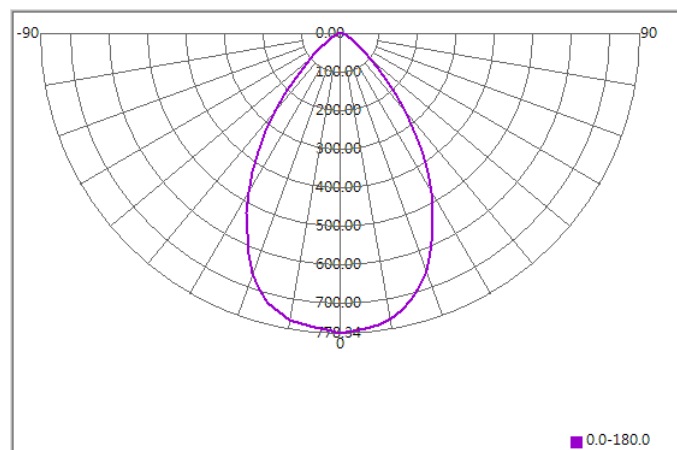




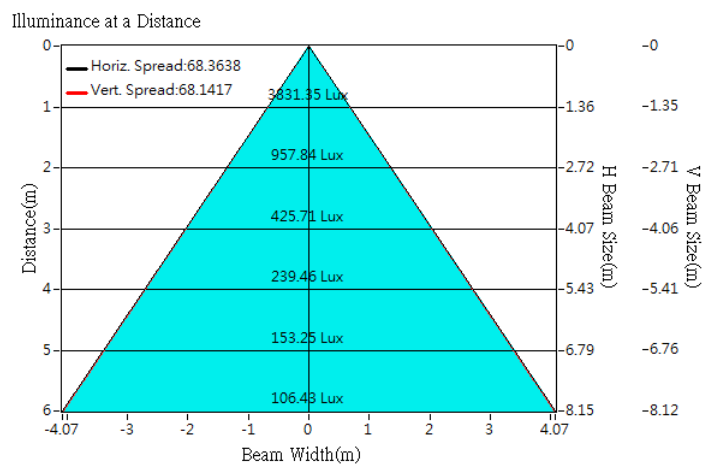
Optical Characteristics

Model Number	CKO-CS15-075033-4060		<p>"H" definition</p>
LED	CMT1945		
LES / LED Size	Φ 14.5 mm		
FWHM (D50)	68°		
Field Angle (D10)	105°		
H (distance)	3.65 mm		
Dimension	Φ =75 mm, Thickness= 33 mm		
Luminous Flux	4922 lm	Measured @ 44.2 W	
Material	PC / UL94V2		

cd/klm

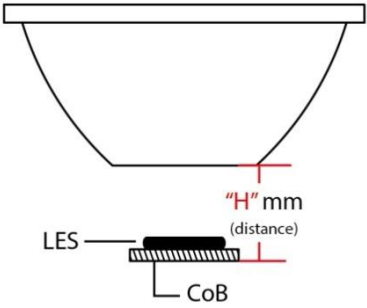


Illuminance At Distances

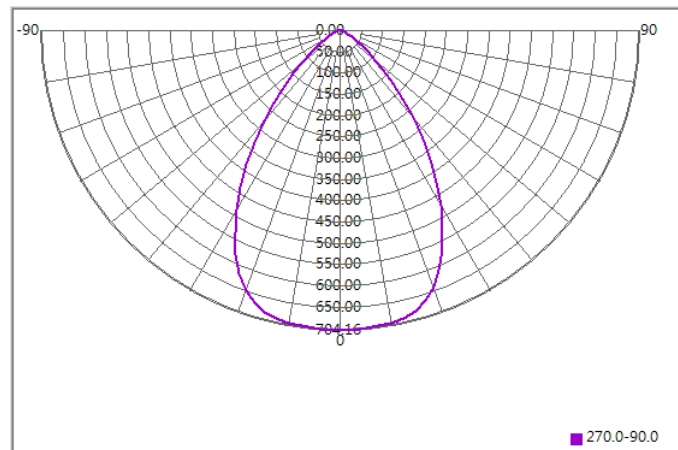




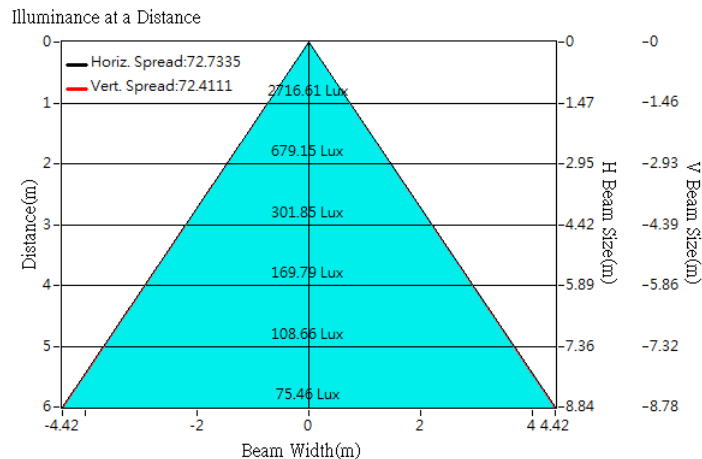
Optical Characteristics

Model Number	CKO-CS15-075033-4060		<p>"H" definition</p> 
LED	CXA 2540		
LES / LED Size	Φ 19 mm		
FWHM (D50)	72°		
Field Angle (D10)	109°		
H (distance)	3.65 mm		
Dimension	Φ =75 mm, Thickness= 33 mm		
Luminous Flux	3862 lm	Measured @ 39.6 W	
Material	PC / UL94V2		

cd/klm



Illuminance At Distances

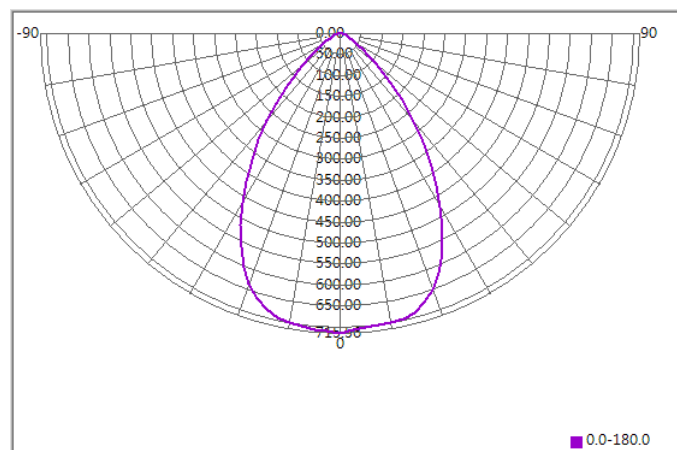




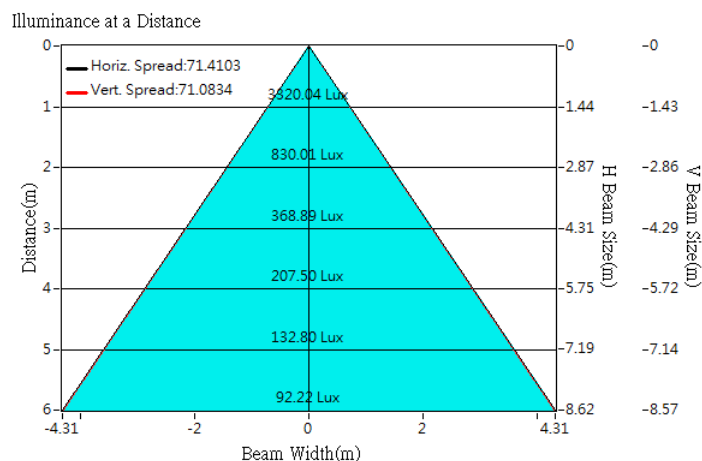
Optical Characteristics

Model Number	CKO-CS15-075033-4060		<p>"H" definition</p>
LED	CXB 2540		
LES / LED Size	Φ 19 mm		
FWHM (D50)	71°		
Field Angle (D10)	109°		
H (distance)	3.65 mm		
Dimension	Φ =75 mm, Thickness= 33 mm		
Luminous Flux	4639 lm	Measured @ 38.5 W	
Material	PC / UL94V2		

cd/klm

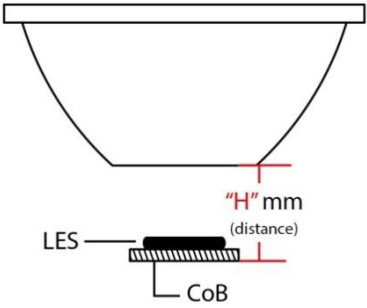


Illuminance At Distances

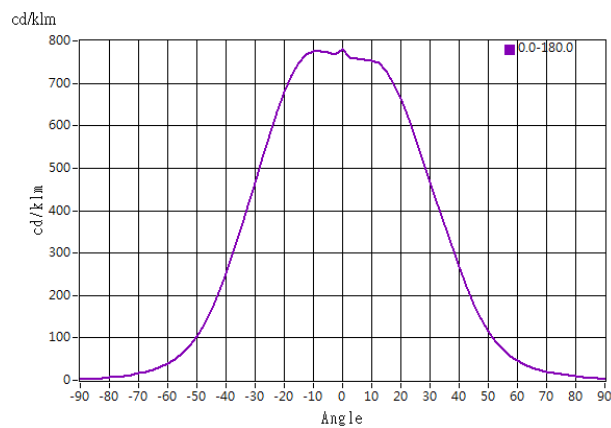




Optical Characteristics

Model Number	CKO-CS15-075033-4060		<p>"H" definition</p> 
LED	CMA2550		
LES / LED Size	Φ 19 mm		
FWHM (D50)	65°		
Field Angle (D10)	105°		
H (distance)	4.0 mm		
Dimension	Φ =75 mm, Thickness=33 mm		
Luminous Flux	5434 lm	Measured @ 42.7 W	
Material	PC / UL94V2		

cd/klm



Illuminance At Distances

