



Product Model Number

CKO-CS18-025014-0903

✓ Model Number Definitions

CKO-XXXX-XXXXXX-XXXX

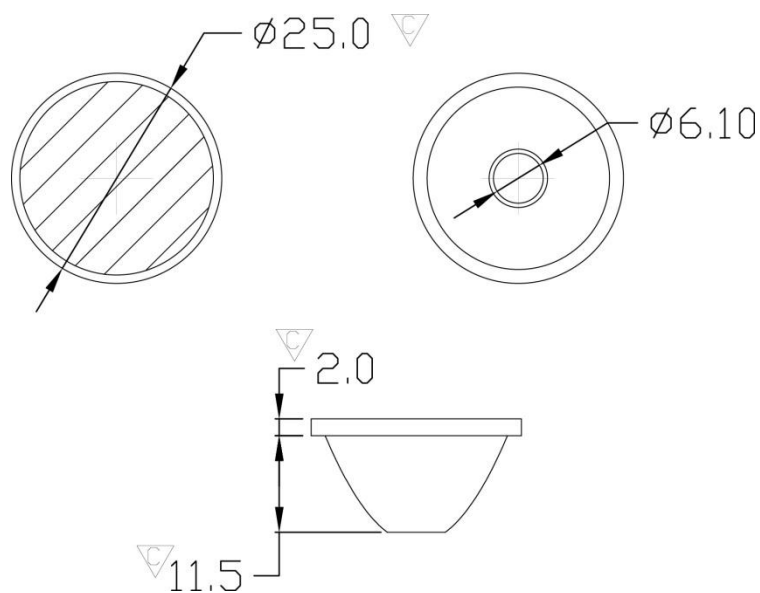


- A. Chun Kuang Optics Corp. Product
- B. Product Type: product abbreviation
Ex:
MX→Multi 33 in 1
SW→Single Wall Washer
CS→Soft Shading for CoB LED
HC→Holder for CoB LED

- C. Identity Code
- D. Lens / Fixture Size
Ex: 025014=Φ25mm / Thickness=13.5mm (round up)
- E. Serial Numbers

The lens datasheet is applicable for **Philips LED**, that manufactured by Chun Kuang Optics Corp.

✓ Dimensions (mm) : Φ25x13.5



▽:Critical Dimension



✓ **Optical Characteristics – Angle Performances**

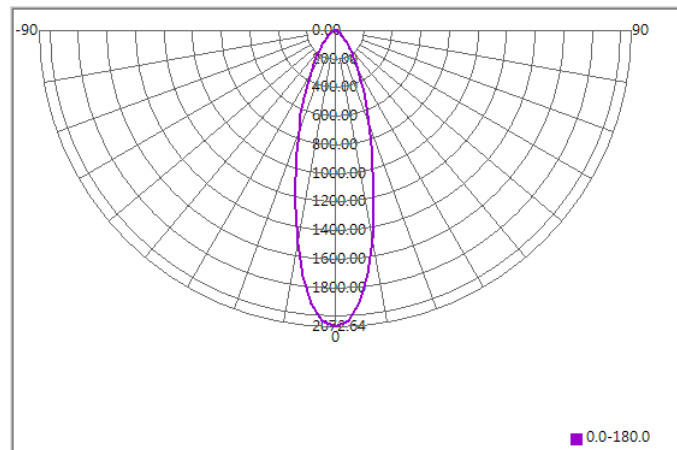
Philips	LED LES (mm)	FWHM (degrees)	Field Angle (degrees)
Fortimo SLM 1202 L06 G7	Φ6.5	30°	73°
Fortimo SLM 1202 L06 G6	Φ6.5	30°	72°



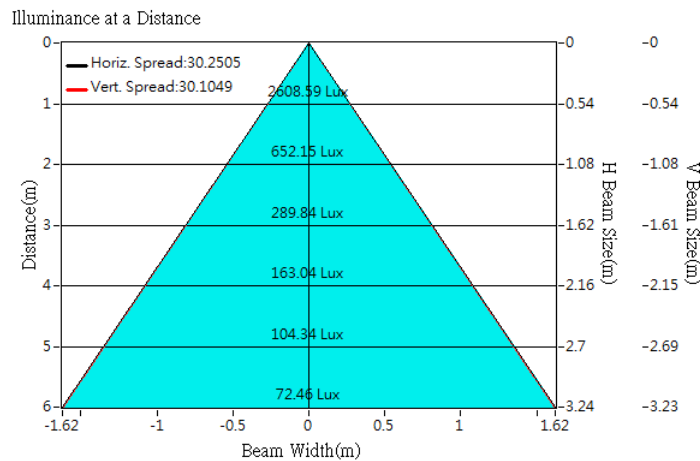
Optical Characteristics

Model Number	CKO-CS18-025014-0903		<p>"H" definition</p>
LED	Fortimo SLM 1202 L06 G7		
LES / LED Size	Φ 6.5 mm		
FWHM (D50)	30°		
Field Angle (D10)	73°		
H (distance)	2.5 mm		
Dimension	Φ =35 mm, Thickness= 17.4 mm		
Luminous Flux	1258 lm	Measured @ 12.9 W	
Material	PC / UL94V2		

cd/klm



Illuminance At Distances

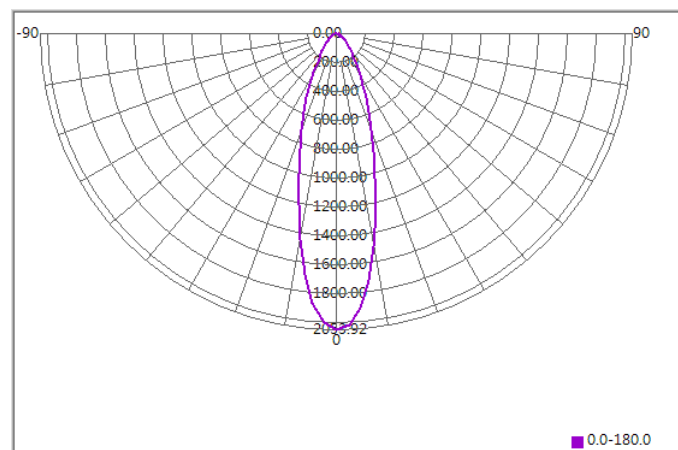




Optical Characteristics

Model Number	CKO-CS18-025014-0903		<p>"H" definition</p>
LED	Fortimo SLM 1202 L06 G6		
LES / LED Size	Φ 6.5 mm		
FWHM (D50)	30°		
Field Angle (D10)	72°		
H (distance)	2.5 mm		
Dimension	Φ =35 mm, Thickness= 17.4 mm		
Luminous Flux	764 lm	Measured @ 7.0 W	
Material	PC / UL94V2		

cd/klm



Illuminance At Distances

