



Product Model Number

CKO-CS18-025014-0905

✓ Model Number Definitions

CKO-XXXX-XXXXXX-XXXX

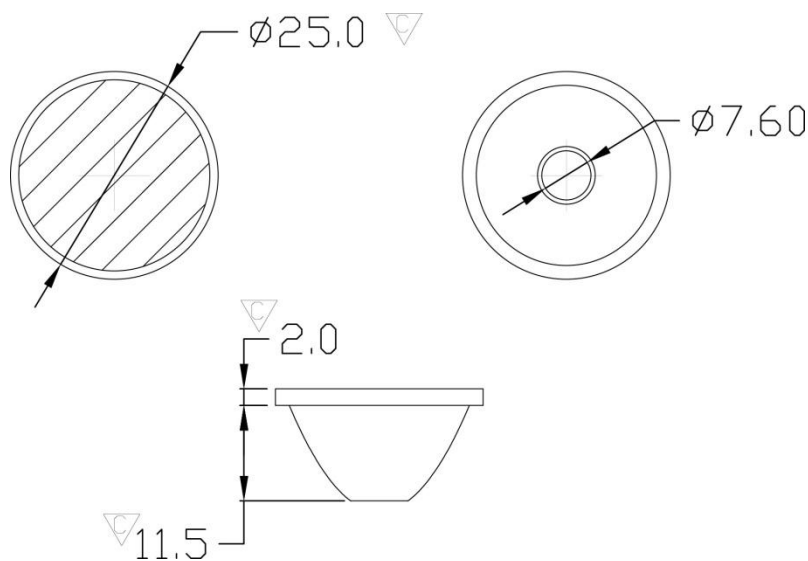


- A. Chun Kuang Optics Corp. Product
- B. Product Type: product abbreviation
Ex:
MX→Multi 33 in 1
SW→Single Wall Washer
CS→Soft Shading for CoB LED
HC→Holder for CoB LED

- C. Identity Code
- D. Lens / Fixture Size
Ex: 025014=Φ25mm / Thickness=13.5mm (round up)
- C. Serial Numbers

The lens datasheet is applicable for **Osram LED**, that manufactured by Chun Kuang Optics Corp.

✓ Dimensions (mm) : Φ25x13.5



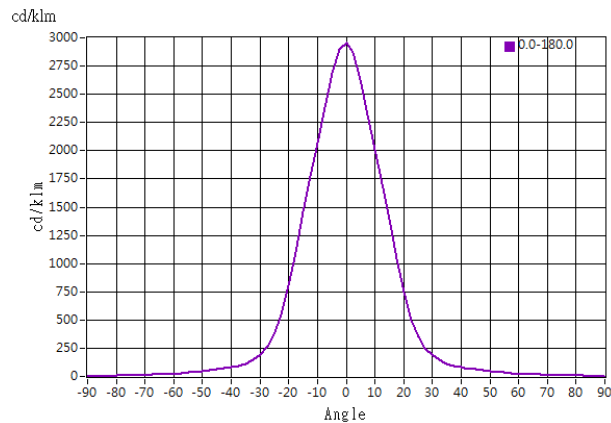
▽:Critical Dimension



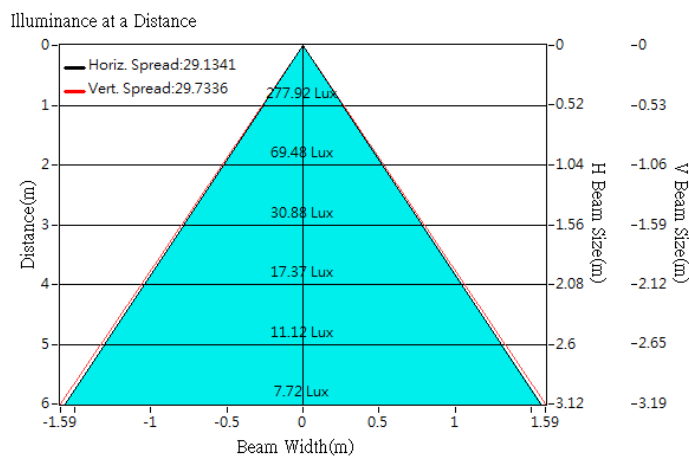
Optical Characteristics

Model Number	CKO-CS18-025014-0905		<p>"H" definition</p>
LED	Oslon square		
LES / LED Size	3.0 x 3.0		
FWHM (D50)	29°		
Field Angle (D10)	53°		
H (distance)	0 mm		
Dimension	Φ =25 mm, Thickness=13.5 mm		
Luminous Flux	94lm	Measured @ 1.1W	
Material	PC / UL94V2		

cd/klm



Illuminance At Distances

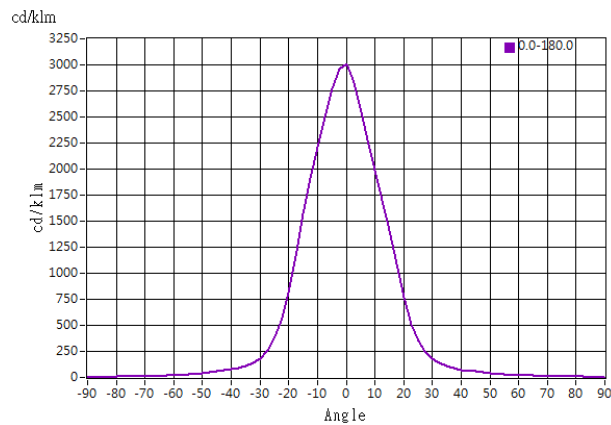




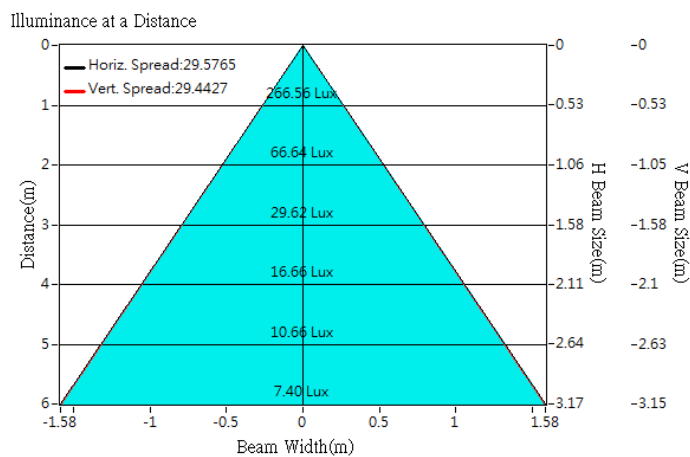
Optical Characteristics

Model Number	CKO-CS18-025014-0905		<p>"H" definition</p>
LED	SSL 80		
LES / LED Size	3.0 x 3.0		
FWHM (D50)	30°		
Field Angle (D10)	53°		
H (distance)	0 mm		
Dimension	Φ =25 mm, Thickness=13.5 mm		
Luminous Flux	89 lm	Measured @ 1.1W	
Material	PC / UL94V2		

cd/klm



Illuminance At Distances

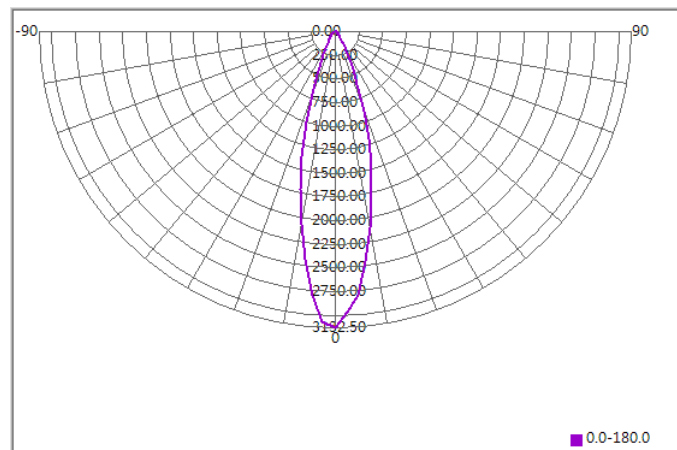




Optical Characteristics

Model Number	CKO-CS18-025014-0905		<p>"H" definition</p>
LED	Oslon SSL 150		
LES / LED Size	3.0 x 3.0		
FWHM (D50)	28°		
Field Angle (D10)	54°		
H (distance)	0 mm		
Dimension	Φ =25 mm, Thickness=13.5 mm		
Luminous Flux	86 lm	Measured @ 1.1W	
Material	PC / UL94V2		

cd/klm



Illuminance At Distances

