



## Product Model Number

**CKO-CS18-035018-1303**

### ✓ Model Number Definitions

**CKO-XXXX-XXXXXX-XXXX**

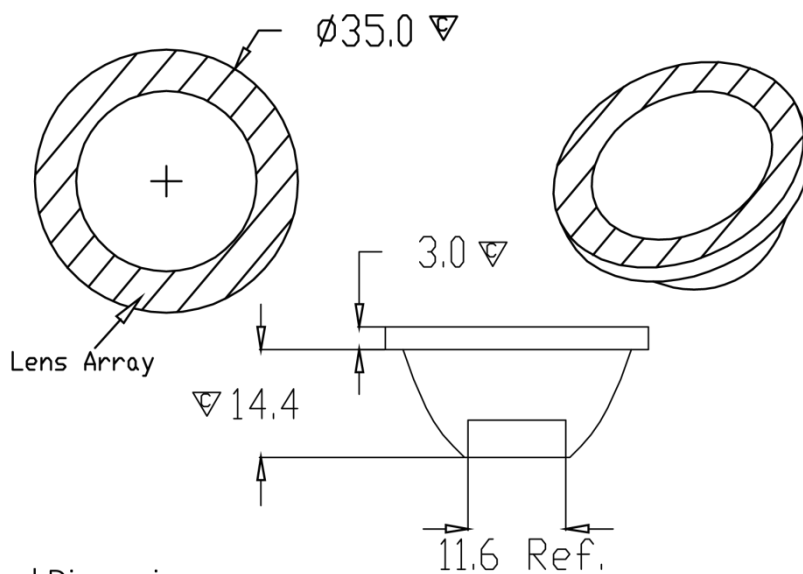


- A. Chun Kuang Optics Corp. Product
- B. Product Type: product abbreviation  
Ex:  
CH→CoB High Intensity  
CC→CoB Compact  
CS→Soft Shading for CoB LED  
HC→Holder for CoB LED

- C. Identity Code
- D. Lens / Fixture Size  
Ex: 075026=Φ75mm / Thickness=26mm (round up)
- C. Serial Numbers

The lens datasheet is applicable for **Lumileds LED**, that manufactured by Chun Kuang Optics Corp.

### ✓ Dimensions (mm) : Φ35 x 17.4



▽:Critical Dimension



✓ **Optical Characteristics – Angle Performances**

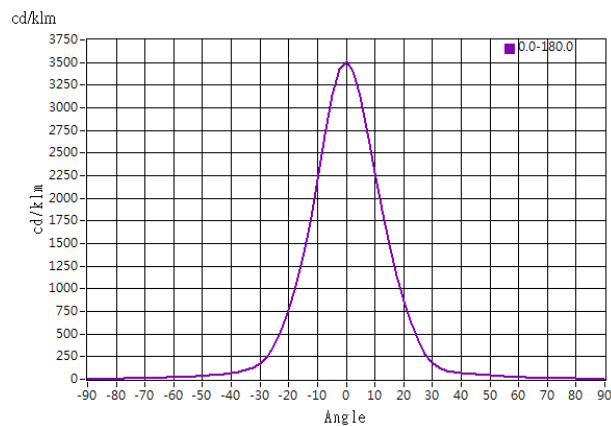
Lumileds	LED LES (mm)	FWHM (degrees)	Field Angle (degrees)
LUXEON 1202 HD	Φ6.5	26°	52°
LUXEON 1203	Φ9	29°	60°



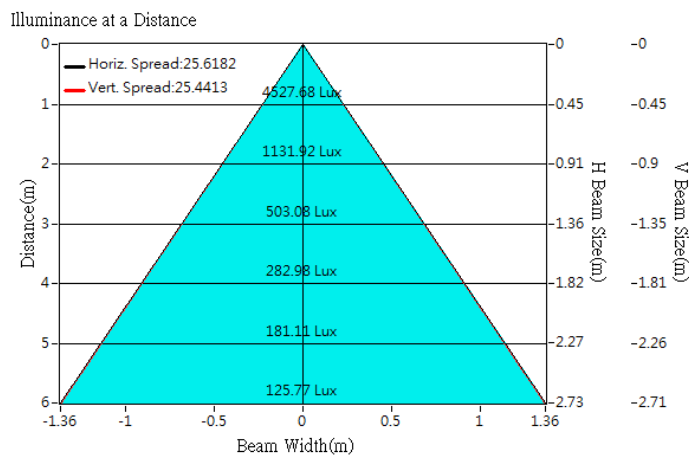
## Optical Characteristics

Model Number	CKO-CS18-035018-1303		<p>"H" definition</p> <p>LES CoB</p>
LED	<b>LUXEON 1202 HD</b>		
LES / LED Size	Φ 6.5 mm		
FWHM (D50)	26°		
Field Angle (D10)	52°		
H (distance)	2.5 mm		
Dimension	Φ =35 mm, Thickness= 17.4 mm		
Luminous Flux	1290 lm	Measured @ 10.9 W	
Material	PC / UL94V2		

## cd/klm



## Illuminance At Distances

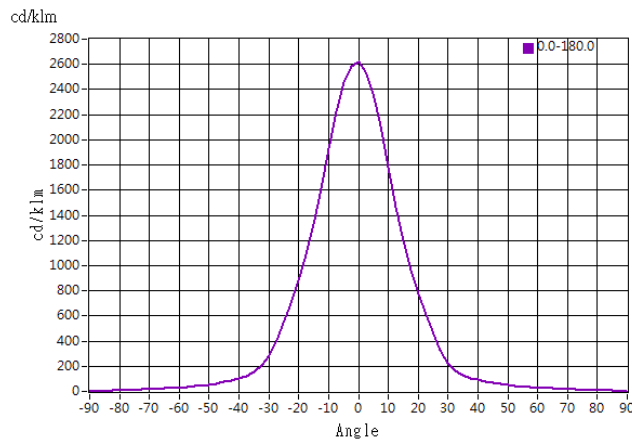




## Optical Characteristics

Model Number	CKO-CS18-035018-1303		<p>"H" definition</p>
LED	<b>LUXEON 1203</b>		
LES / LED Size	Φ 9 mm		
FWHM (D50)	29°		
Field Angle (D10)	60°		
H (distance)	2.5 mm		
Dimension	Φ =35 mm, Thickness= 17.4 mm		
Luminous Flux	752 lm	Measured @ 11.2 W	
Material	PC / UL94V2		

## cd/klm



## Illuminance At Distances

