



Product Model Number

CKO-CS18-035018-1305

✓ Model Number Definitions

CKO-XXXX-XXXXXX-XXXX

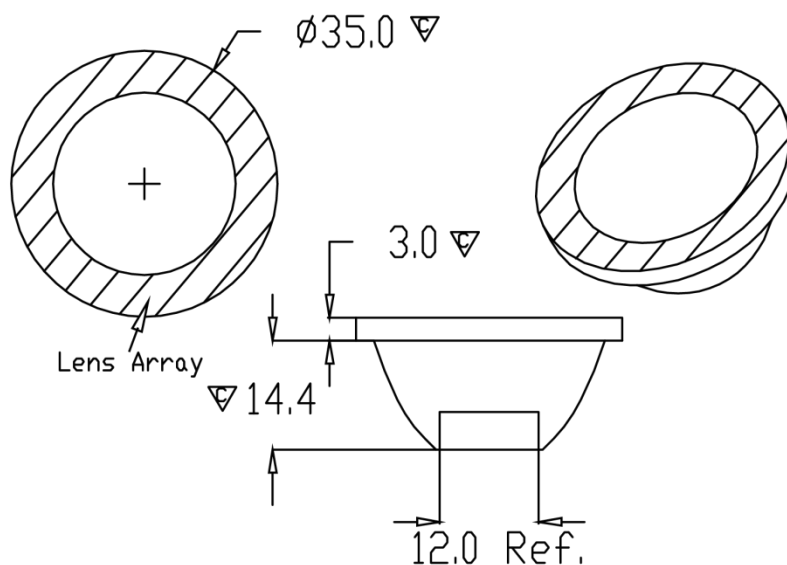


- A. Chun Kuang Optics Corp. Product
- B. Product Type: product abbreviation
Ex:
CH→CoB High Intensity
CC→CoB Compact
CS→Soft Shading for CoB LED
HC→Holder for CoB LED

- C. Identity Code
- D. Lens / Fixture Size
Ex: 075026=Φ75mm / Thickness=26mm (round up)
- C. Serial Numbers

The lens datasheet is applicable for **Citizen LED**, that manufactured by Chun Kuang Optics Corp.

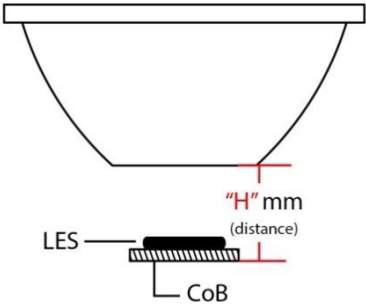
✓ Dimensions (mm) : Φ35 x 17.4



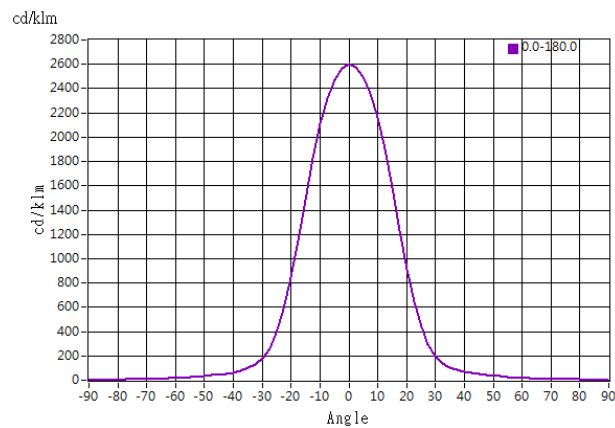
▽:Critical Dimension



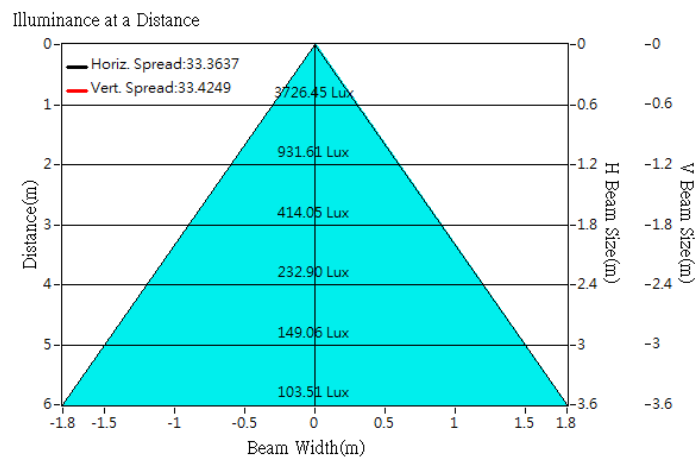
Optical Characteristics

Model Number	CKO-CS18-035018-1305		<p>"H" definition</p> 
LED	CLU 700		
LES / LED Size	Φ 6 mm		
FWHM (D50)	33°		
Field Angle (D10)	56°		
H (distance)	2.5mm		
Dimension	Φ =35 mm, Thickness=17.4 mm		
Luminous Flux	1431 lm	Measured @ 14.4 W	
Material	PC / UL94V2		

cd/klm



Illuminance At Distances

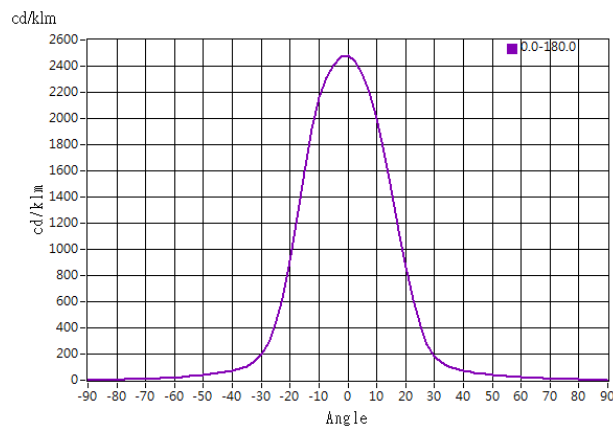




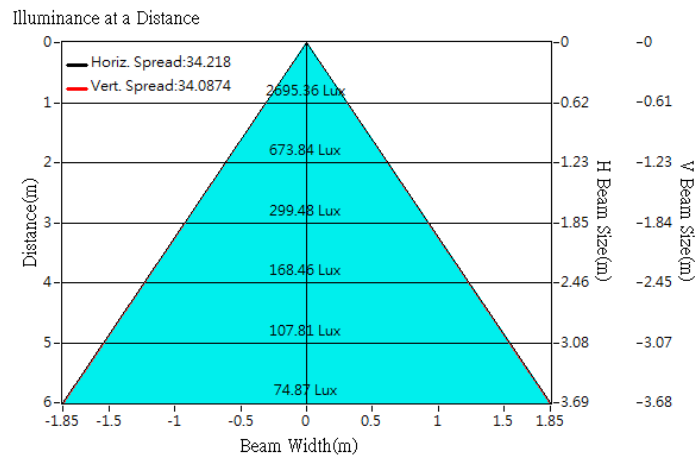
Optical Characteristics

Model Number	CKO-CS18-035018-1305		<p>"H" definition</p>
LED	CLU 701		
LES / LED Size	Φ 6 mm		
FWHM (D50)	34°		
Field Angle (D10)	57°		
H (distance)	2.5mm		
Dimension	Φ =35 mm, Thickness=17.4 mm		
Luminous Flux	1086 lm	Measured @ 10.8 W	
Material	PC / UL94V2		

cd/klm



Illuminance At Distances

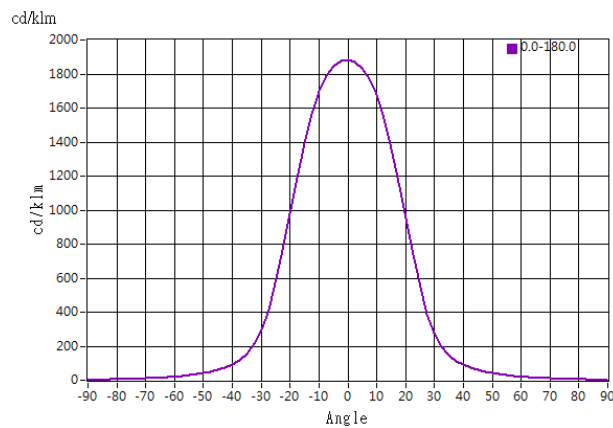




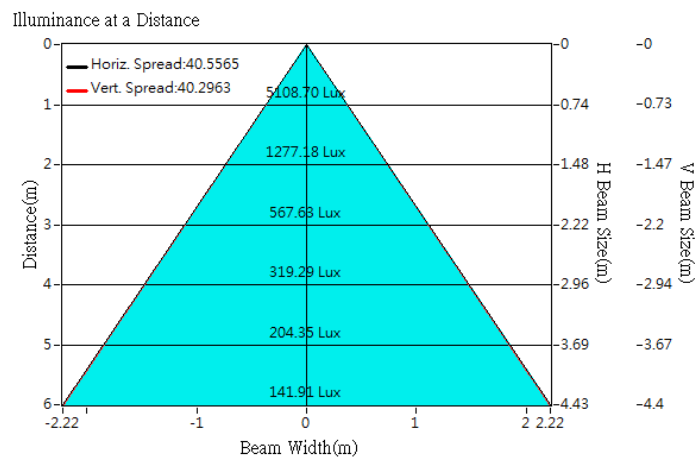
Optical Characteristics

Model Number	CKO-CS18-035018-1305		<p>"H" definition</p>
LED	CLU 710		
LES / LED Size	Φ 8.5 mm		
FWHM (D50)	41°		
Field Angle (D10)	67°		
H (distance)	2.5mm		
Dimension	Φ =35 mm, Thickness=17.4 mm		
Luminous Flux	2715 lm	Measured @ 26.2 W	
Material	PC / UL94V2		

cd/klm



Illuminance At Distances

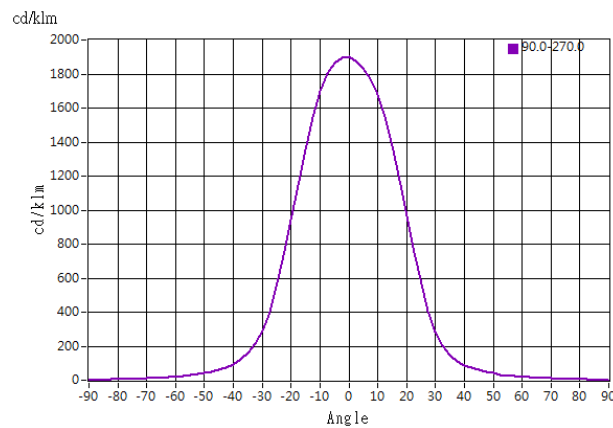




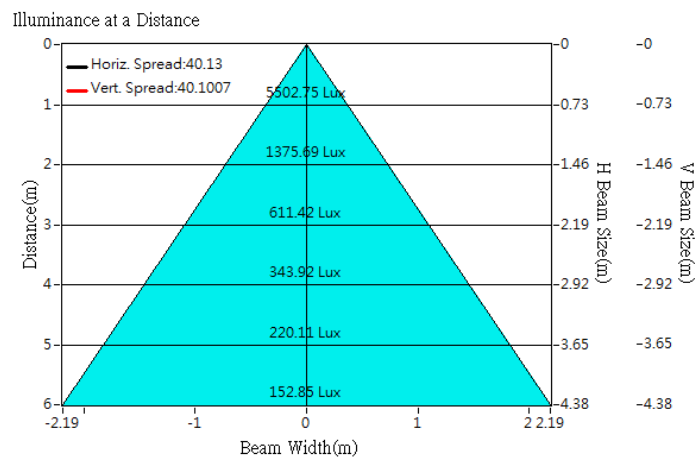
Optical Characteristics

Model Number	CKO-CS18-035018-1305		<p>"H" definition</p>
LED	CLU 711		
LES / LED Size	Φ 8.5 mm		
FWHM (D50)	40°		
Field Angle (D10)	67°		
H (distance)	2.5mm		
Dimension	Φ =35 mm, Thickness=17.4 mm		
Luminous Flux	2896 lm	Measured @ 25.4 W	
Material	PC / UL94V2		

cd/klm



Illuminance At Distances

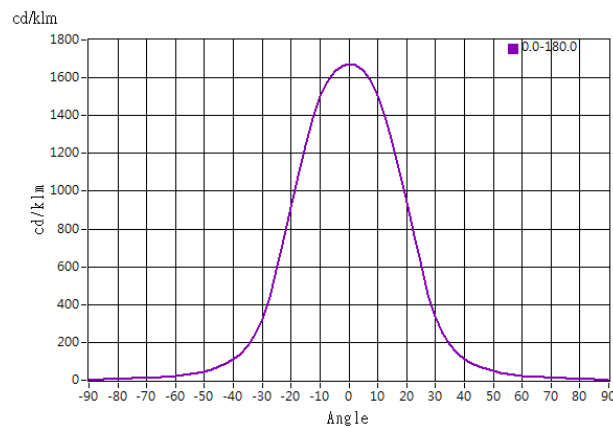




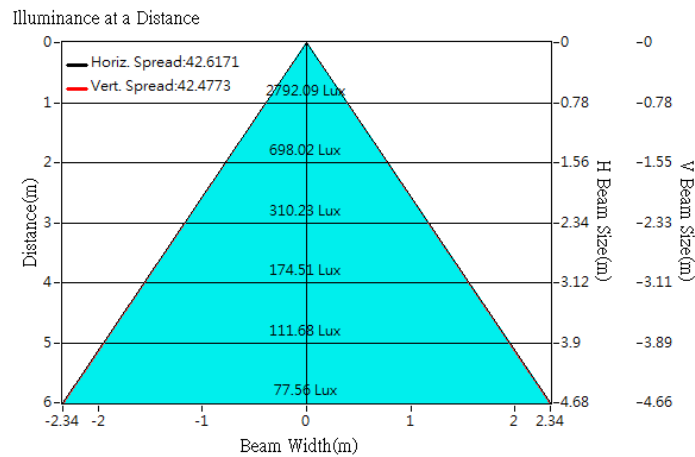
Optical Characteristics

Model Number	CKO-CS18-035018-1305		<p>"H" definition</p>
LED	CLU 026		
LES / LED Size	Φ 9.8 mm		
FWHM (D50)	43°		
Field Angle (D10)	72°		
H (distance)	2.5mm		
Dimension	Φ =35 mm, Thickness=17.4 mm		
Luminous Flux	1668 lm	Measured @ 12.4 W	
Material	PC / UL94V2		

cd/klm



Illuminance At Distances

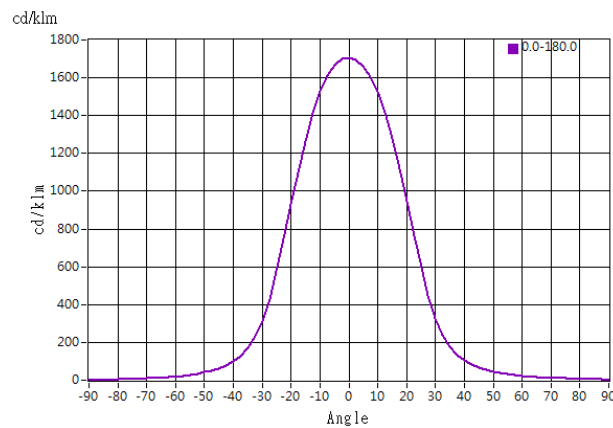




Optical Characteristics

Model Number	CKO-CS18-035018-1305		<p>"H" definition</p>
LED	CLU 028		
LES / LED Size	Φ 9.8 mm		
FWHM (D50)	42°		
Field Angle (D10)	70°		
H (distance)	2.5mm		
Dimension	Φ =35 mm, Thickness=17.4 mm		
Luminous Flux	1732 lm	Measured @ 12.5 W	
Material	PC / UL94V2		

cd/klm



Illuminance At Distances

