

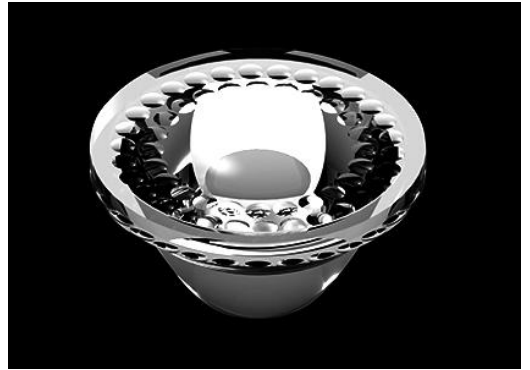


Product Model Number

CKO-CS18-035018-1306

✓ Model Number Definitions

CKO-XXXX-XXXXXX-XXXX

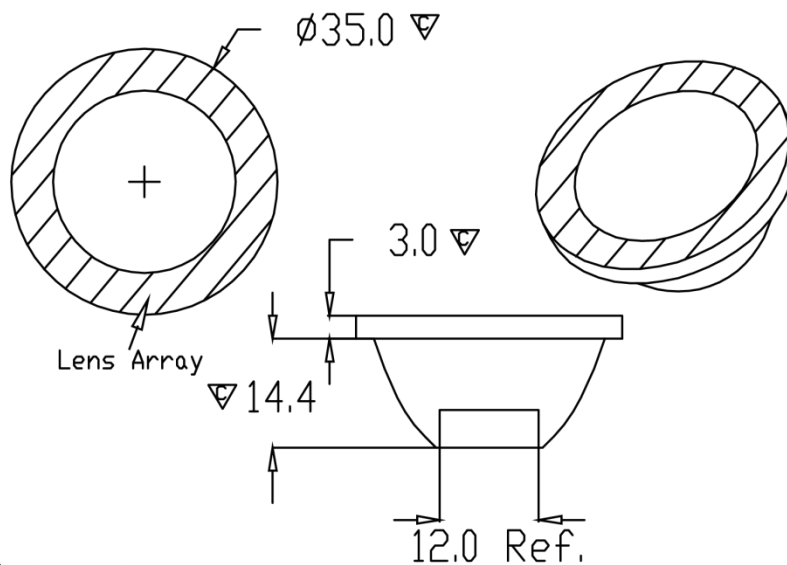


- A. Chun Kuang Optics Corp. Product
- B. Product Type: product abbreviation
Ex:
CH→CoB High Intensity
CC→CoB Compact
CS→Soft Shading for CoB LED
HC→Holder for CoB LED

- C. Identity Code
- D. Lens / Fixture Size
Ex: 075026=Φ75mm / Thickness=26mm (round up)
- C. Serial Numbers

The lens datasheet is applicable for **Citizen LED**, that manufactured by Chun Kuang Optics Corp.

✓ Dimensions (mm) : Φ35 x 17.4



▽:Critical Dimension



✓ Optical Characteristics – Angle Performances

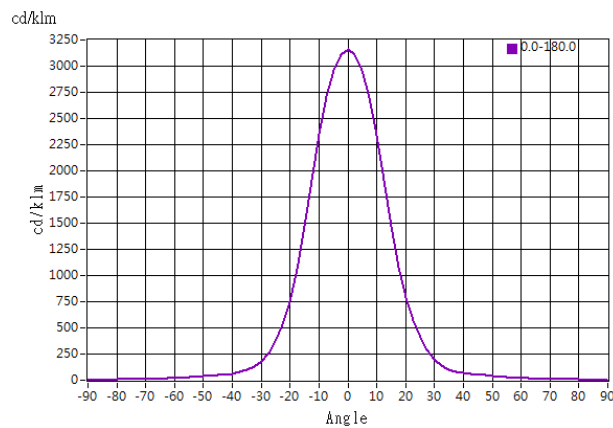
Citizen	LED LES (mm)	FWHM (degrees)	Field Angle (degrees)
CLU 701	Φ6	28°	52°
CLU 700	Φ6	29°	53°
CLU 711	Φ8.5	33°	61°
CLU 710	Φ8.5	33°	62°
CLU 028	Φ9.8	35°	65°
CLU 026	Φ9.8	35°	66°



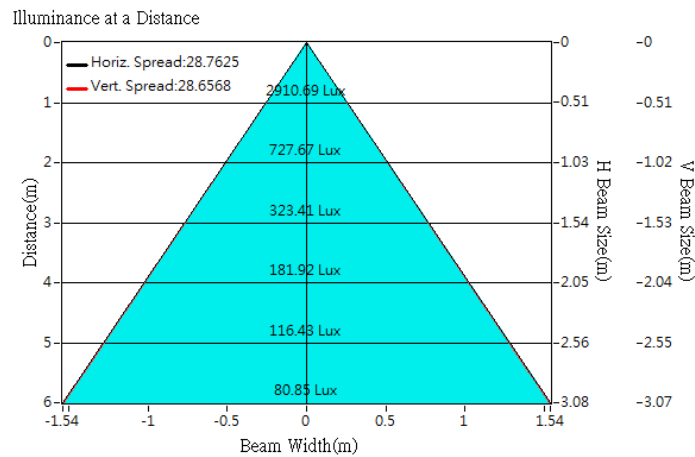
Optical Characteristics

Model Number	CKO-CS18-035018-1306		<p>"H" definition</p>
LED	CLU 700		
LES / LED Size	Φ 6 mm		
FWHM (D50)	29°		
Field Angle (D10)	53°		
H (distance)	2.5mm		
Dimension	Φ =35 mm, Thickness=17.4 mm		
Luminous Flux	921 lm	Measured @ 7.9 W	
Material	PC / UL94V2		

cd/klm



Illuminance At Distances

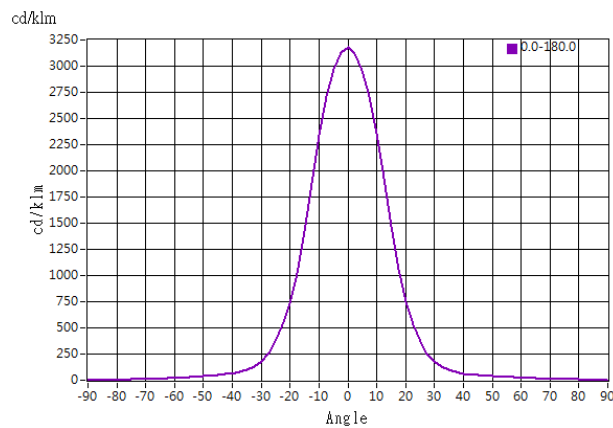




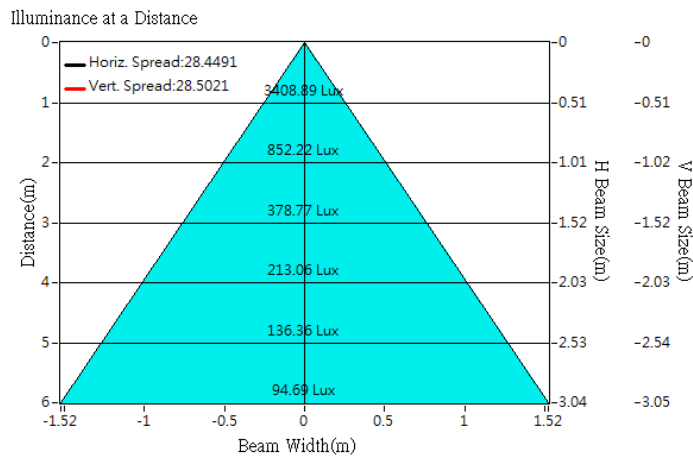
Optical Characteristics

Model Number	CKO-CS18-035018-1306		<p>"H" definition</p>
LED	CLU 701		
LES / LED Size	Φ 6 mm		
FWHM (D50)	28°		
Field Angle (D10)	52°		
H (distance)	2.5mm		
Dimension	Φ =35 mm, Thickness=17.4 mm		
Luminous Flux	1073 lm	Measured @ 10.8 W	
Material	PC / UL94V2		

cd/klm

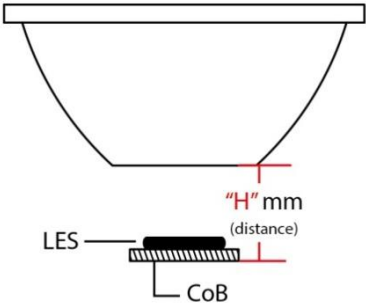


Illuminance At Distances

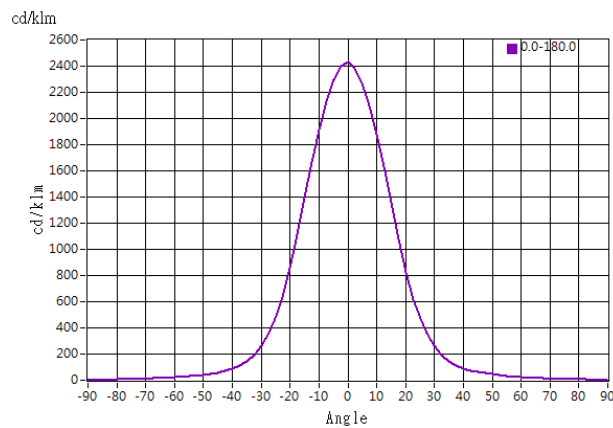




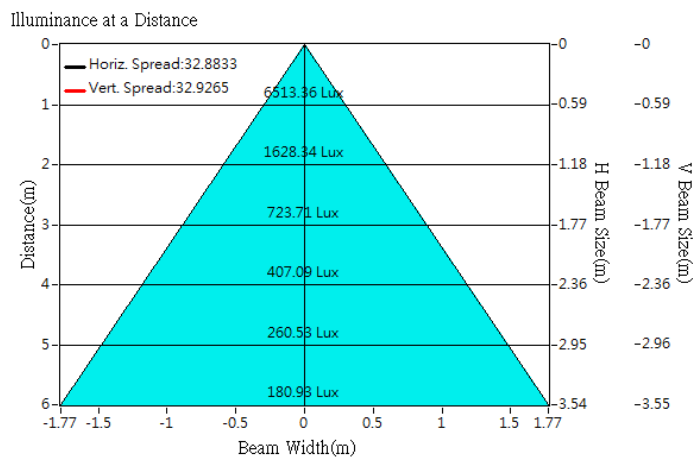
Optical Characteristics

Model Number	CKO-CS18-035018-1306		<p>"H" definition</p> 
LED	CLU 710		
LES / LED Size	Φ 8.5 mm		
FWHM (D50)	33°		
Field Angle (D10)	62°		
H (distance)	2.5mm		
Dimension	Φ =35 mm, Thickness=17.4 mm		
Luminous Flux	2676 lm	Measured @ 26.2 W	
Material	PC / UL94V2		

cd/klm



Illuminance At Distances

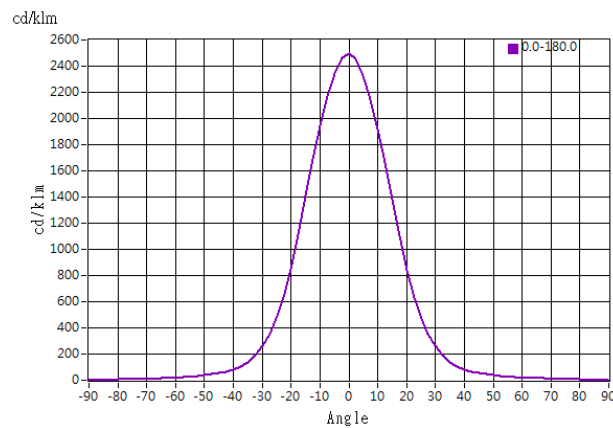




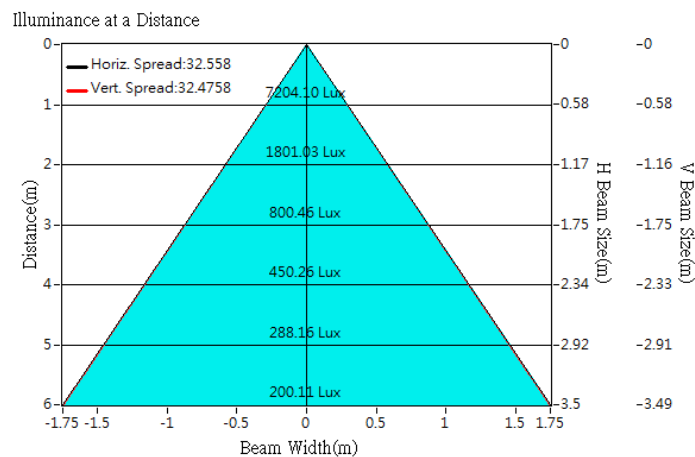
Optical Characteristics

Model Number	CKO-CS18-035018-1306		<p>"H" definition</p>
LED	CLU 711		
LES / LED Size	Φ 8.5 mm		
FWHM (D50)	33°		
Field Angle (D10)	61°		
H (distance)	2.5mm		
Dimension	Φ =35 mm, Thickness=17.4 mm		
Luminous Flux	2885 lm	Measured @ 25.4 W	
Material	PC / UL94V2		

cd/klm



Illuminance At Distances

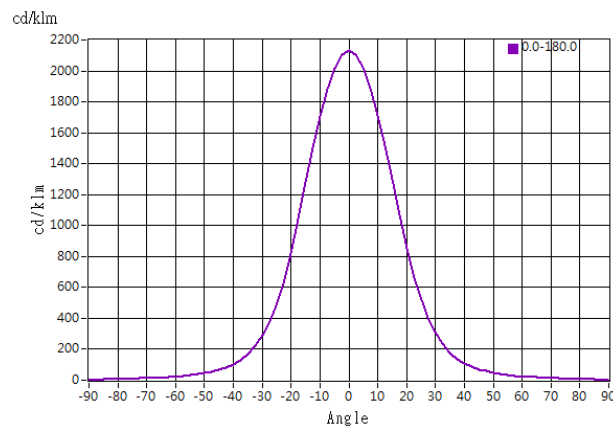




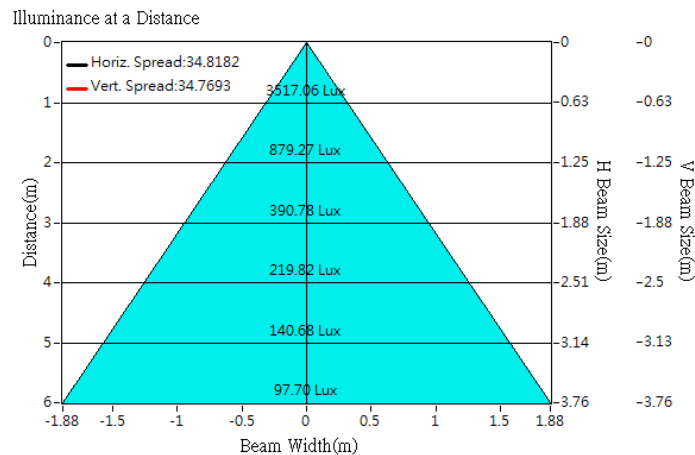
Optical Characteristics

Model Number	CKO-CS18-035018-1306		<p>"H" definition</p>
LED	CLU 026		
LES / LED Size	Φ 9.8 mm		
FWHM (D50)	35°		
Field Angle (D10)	66°		
H (distance)	2.5mm		
Dimension	Φ =35 mm, Thickness=17.4 mm		
Luminous Flux	1648 lm	Measured @ 12.4 W	
Material	PC / UL94V2		

cd/klm

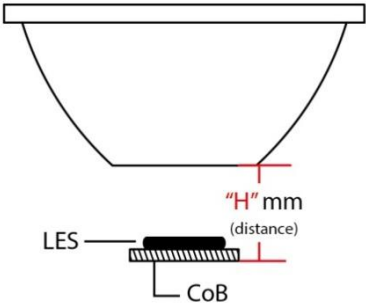


Illuminance At Distances

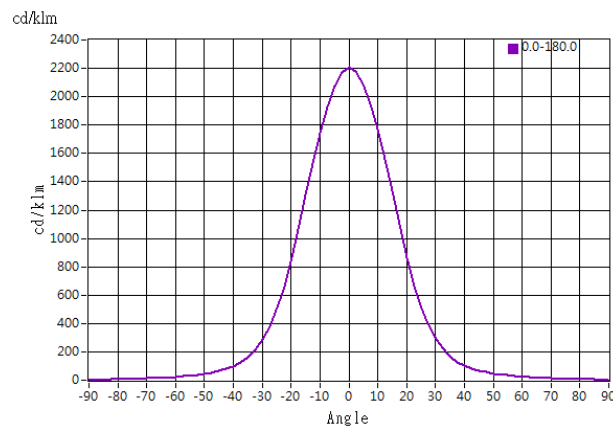




Optical Characteristics

Model Number	CKO-CS18-035018-1306		<p>"H" definition</p> 
LED	CLU 028		
LES / LED Size	Φ 9.8 mm		
FWHM (D50)	35°		
Field Angle (D10)	65°		
H (distance)	2.5mm		
Dimension	Φ =35 mm, Thickness=17.4 mm		
Luminous Flux	1726 lm	Measured @ 12.5 W	
Material	PC / UL94V2		

cd/klm



Illuminance At Distances

