

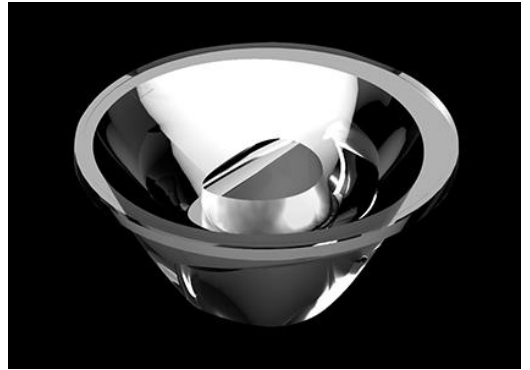


Product Part Number

CKO-CW15-075033-4021

✓ Model Number Definitions

CKO-XXXX-XXXXXX-XXXX

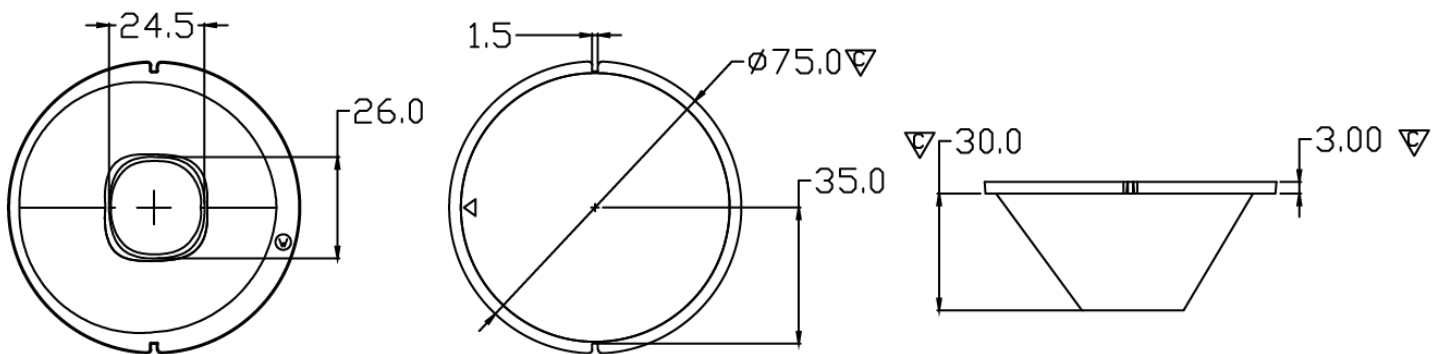


- A. Chun Kuang Optics Corp. Product
- B. Product Type: product abbreviation
Ex:
MX→Multi 33 in 1
SW→Single Wall Washer
CW→Wall Washer for CoB LED
HC→Holder for CoB LED

- C. Identity Code
- D. Lens / Fixture Size
Ex: 075026=Φ75mm / Thickness=26mm (round up)
- E. Serial Numbers

The lens datasheet is applicable for **Philips LED**, that manufactured by Chun Kuang Optics Corp.

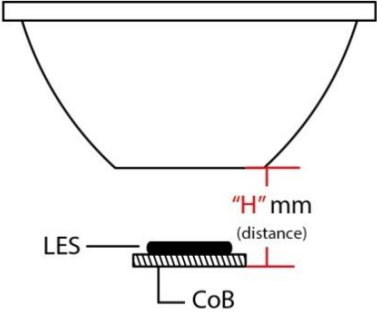
✓ Dimensions (mm) : Φ75x33



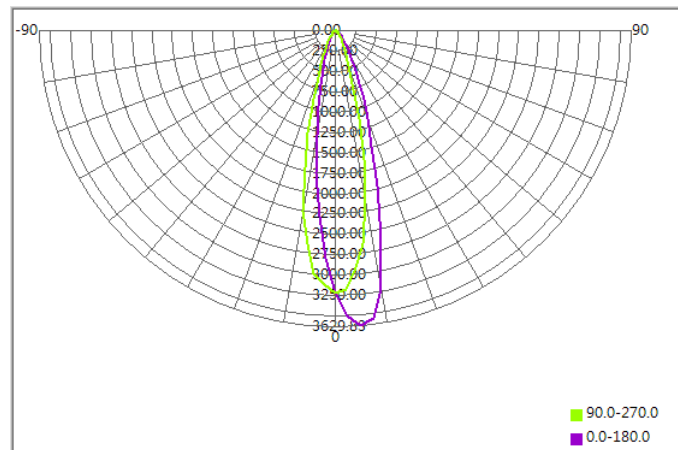
▽:Critical Dimension



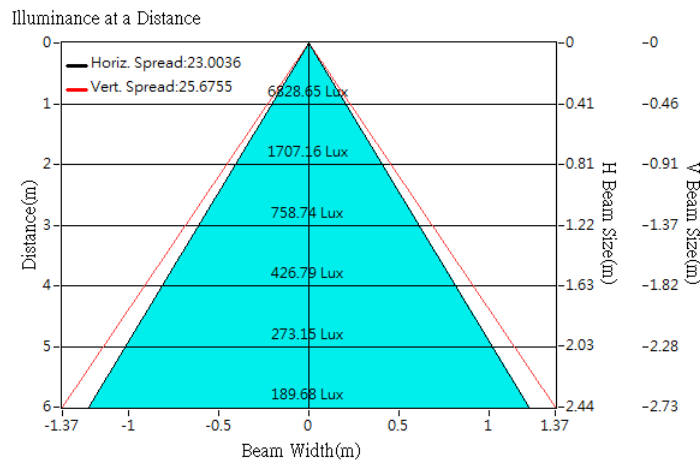
Optical Characteristics

Part Number	CKO-CW15-075033-4021		<p>"H" definition</p> 
LED	Fortimo SLM 1205 L15 G7N		
LES / LED Size	Φ14.5		
FWHM (D50)	23°x27°		
H (distance)	3.65 mm		
Dimension	Φ =75 mm, Thickness=33 mm		
Luminous Flux	2123 lm	Measured @ 15.4 W	
Material	PC / UL94V2		

cd/klm



Illuminance At Distances

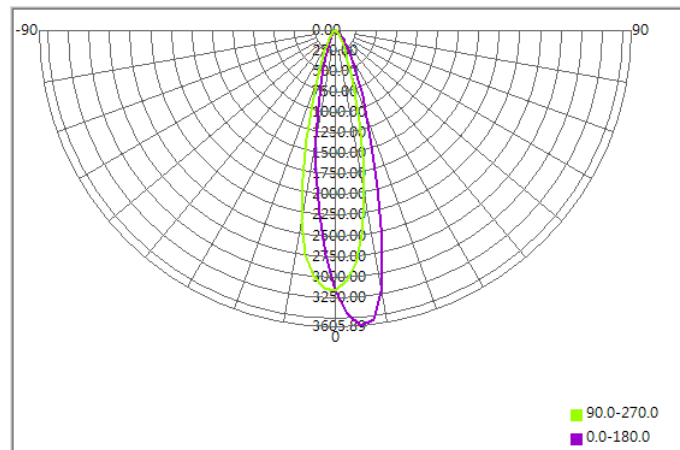




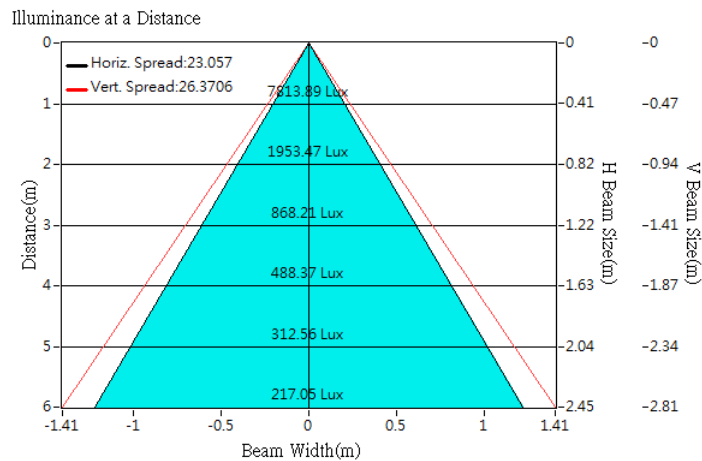
Optical Characteristics

Part Number	CKO-CW15-075033-4021		<p>"H" definition</p> <p>LES CoB</p>
LED	Fortimo SLM 1206 L15 G7N		
LES / LED Size	Φ14.5		
FWHM (D50)	23°x27°		
H (distance)	3.65 mm		
Dimension	Φ =75 mm, Thickness=33 mm		
Luminous Flux	2473 lm	Measured @ 19.5 W	
Material	PC / UL94V2		

cd/klm



Illuminance At Distances

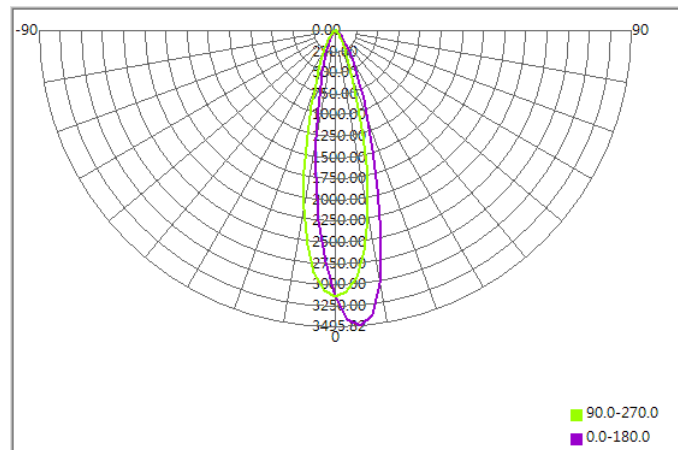




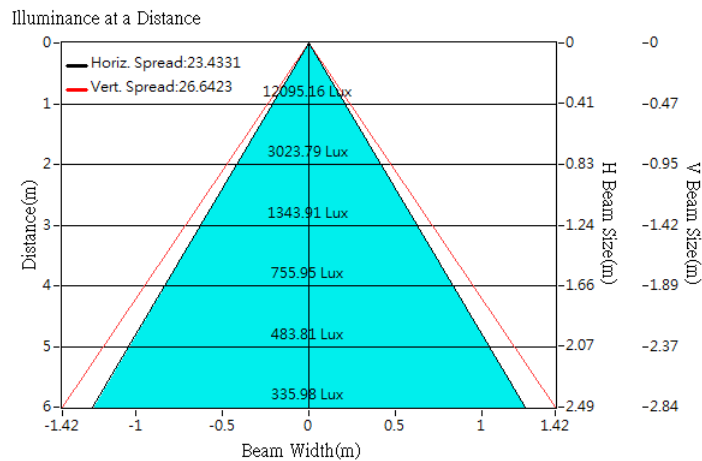
Optical Characteristics

Part Number	CKO-CW15-075033-4021		<p>"H" definition</p>
LED	Fortimo SLM 1210 L15 G7N		
LES / LED Size	Φ14.5		
FWHM (D50)	23°x27°		
H (distance)	3.65 mm		
Dimension	Φ =75 mm, Thickness=33 mm		
Luminous Flux	3850 lm	Measured @ 30.7 W	
Material	PC / UL94V2		

cd/klm

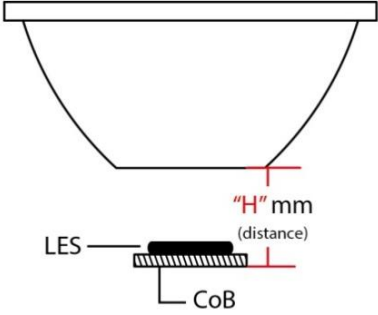


Illuminance At Distances

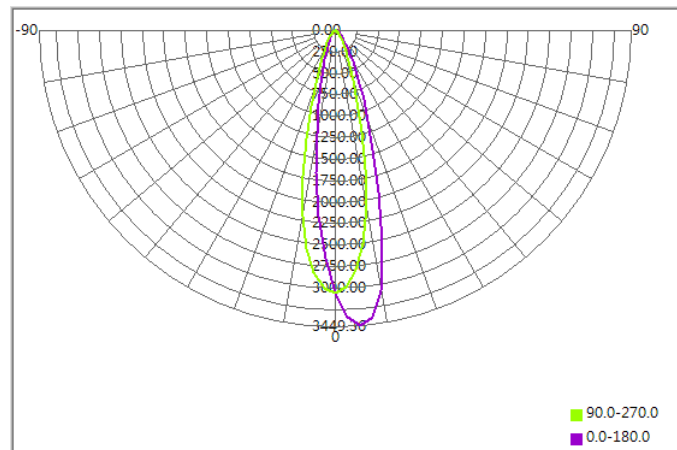




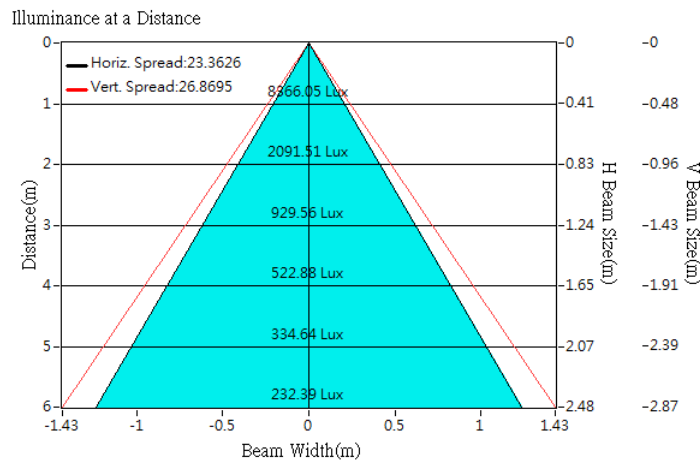
Optical Characteristics

Part Number	CKO-CW15-075033-4021		"H" definition 
LED	Fortimo SLM 1208 L15 G7		
LES / LED Size	Φ 15 mm		
FWHM (D50)	23°x27°		
H (distance)	3.65 mm		
Dimension	Φ =75 mm, Thickness=33 mm		
Luminous Flux	2735 lm	Measured @ 26.1 W	
Material	PC / UL94V2		

cd/klm

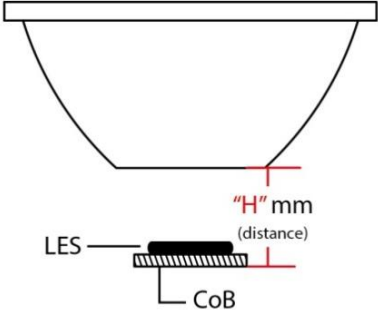


Illuminance At Distances

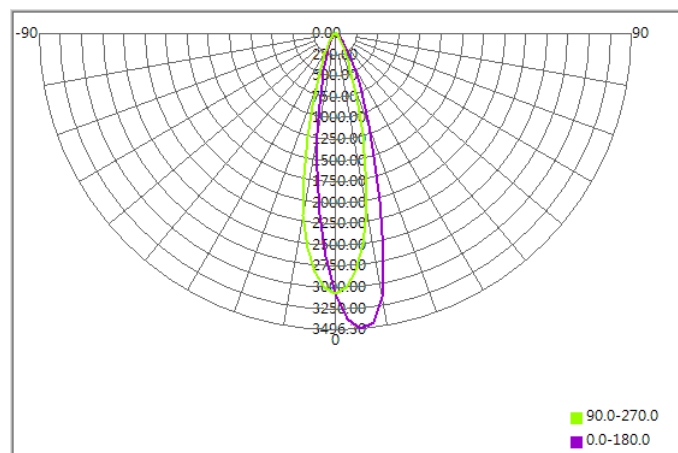




Optical Characteristics

Part Number	CKO-CW15-075033-4021		<p>"H" definition</p> 
LED	Fortimo SLM 1208 L15 G6		
LES / LED Size	Φ 15 mm		
FWHM (D50)	23°x27°		
H (distance)	3.65 mm		
Dimension	Φ =75 mm, Thickness=33 mm		
Luminous Flux	2338 lm	Measured @ 26.8 W	
Material	PC / UL94V2		

cd/klm



Illuminance At Distances

