



Product Model Number

CKO - CW15 - 075033 - 4021

✓ Model Number Definitions

CKO-XXXX-XXXXXX-XXXX

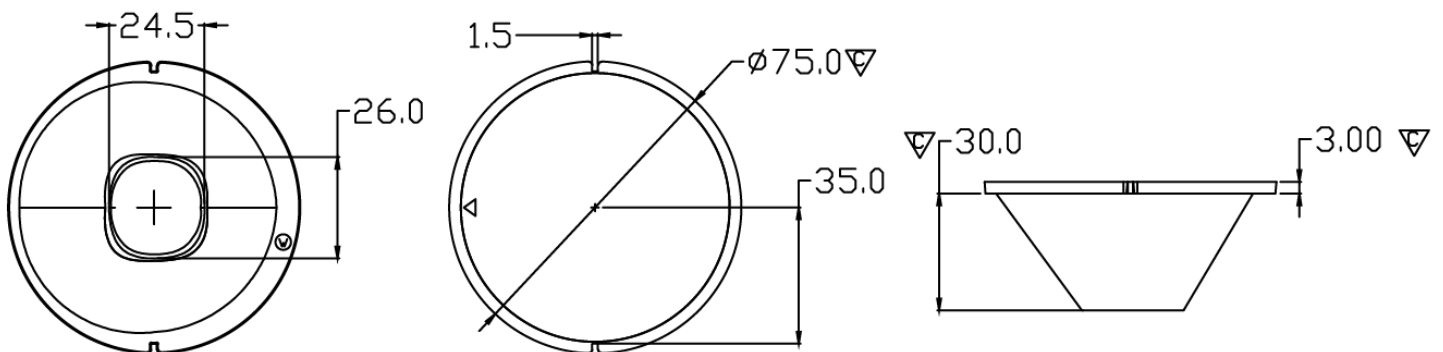


- A. Chun Kuang Optics Corp. Product
- B. Product Type: product abbreviation
Ex:
CH→CoB High Intensity
CC→CoB Compact
CS→Soft Shading for CoB LED
HC→Holder for CoB LED

- C. Identity Code
- D. Lens / Fixture Size
Ex: 075026=Φ75mm / Thickness=26mm (round up)
- E. Serial Numbers

The lens datasheet is applicable for **TRIDONIC LED**, that manufactured by Chun Kuang Optics Corp.

✓ Dimensions (mm) : Φ75 x 33



▽:Critical Dimension



✓ Optical Characteristics – Angle Performances

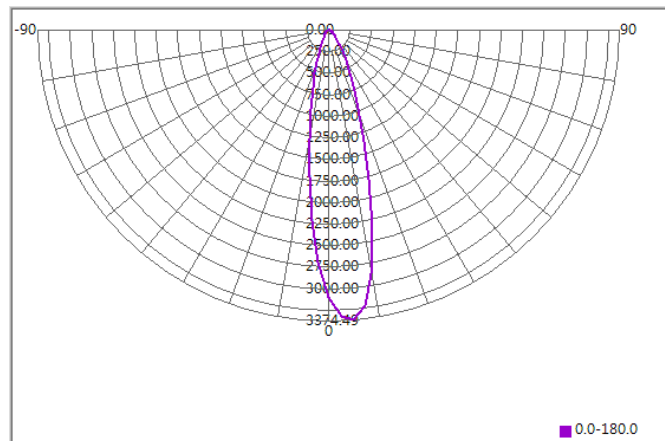
TRIDONIC	LED LES (mm)	FWHM (degrees)	Tilt Angle
SLE G7 15mm 4000lm 840 R ADV	Φ15	23°x26°	4°



Optical Characteristics

Model Number	CKO-CW15-075033-4021		<p>"H" definition</p>
LED	SLE G7 15mm 4000lm 840 R ADV		
LES / LED Size	Φ 15 mm		
FWHM (D50)	23°x26°		
H (distance)	3.65 mm		
Dimension	Φ =75 mm, Thickness=33 mm		
Luminous Flux	4196 lm	Measured @ 33.1 W	
Material	PC / UL94V2		

cd/klm



Illuminance At Distances

