



Product Part Number

CKO-CW18-045017-0541

✓ Model Number Definitions

CKO-XXXX-XXXXXX-XXXX

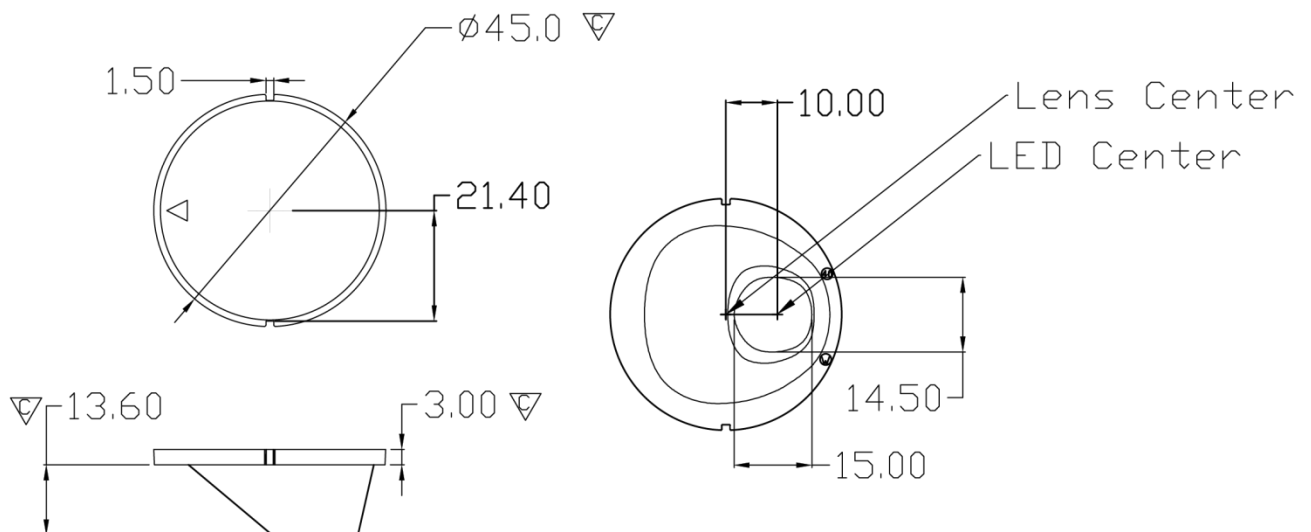


- A. Chun Kuang Optics Corp. Product
- B. Product Type: product abbreviation
Ex:
MX→Multi 33 in 1
SW→Single Wall Washer
CW→Wall Washer for CoB LED
HC→Holder for CoB LED

- C. Identity Code
- D. Lens / Fixture Size
Ex: 075026=Φ75mm / Thickness=26mm (round up)
- E. Serial Numbers

The lens datasheet is applicable for **Cree LED**, that manufactured by Chun Kuang Optics Corp.

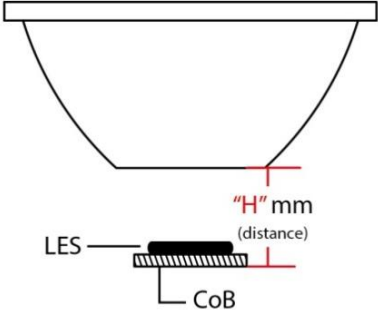
✓ Dimensions (mm) : Φ45x16.6



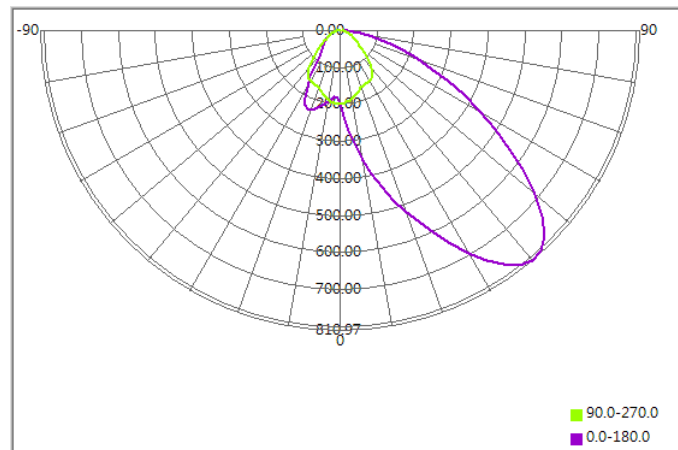
▽:Critical Dimension



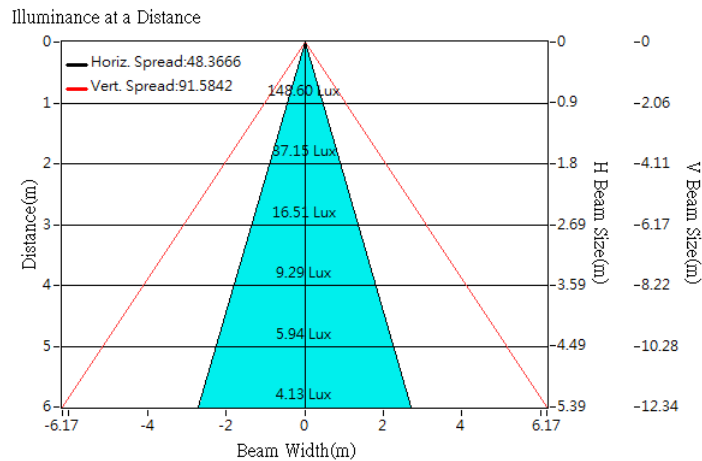
Optical Characteristics

Part Number	CKO-CW18-045017-0541		"H" definition 
LED	CXB1507		
LES / LED Size	Φ 9 mm		
FWHM (D50)	48°x92°		
H (distance)	2.5 mm		
Dimension	Φ =45 mm, Thickness=16.6 mm		
Luminous Flux	745 lm	Measured @ 7.1 W	
Material	PC / UL94V2		

cd/klm

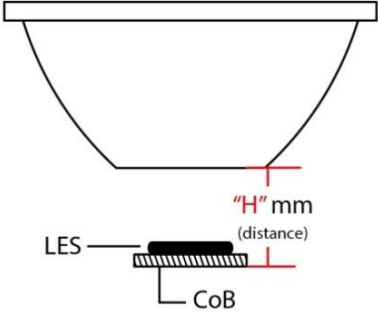


Illuminance At Distances

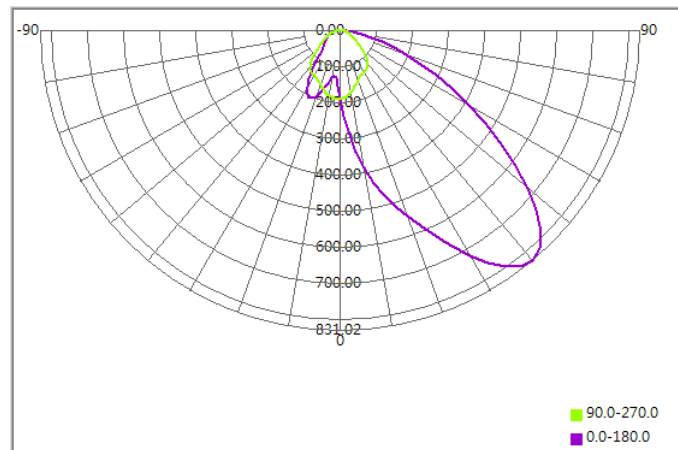




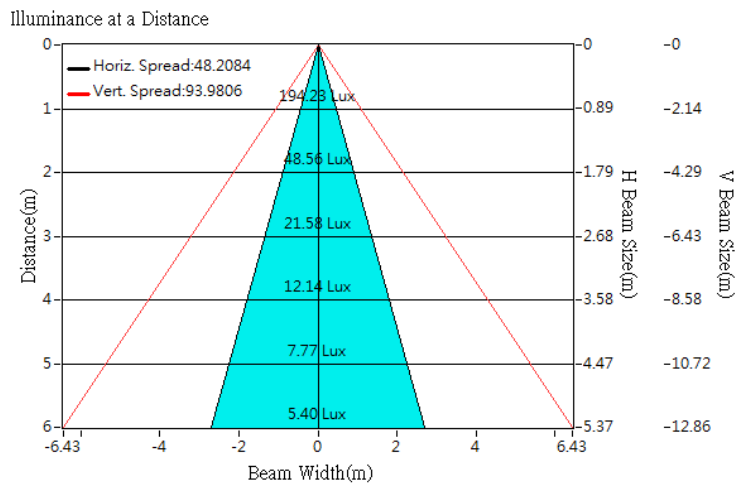
Optical Characteristics

Part Number	CKO-CW18-045017-0541		<p>"H" definition</p> 
LED	CXB1512		
LES / LED Size	Φ 9 mm		
FWHM (D50)	48°x94°		
H (distance)	2.5 mm		
Dimension	Φ =45 mm, Thickness=16.6 mm		
Luminous Flux	1022 lm	Measured @ 12 W	
Material	PC / UL94V2		

cd/klm

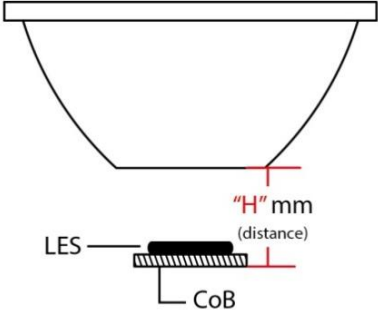


Illuminance At Distances

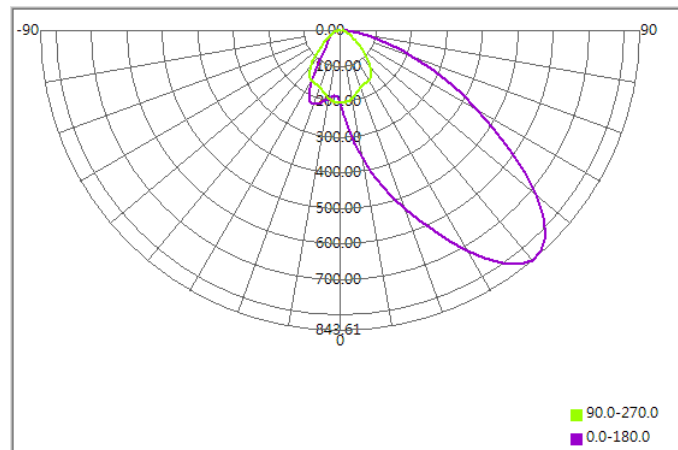




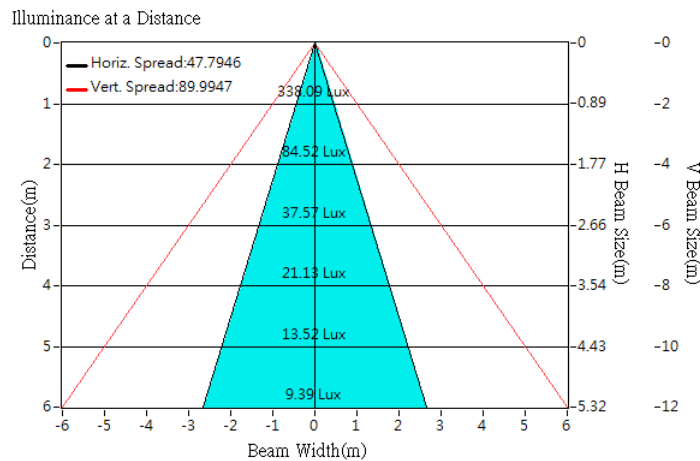
Optical Characteristics

Part Number	CKO-CW18-045017-0541		"H" definition 
LED	CMA1516		
LES / LED Size	Φ 9 mm		
FWHM (D50)	48°x90°		
H (distance)	2.5 mm		
Dimension	Φ =45 mm, Thickness=16.6 mm		
Luminous Flux	1651 lm	Measured @ 15.5 W	
Material	PC / UL94V2		

cd/klm

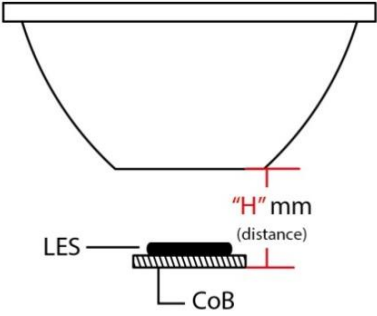


Illuminance At Distances

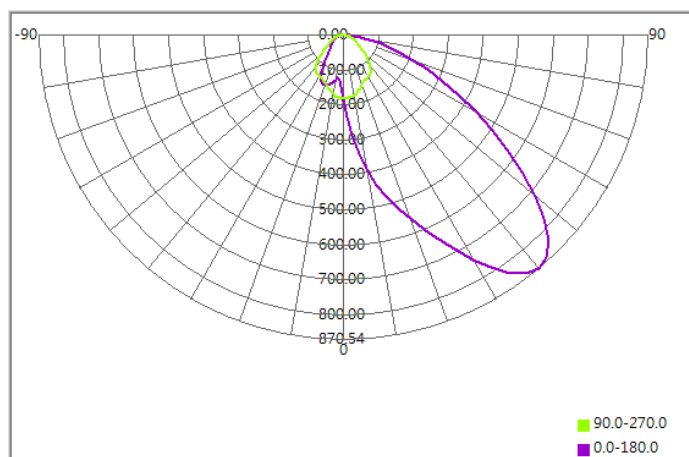




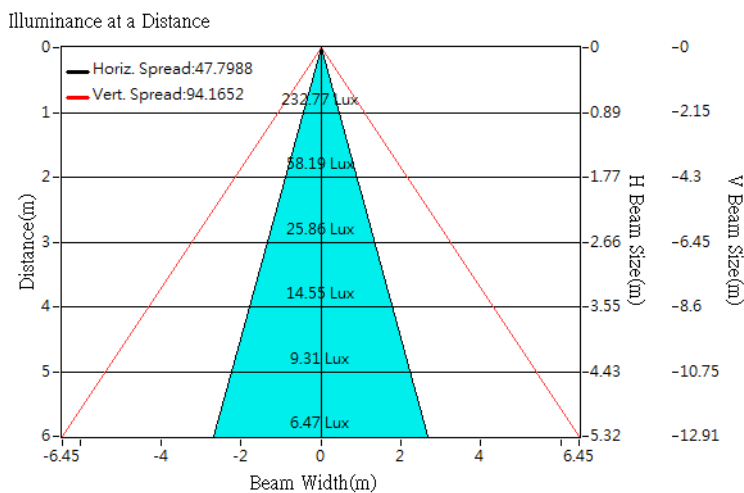
Optical Characteristics

Part Number	CKO-CW18-045017-0541		<p>"H" definition</p> 
LED	CXA1520		
LES / LED Size	Φ 9 mm		
FWHM (D50)	48°x94°		
H (distance)	2.5 mm		
Dimension	Φ =45 mm, Thickness=16.6 mm		
Luminous Flux	1275 lm	Measured @ 16.9 W	
Material	PC / UL94V2		

cd/klm

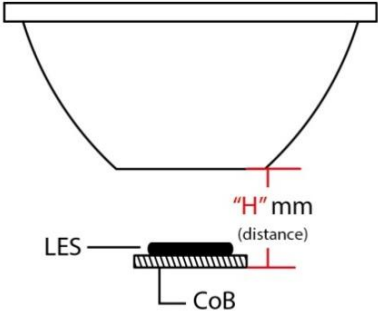


Illuminance At Distances

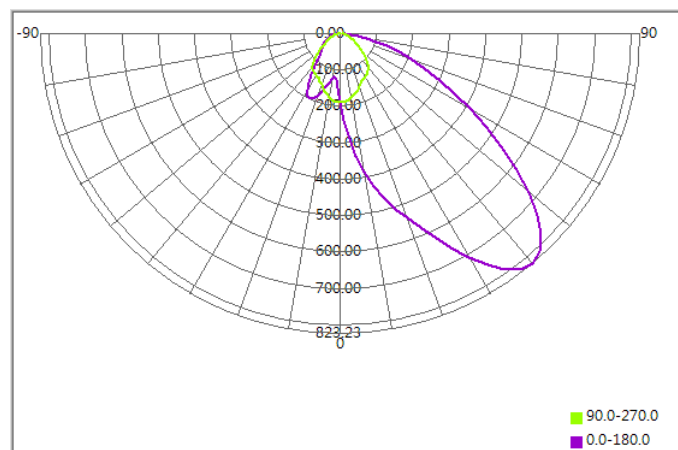




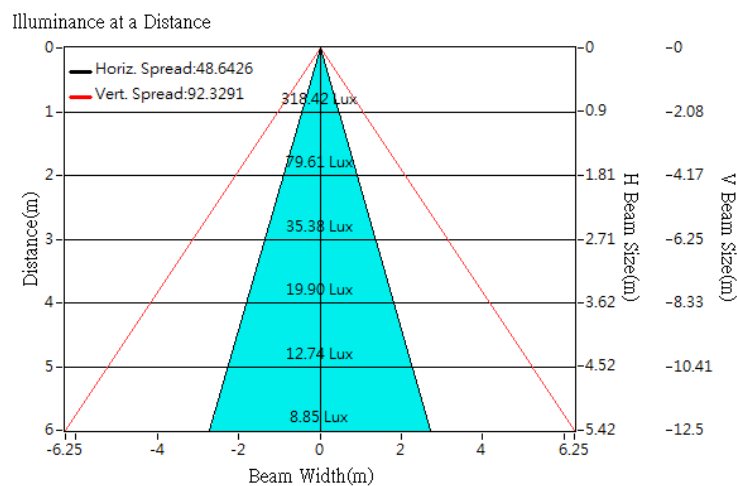
Optical Characteristics

Part Number	CKO-CW18-045017-0541		"H" definition 
LED	CXB1520		
LES / LED Size	Φ 9 mm		
FWHM (D50)	49°x92°		
H (distance)	2.5 mm		
Dimension	Φ =45 mm, Thickness=16.6 mm		
Luminous Flux	1680 lm	Measured @ 17.4 W	
Material	PC / UL94V2		

cd/klm

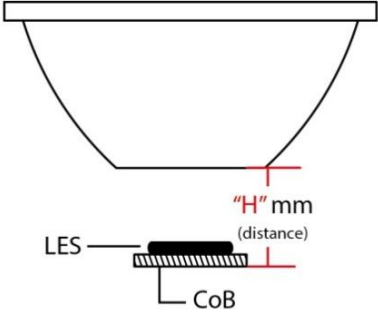


Illuminance At Distances

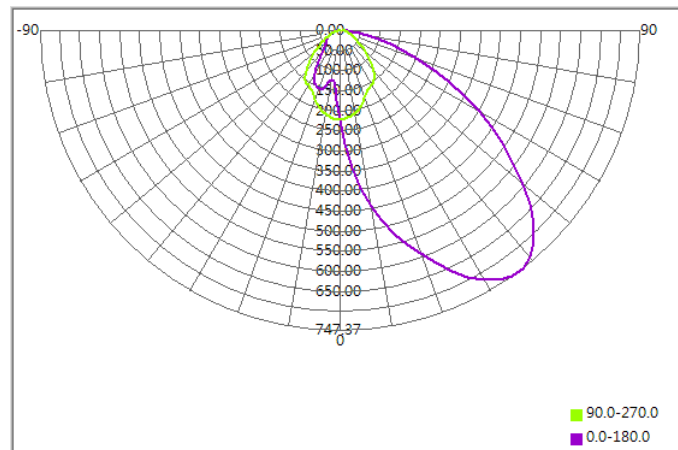




Optical Characteristics

Part Number	CKO-CW18-045017-0541		"H" definition 
LED	CMT1407		
LES / LED Size	Φ 9.8 mm		
FWHM (D50)	55°x88°		
H (distance)	2.5 mm		
Dimension	Φ =45 mm, Thickness=16.6 mm		
Luminous Flux	775 lm	Measured @ 7.1 W	
Material	PC / UL94V2		

cd/klm



Illuminance At Distances

