



## Product Part Number

CKO-CW18-060021-0631

### ✓ Model Number Definitions

**CKO-XXXX-XXXXXX-XXXX**

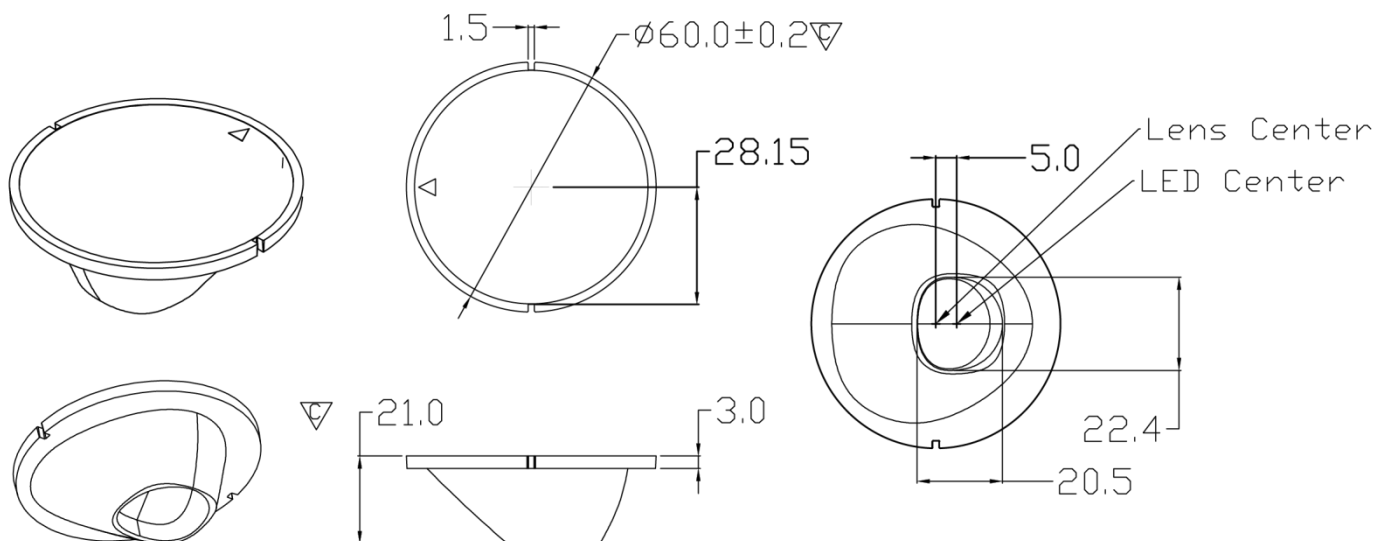


- A. Chun Kuang Optics Corp. Product
- B. Product Type: product abbreviation  
Ex:  
MX→Multi 33 in 1  
SW→Single Wall Washer  
CW→Wall Washer for CoB LED  
HC→Holder for CoB LED

- C. Identity Code
- D. Lens / Fixture Size  
Ex: 075026=Φ75mm / Thickness=26mm (round up)
- E. Serial Numbers

The lens datasheet is applicable for **Cree LED**, that manufactured by Chun Kuang Optics Corp.

### ✓ Dimensions (mm) : Φ60x21



▽:Critical Dimension

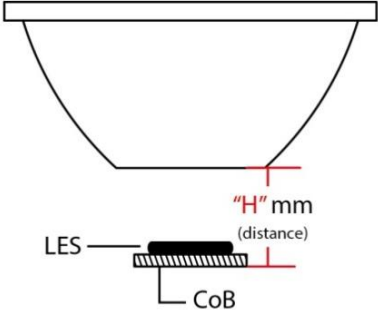


✓ Optical Characteristics – Angle Performances

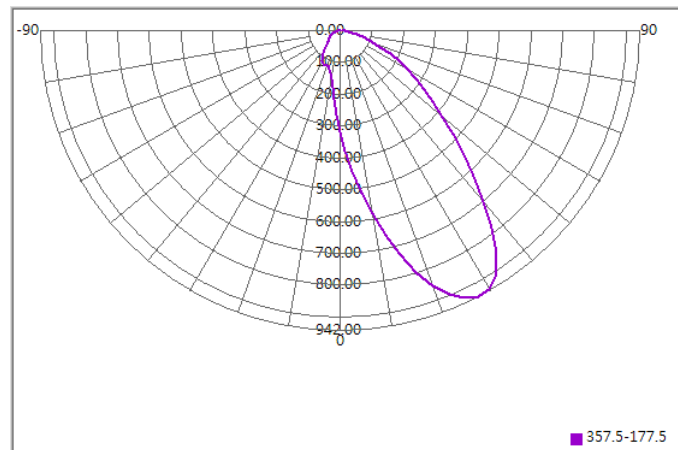
Cree	LED LES (mm)	FWHM (degrees)	H (mm)	Tilt Angle
CXA1816	Φ12	42°x71°	3.65	29°
CXB1816	Φ12	37°x73°	3.65	29°
CXA1820	Φ12	41°x72°	3.65	29°
CXB1820	Φ12	42°x72°	3.65	29°



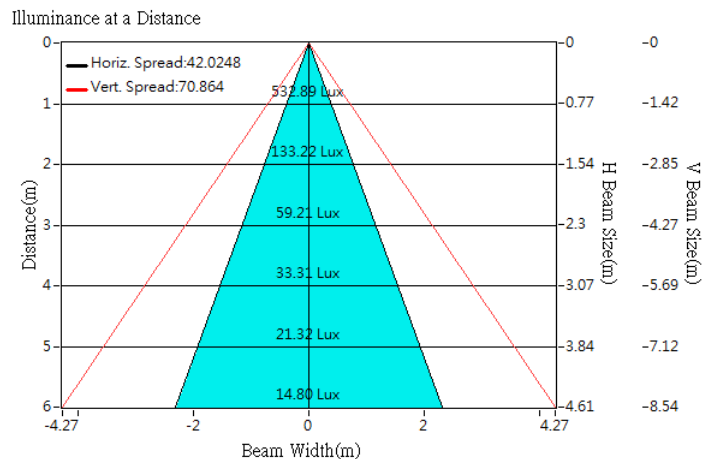
## Optical Characteristics

Part Number	CKO-CW18-060021-0631		"H" definition 
LED	<b>CXA1816</b>		
LES / LED Size	Φ 12 mm		
FWHM (D50)	42°x71°		
H (distance)	3.65 mm		
Dimension	Φ =60 mm, Thickness=21 mm		
Luminous Flux	1686 lm	Measured @ 15.5 W	
Material	PC / UL94V2		

## cd/klm



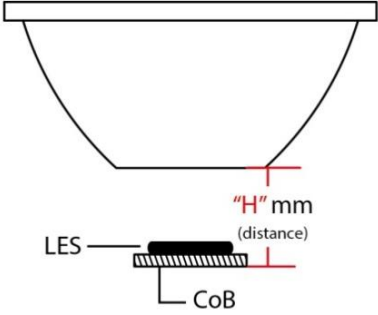
## Illuminance At Distances



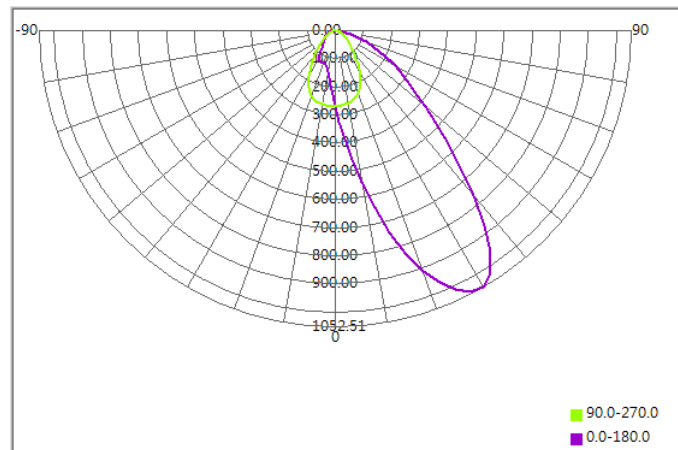




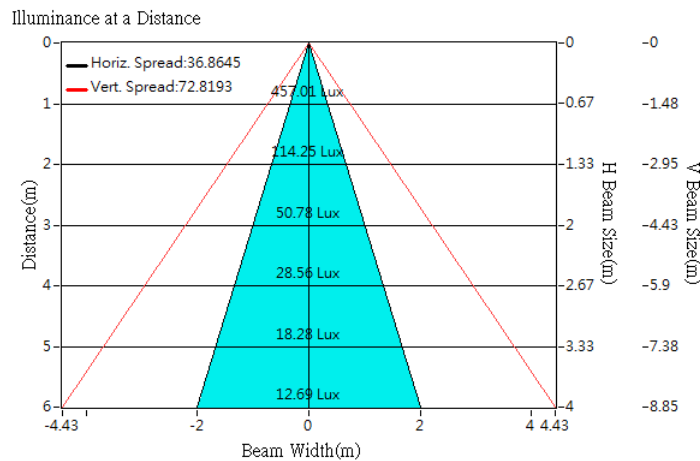
## Optical Characteristics

Part Number	CKO-CW18-060021-0631		"H" definition 
LED	<b>CXB1816</b>		
LES / LED Size	Φ 12 mm		
FWHM (D50)	37°x73°		
H (distance)	3.65 mm		
Dimension	Φ =60 mm, Thickness=21 mm		
Luminous Flux	1688 lm	Measured @ 15.5 W	
Material	PC / UL94V2		

## cd/klm

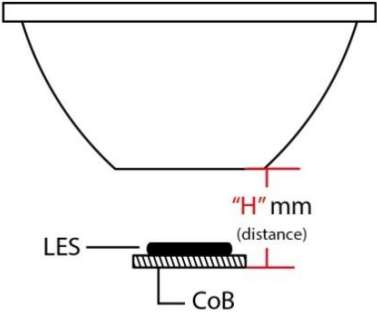


## Illuminance At Distances

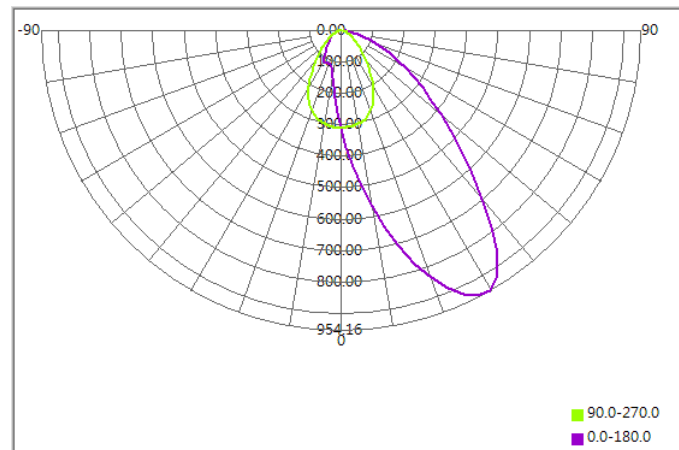




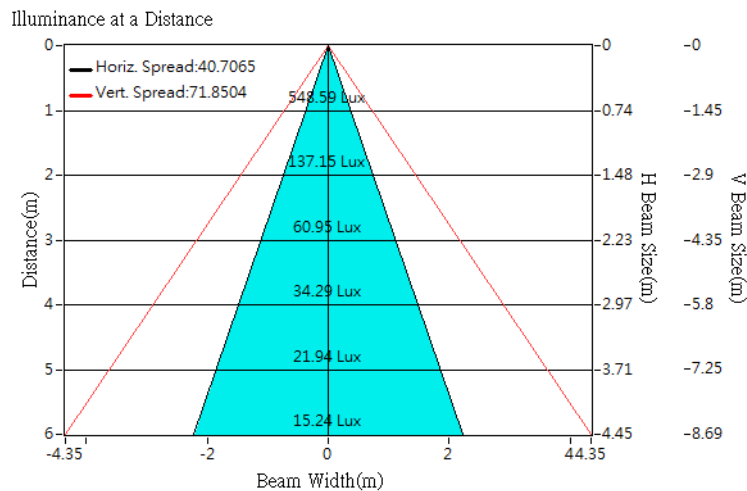
## Optical Characteristics

Part Number	CKO-CW18-060021-0631		"H" definition 
LED	<b>CXA1820</b>		
LES / LED Size	Φ 12 mm		
FWHM (D50)	41°x72°		
H (distance)	3.65 mm		
Dimension	Φ =60 mm, Thickness=21 mm		
Luminous Flux	1769 lm	Measured @ 19.7 W	
Material	PC / UL94V2		

## cd/klm

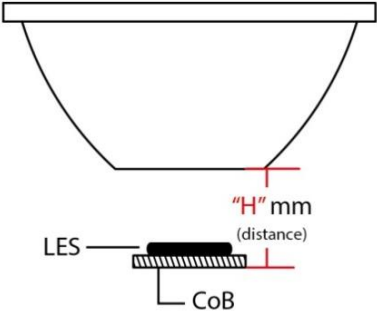


## Illuminance At Distances

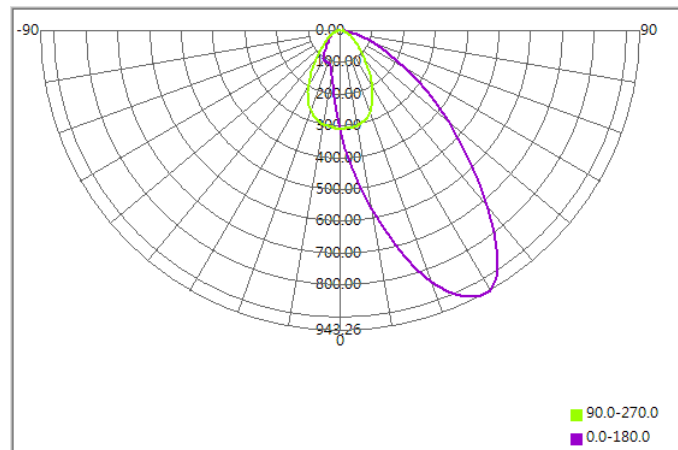




## Optical Characteristics

Part Number	CKO-CW18-060021-0631		<p>"H" definition</p> 
LED	<b>CXB1820</b>		
LES / LED Size	Φ 12 mm		
FWHM (D50)	42°x72°		
H (distance)	3.65 mm		
Dimension	Φ =60 mm, Thickness=21 mm		
Luminous Flux	1964 lm	Measured @ 20 W	
Material	PC / UL94V2		

## cd/klm



## Illuminance At Distances

