

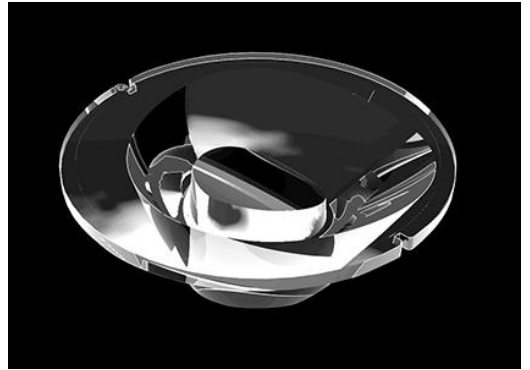


Product Part Number

CKO-CW18-075026-0321

✓ Model Number Definitions

CKO-XXXX-XXXXXX-XXXX

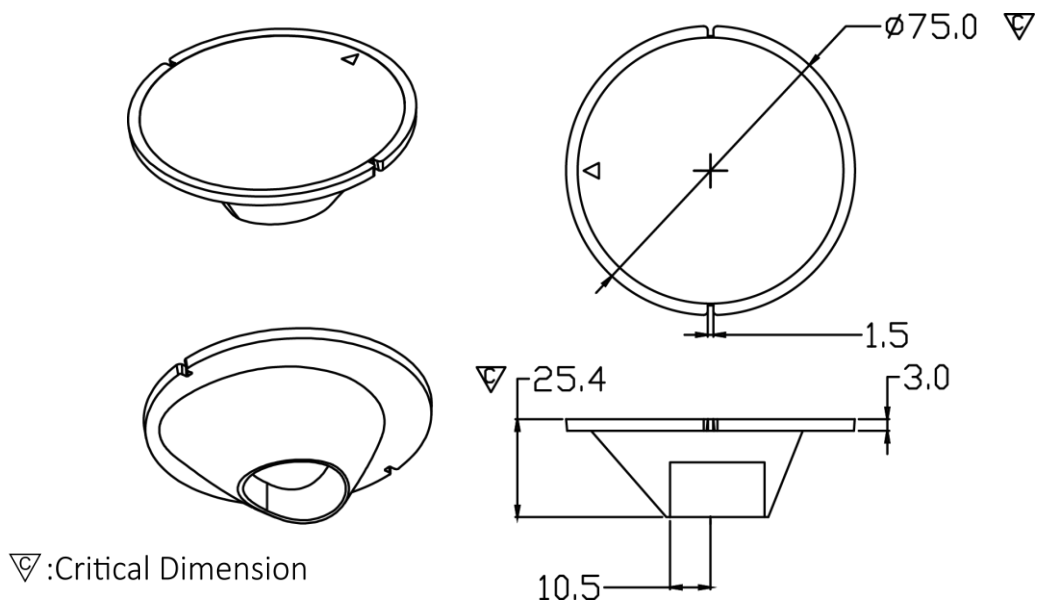


- A. Chun Kuang Optics Corp. Product
- B. Product Type: product abbreviation
Ex:
MX→Multi 33 in 1
SW→Single Wall Washer
CW→Wall Washer for CoB LED
HC→Holder for CoB LED

- C. Identity Code
- D. Lens / Fixture Size
Ex: 075026=Φ75mm / Thickness=26mm (round up)
- E. Serial Numbers

The lens datasheet is applicable for **Philips LED**, that manufactured by Chun Kuang Optics Corp.

✓ Dimensions (mm) : **Φ75x25.4**





✓ Optical Characteristics – Angle Performances

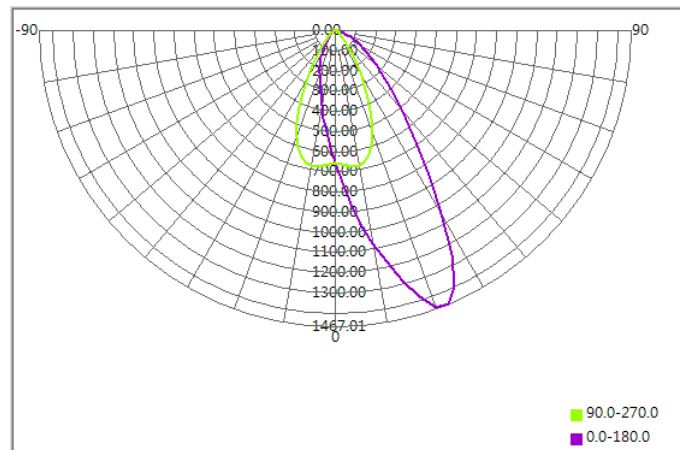
Philips	LED LES (mm)	FWHM (degrees)	H (mm)	Tilt Angle
Fortimo SLM 1205 L15 G7N	Φ14.5	33°x55°	3.65	21°
Fortimo SLM 1206 L15 G7N	Φ14.5	33°x55°	3.65	21°
Fortimo SLM 1208 L15 G7	Φ15	39°x55°	3.65	22°



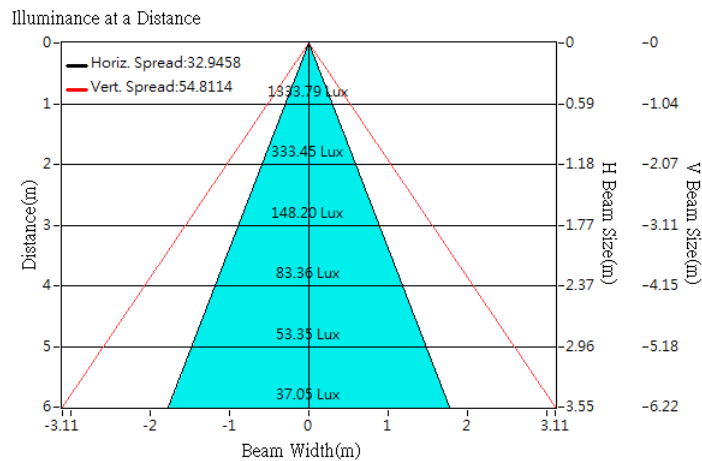
Optical Characteristics

Part Number	CKO-CW18-075026-0321		<p>"H" definition</p>
LED	Fortimo SLM 1205 L15 G7N		
LES / LED Size	Φ 14.5 mm		
FWHM (D50)	32°x52°		
H (distance)	3.65 mm		
Dimension	Φ =75 mm, Thickness=25.4 mm		
Luminous Flux	2029 lm	Measured @ 15.9 W	
Material	PC / UL94V2		

cd/klm



Illuminance At Distances

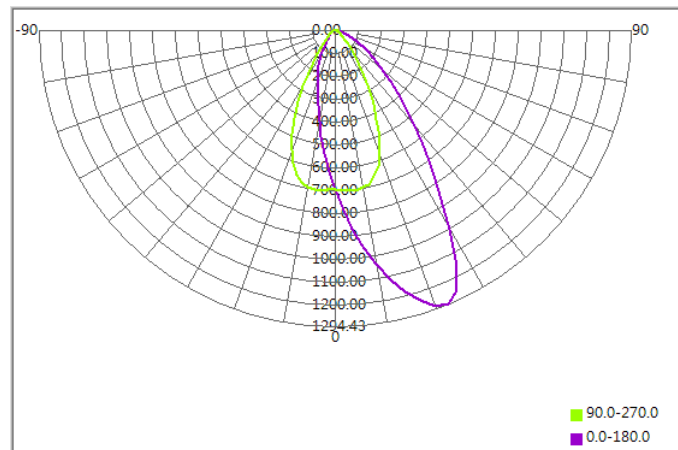




Optical Characteristics

Part Number	CKO-CW18-075026-0321		<p>"H" definition</p>
LED	Fortimo SLM 1208 L15 G7		
LES / LED Size	Φ 15 mm		
FWHM (D50)	39°x55°		
H (distance)	3.65 mm		
Dimension	Φ =75 mm, Thickness=25.4 mm		
Luminous Flux	2806 lm	Measured @ 26.3 W	
Material	PC / UL94V2		

cd/klm



Illuminance At Distances

