

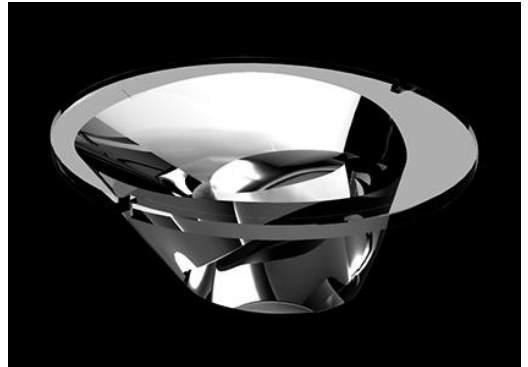


## Product Part Number

**CKO-CW18-075026-0331**

### ✓ Model Number Definitions

**CKO-XXXX-XXXXXX-XXXX**

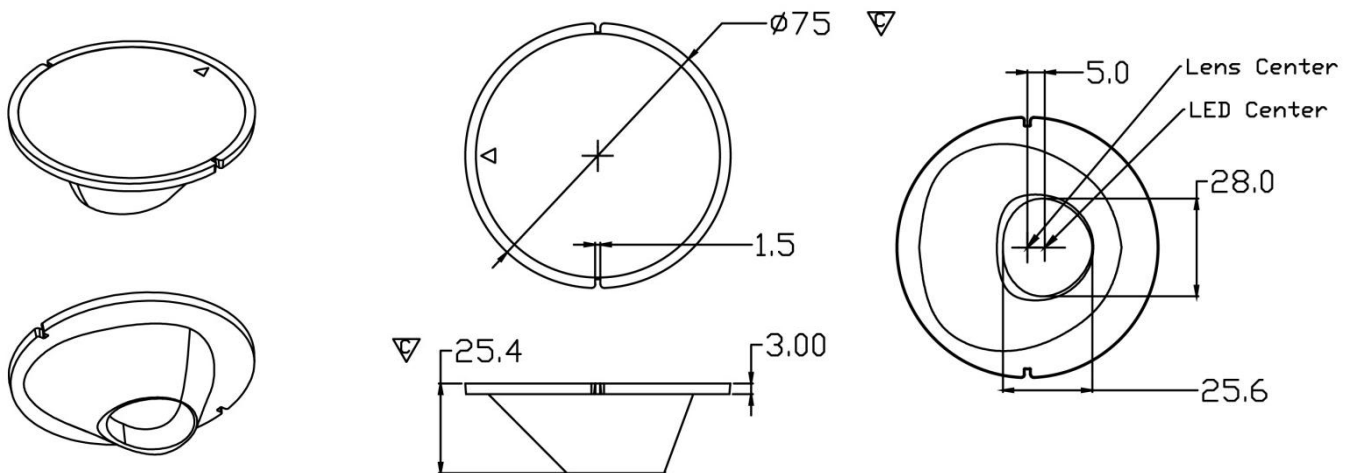


- A. Chun Kuang Optics Corp. Product
- B. Product Type: product abbreviation  
Ex:  
MX→Multi 33 in 1  
SW→Single Wall Washer  
CW→Wall Washer for CoB LED  
HC→Holder for CoB LED

- C. Identity Code
- D. Lens / Fixture Size  
Ex: 075026=Φ75mm / Thickness=26mm (round up)
- E. Serial Numbers

The lens datasheet is applicable for **Citizen LED**, that manufactured by Chun Kuang Optics Corp.

### ✓ Dimensions (mm) : **Φ75x25.4**

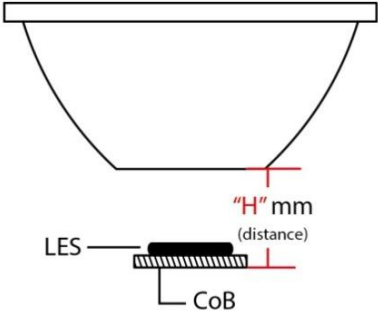


▽:Critical Dimension

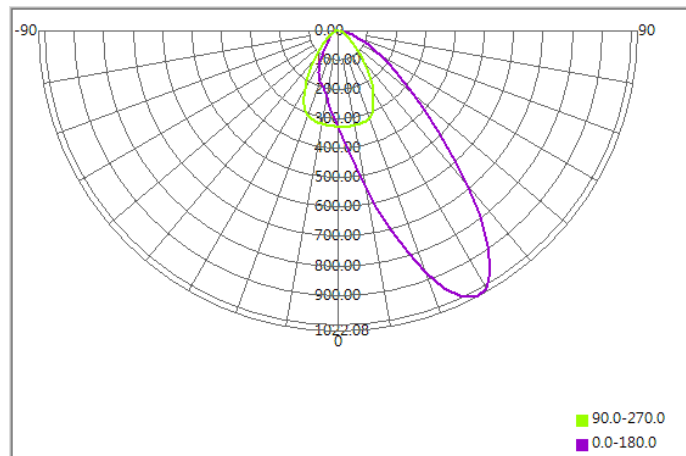




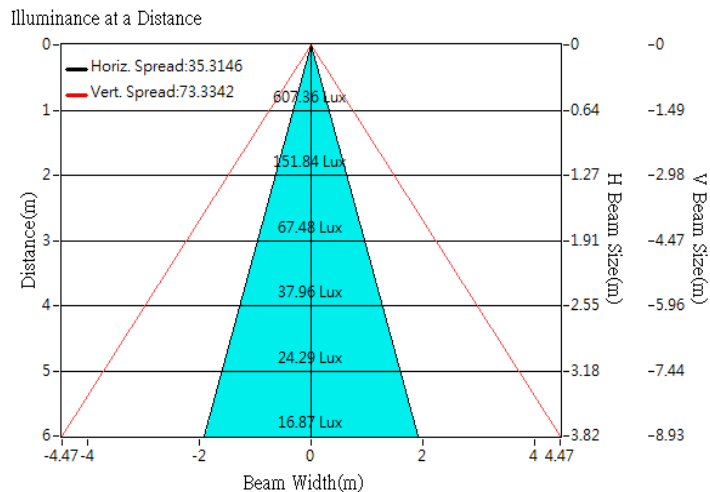
## Optical Characteristics

Part Number	CKO-CW18-075026-0331		"H" definition 
LED	<b>CLU 036</b>		
LES / LED Size	Φ 14.5 mm		
FWHM (D50)	35°x73°		
H (distance)	3.65 mm		
Dimension	Φ =75 mm, Thickness=25.4 mm		
Luminous Flux	1857 lm	Measured @ 15.7 W	
Material	PC / UL94V2		

## cd/klm



## Illuminance At Distances



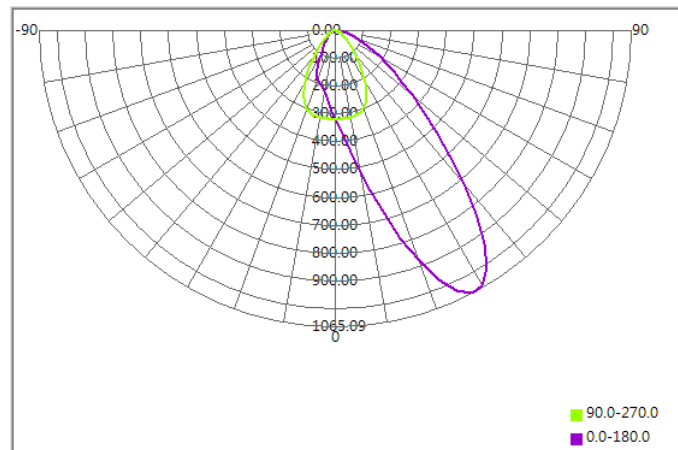




## Optical Characteristics

Part Number	CKO-CW18-075026-0331		<p>"H" definition</p>
LED	<b>CLU 038</b>		
LES / LED Size	Φ 14.5 mm		
FWHM (D50)	34°x70°		
H (distance)	3.65 mm		
Dimension	Φ =75 mm, Thickness=25.4 mm		
Luminous Flux	2390 lm	Measured @ 25.9 W	
Material	PC / UL94V2		

## cd/klm



## Illuminance At Distances

