

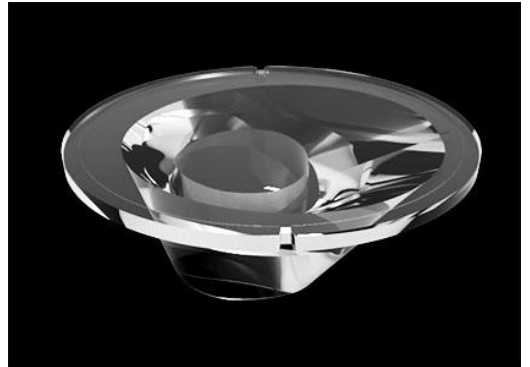


Product Part Number

CKO - CW18 - 075026 - 0331

✓ Model Number Definitions

CKO-XXXX-XXXXXX-XXXX

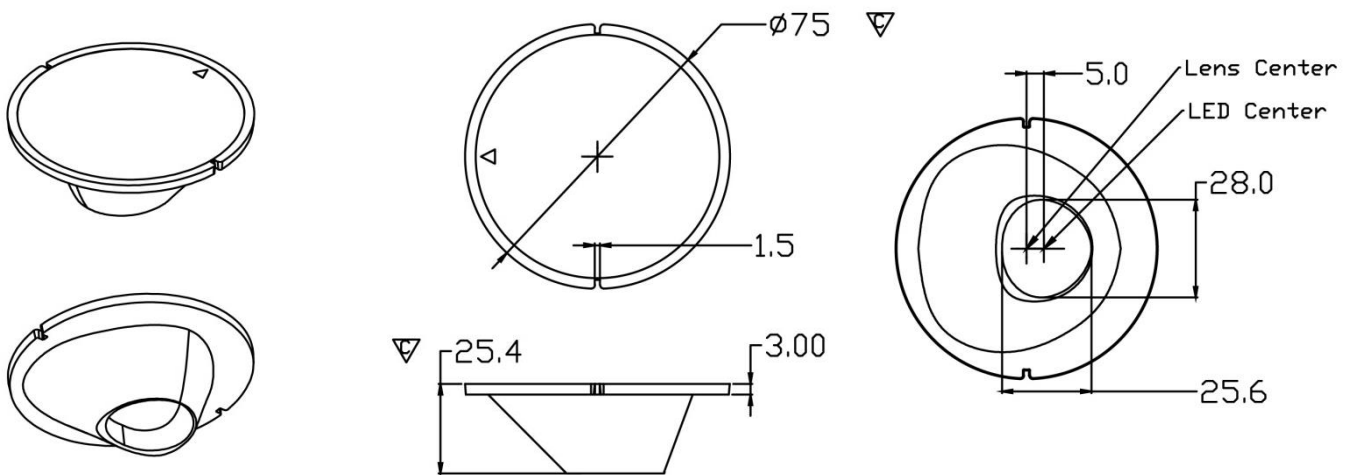


- A. Chun Kuang Optics Corp. Product
- B. Product Type: product abbreviation
Ex:
MX→Multi 33 in 1
SW→Single Wall Washer
CW→Wall Washer for CoB LED
HC→Holder for CoB LED

- C. Identity Code
- D. Lens / Fixture Size
Ex: 075026=Φ75mm / Thickness=26mm (round up)
- E. Serial Numbers

The lens datasheet is applicable for **Cree LED**, that manufactured by Chun Kuang Optics Corp.

✓ Dimensions (mm) : **Φ75x25.4**



∇:Critical Dimension

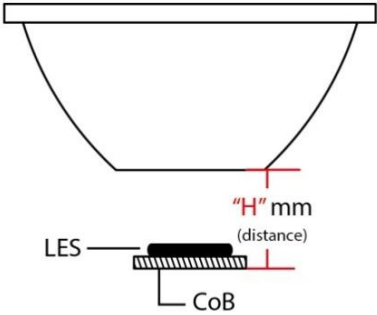


✓ Optical Characteristics – Angle Performances

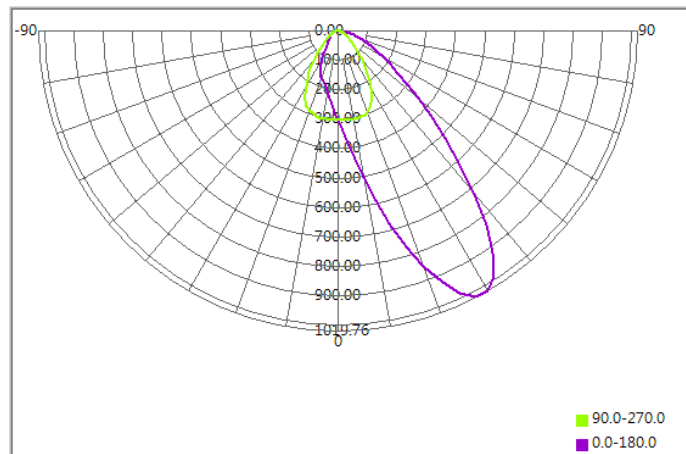
Cree	LED LES (mm)	FWHM (degrees)	H (mm)	Tilt Angle
CXA1830	Φ14	35°x74°	3.65	29°
CXB1830	Φ14	36°x74°	3.65	29°



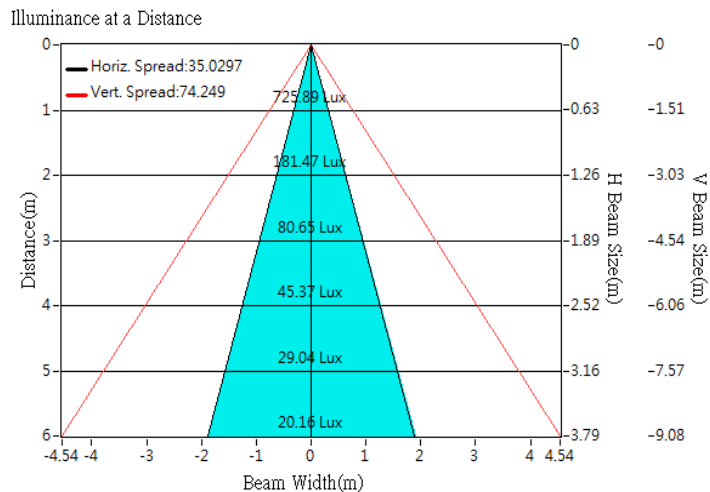
Optical Characteristics

Part Number	CKO-CW18-075026-0331		"H" definition 
LED	CXA1830		
LES / LED Size	Φ 14 mm		
FWHM (D50)	35°x74°		
H (distance)	3.65 mm		
Dimension	Φ =75 mm, Thickness=25.4 mm		
Luminous Flux	2383 lm	Measured @ 29.7 W	
Material	PC / UL94V2		

cd/klm

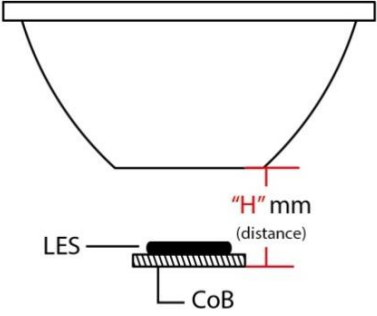


Illuminance At Distances

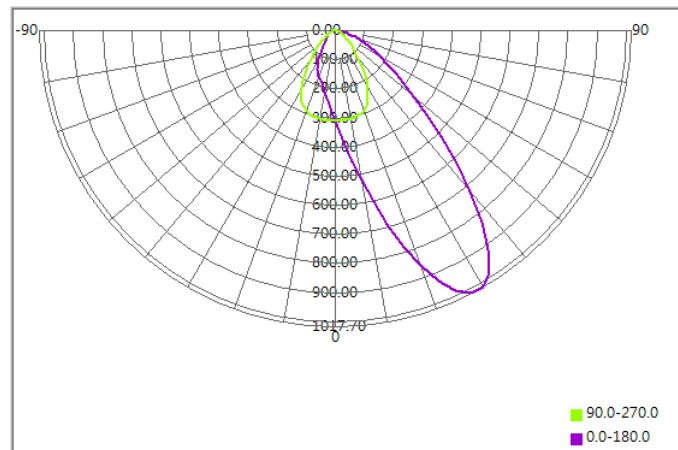




Optical Characteristics

Part Number	CKO-CW18-075026-0331		<p>"H" definition</p> 
LED	CXB1830		
LES / LED Size	Φ 14 mm		
FWHM (D50)	36°x74°		
H (distance)	3.65 mm		
Dimension	Φ =75 mm, Thickness=25.4 mm		
Luminous Flux	3000 lm	Measured @ 28.3 W	
Material	PC / UL94V2		

cd/klm



Illuminance At Distances

