

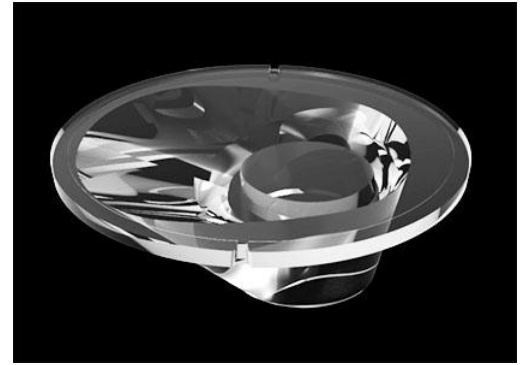


Product Part Number

CKO - CW18 - 075026 - 0341

✓ Model Number Definitions

CKO-XXXX-XXXXXX-XXXX

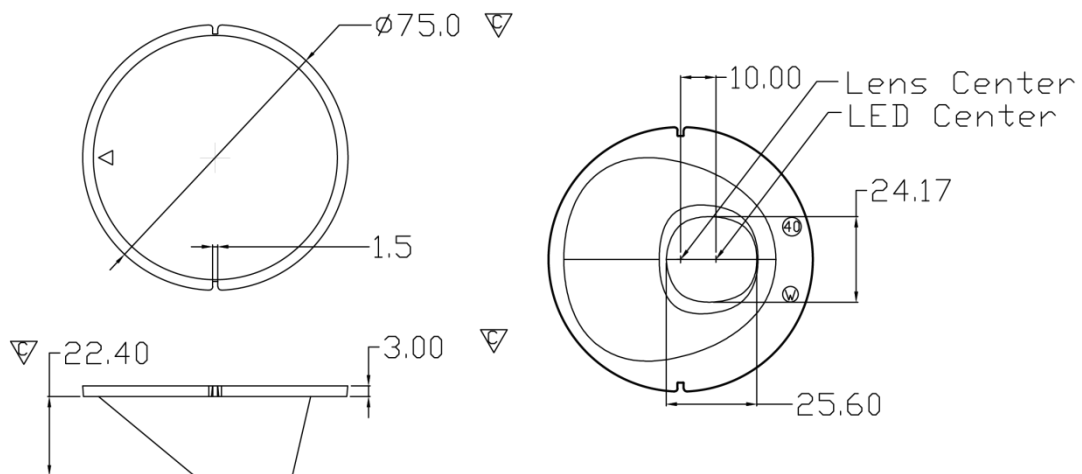


- A. Chun Kuang Optics Corp. Product
- B. Product Type: product abbreviation
Ex:
MX→Multi 33 in 1
SW→Single Wall Washer
CW→Wall Washer for CoB LED
HC→Holder for CoB LED

- C. Identity Code
- D. Lens / Fixture Size
Ex: 075026=Φ75mm / Thickness=26mm (round up)
- C. Serial Numbers

The lens datasheet is applicable for **Citizen LED**, that manufactured by Chun Kuang Optics Corp.

✓ Dimensions (mm) : Φ75x25.4



▽:Critical Dimension

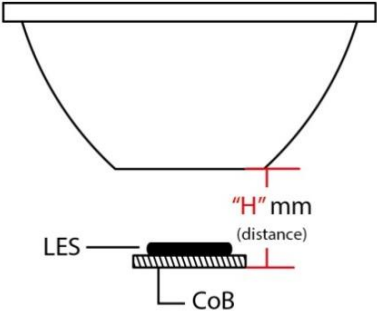


✓ Optical Characteristics – Angle Performances

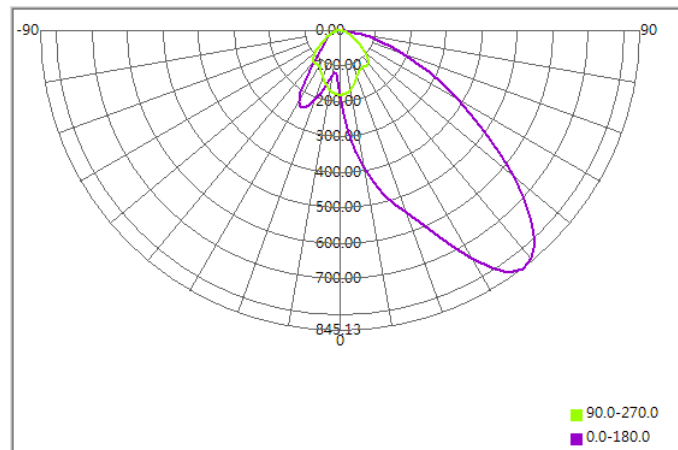
Citizen	LED LES (mm)	FWHM (degrees)	H (mm)	Tilt Angle
CLU 038	Φ14.5	46°x99°	3.65	38°



Optical Characteristics

Part Number	CKO-CW18-075026-0341		"H" definition 
LED	CLU 038		
LES / LED Size	Φ 14.5 mm		
FWHM (D50)	46°x99°		
H (distance)	3.65 mm		
Dimension	Φ =75 mm, Thickness=25.4 mm		
Luminous Flux	1740 lm	Measured @ 16.7 W	
Material	PC / UL94V2		

cd/klm



Illuminance At Distances

