

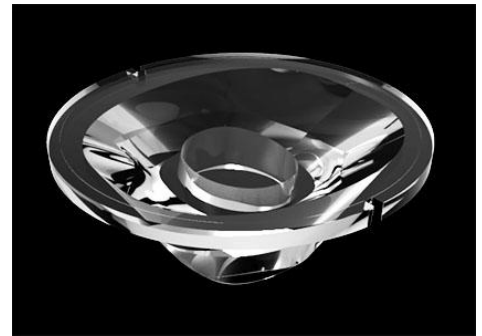


## Product Part Number

CKO-CW19-060021-0201

### ✓ Model Number Definitions

**CKO-XXXX-XXXXXX-XXXX**

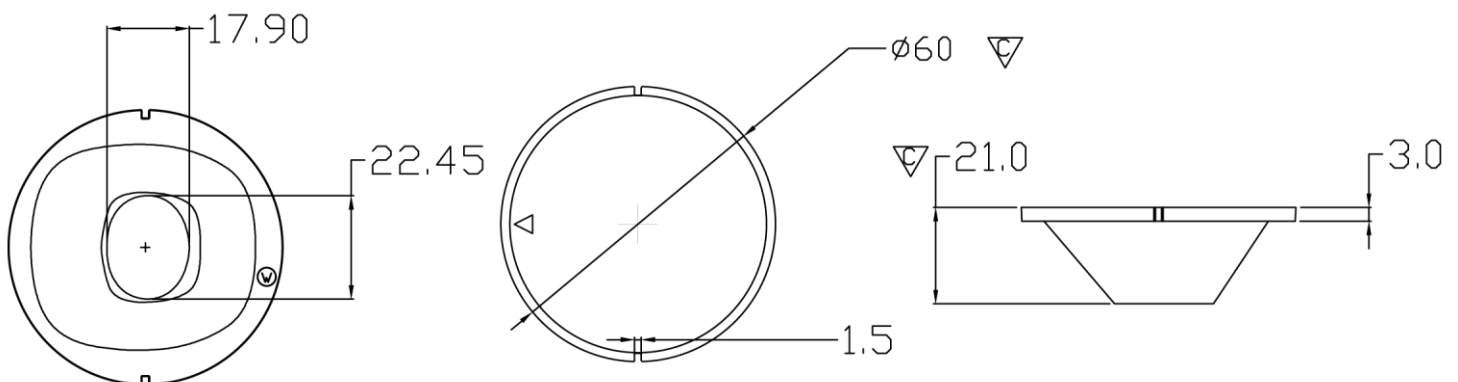


- A. Chun Kuang Optics Corp. Product
- B. Product Type: product abbreviation  
Ex:  
MX→Multi 33 in 1  
SW→Single Wall Washer  
CW→Wall Washer for CoB LED  
HC→Holder for CoB LED

- C. Identity Code
- D. Lens / Fixture Size  
Ex: 075026=Φ75mm / Thickness=26mm (round up)
- E. Serial Numbers

The lens datasheet is applicable for **Cree LED**, that manufactured by Chun Kuang Optics Corp.

### ✓ Dimensions (mm) : Φ60 x 21

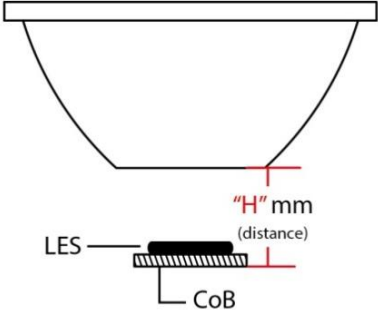


▽:Critical Dimension

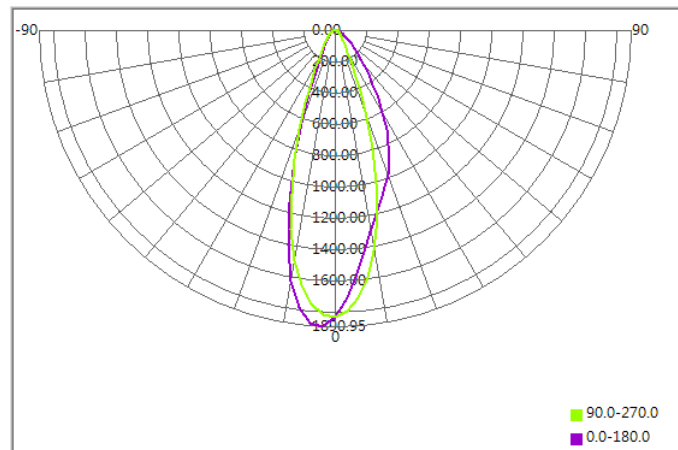




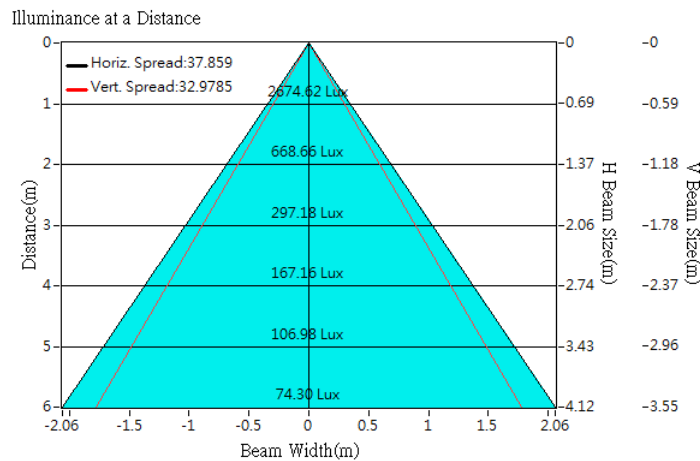
## Optical Characteristics

Part Number	CKO-CW19-060021-0201		"H" definition 
LED	<b>CXA1816</b>		
LES / LED Size	Φ 12 mm		
FWHM (D50)	33°x38°		
H (distance)	3.65mm		
Dimension	Φ =60 mm, Thickness=21 mm		
Luminous Flux	1460 lm	Measured @ 17.4 W	
Material	PC / UL94V2		

## cd/klm



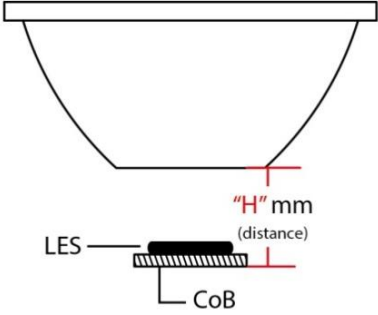
## Illuminance At Distances



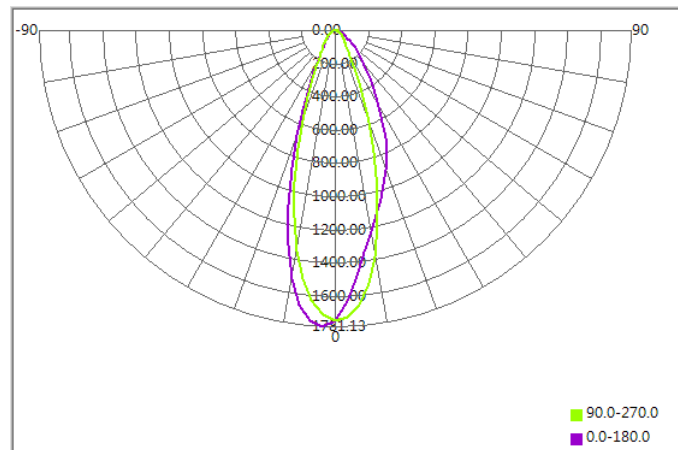




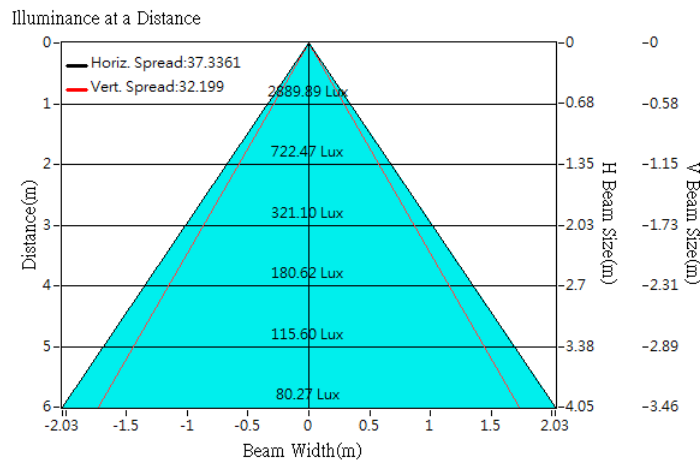
## Optical Characteristics

Part Number	CKO-CW19-060021-0201		"H" definition 
LED	<b>CXB1816</b>		
LES / LED Size	Φ 12 mm		
FWHM (D50)	32°x37°		
H (distance)	3.65mm		
Dimension	Φ =60 mm, Thickness=21 mm		
Luminous Flux	1657 lm	Measured @ 15.9 W	
Material	PC / UL94V2		

## cd/klm

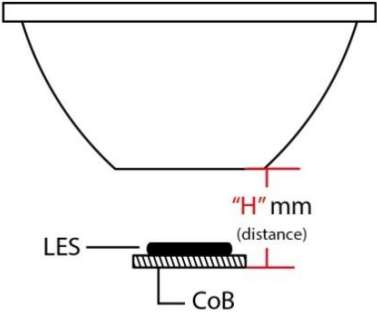


## Illuminance At Distances

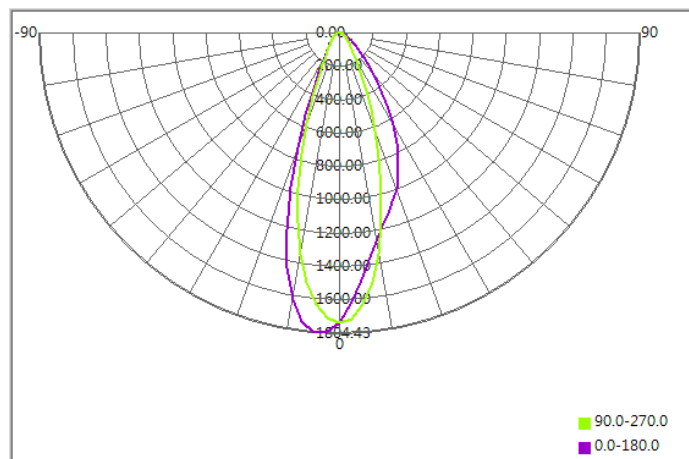




## Optical Characteristics

Part Number	CKO-CW19-060021-0201		<p>"H" definition</p> 
LED	<b>CXB1820</b>		
LES / LED Size	Φ 12 mm		
FWHM (D50)	33°x41°		
H (distance)	3.65mm		
Dimension	Φ =60 mm, Thickness=21 mm		
Luminous Flux	2196 lm	Measured @ 19.3 W	
Material	PC / UL94V2		

## cd/klm



## Illuminance At Distances

