

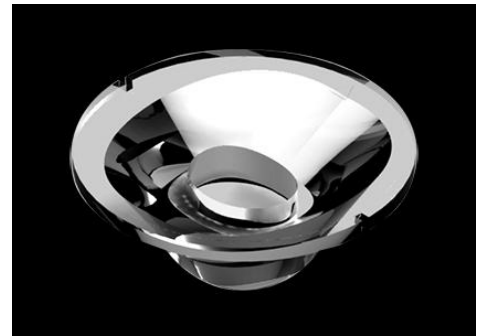


## Product Part Number

CKO-CW19-060021-0201

### ✓ Model Number Definitions

**CKO-XXXX-XXXXXX-XXXX**

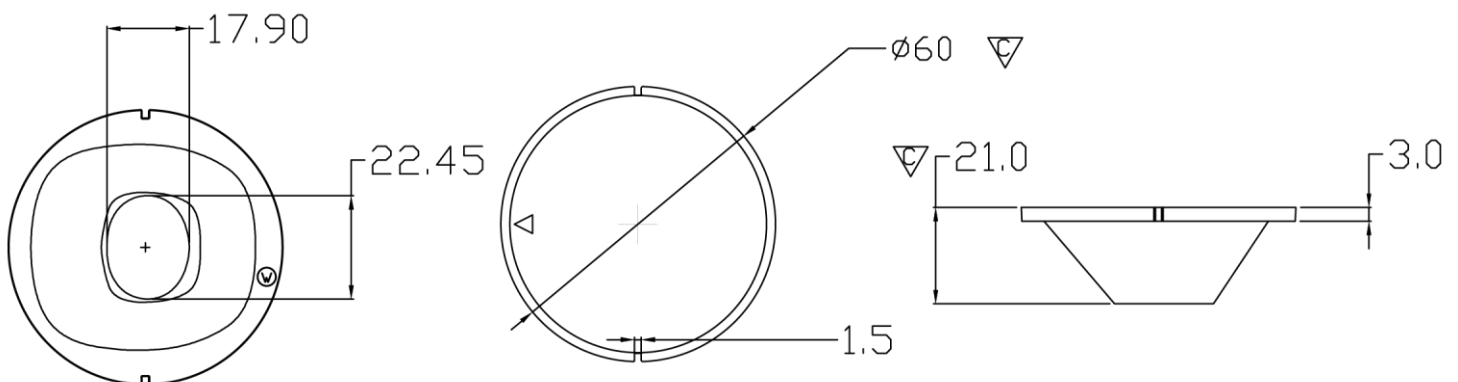


- A. Chun Kuang Optics Corp. Product
- B. Product Type: product abbreviation  
Ex:  
MX→Multi 33 in 1  
SW→Single Wall Washer  
CW→Wall Washer for CoB LED  
HC→Holder for CoB LED

- C. Identity Code
- D. Lens / Fixture Size  
Ex: 075026=Φ75mm / Thickness=26mm (round up)
- C. Serial Numbers

The lens datasheet is applicable for **Philips LED**, that manufactured by Chun Kuang Optics Corp.

### ✓ Dimensions (mm) : Φ60 x 21



▽:Critical Dimension

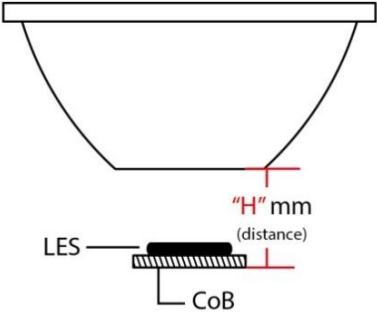


✓ Optical Characteristics – Angle Performances

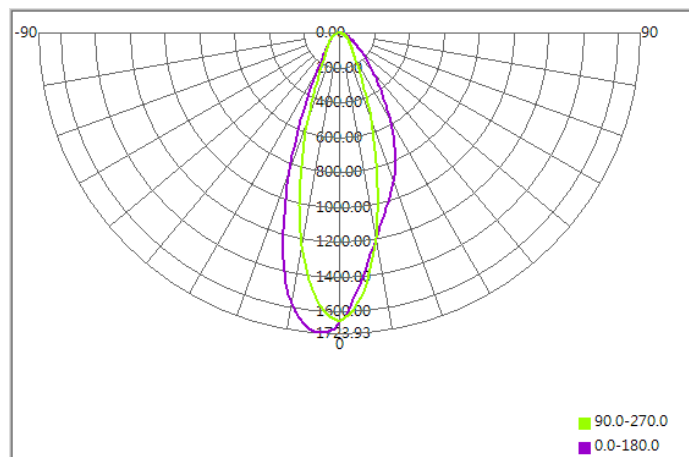
Philips	LED LES (mm)	FWHM (degrees)	H (mm)
Fortimo SLM 1205 L13 G7	Φ13	31°x41°	3.65



## Optical Characteristics

Part Number	CKO-CW19-060021-0201		<p>"H" definition</p> 
LED	<b>Fortimo SLM 1205 L13 G7</b>		
LES / LED Size	Φ 13 mm		
FWHM (D50)	31°x41°		
H (distance)	3.65mm		
Dimension	Φ =60 mm, Thickness=21 mm		
Luminous Flux	1848 lm	Measured @ 17.4 W	
Material	PC / UL94V2		

## cd/klm



## Illuminance At Distances

