



Product Part Number

CKO-CW19-075026-0101

✓ Model Number Definitions

CKO-XXXX-XXXXXX-XXXX

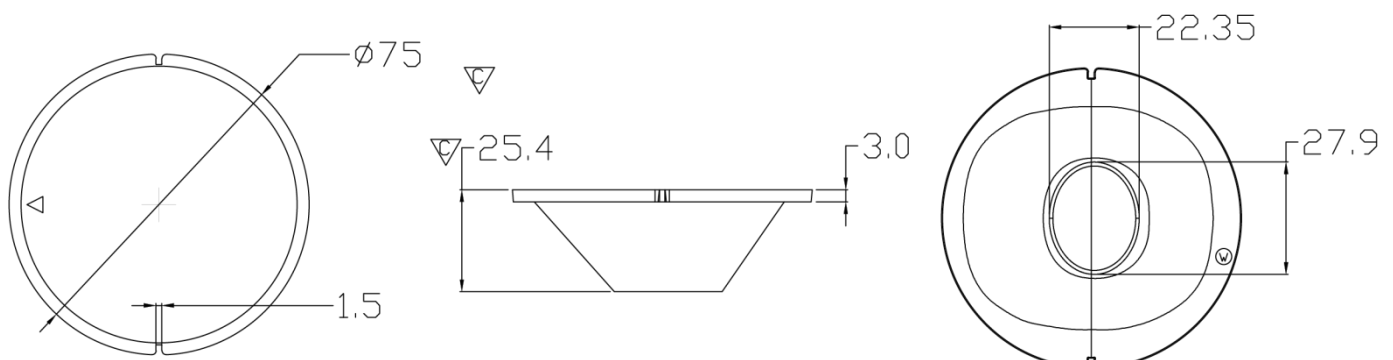


- A. Chun Kuang Optics Corp. Product
- B. Product Type: product abbreviation
Ex:
MX→Multi 33 in 1
SW→Single Wall Washer
CW→Wall Washer for CoB LED
HC→Holder for CoB LED

- C. Identity Code
- D. Lens / Fixture Size
Ex: 075026=Φ75mm / Thickness=26mm (round up)
- C. Serial Numbers

The lens datasheet is applicable for **Cree LED**, that manufactured by Chun Kuang Optics Corp.

✓ Dimensions (mm) : Φ75x25.4



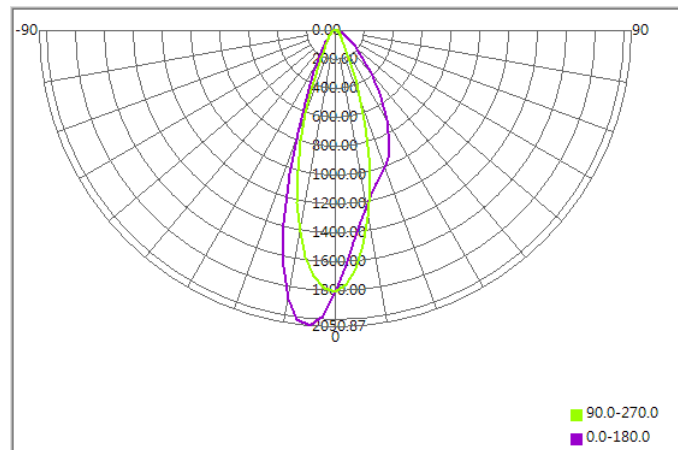
▽:Critical Dimension



Optical Characteristics

Part Number	CKO-CW19-075026-0101		"H" definition
LED	CXB1830		
LES / LED Size	Φ 14 mm		
FWHM (D50)	31°x37°		
H (distance)	3.65mm		
Dimension	Φ =75 mm, Thickness=25.4 mm		
Luminous Flux	3149 lm	Measured @ 28.6 W	
Material	PC / UL94V2		

cd/klm



Illuminance At Distances

