

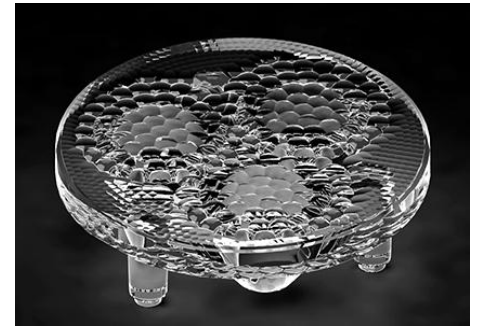


## Product Model Number

CKO - M 3 1 2 - 0 3 5 0 1 1 - 2 6 0 1

### ✓ Model Number Definitions

**CKO-XXXX-XXXXXX-XXXX**

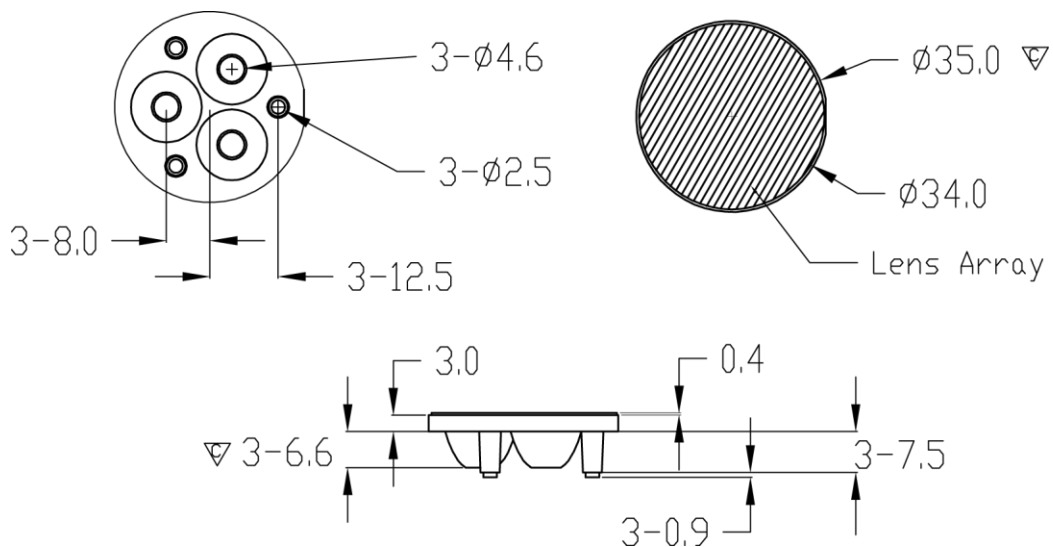


- A. Chun Kuang Optics Corp. Product
- B. Product Type: product abbreviation  
Ex:  
CH→CoB High Intensity  
CC→CoB Compact  
CS→Soft Shading for CoB LED  
HC→Holder for CoB LED

- C. Identity Code
- D. Lens / Fixture Size  
Ex: 075026=Φ75mm / Thickness=26mm (round up)
- C. Serial Numbers

The lens datasheet is applicable for **Osram** LED, that manufactured by Chun Kuang Optics Corp.

### ✓ Dimensions (mm) : Φ35 x 10.9



▽:Critical Dimension

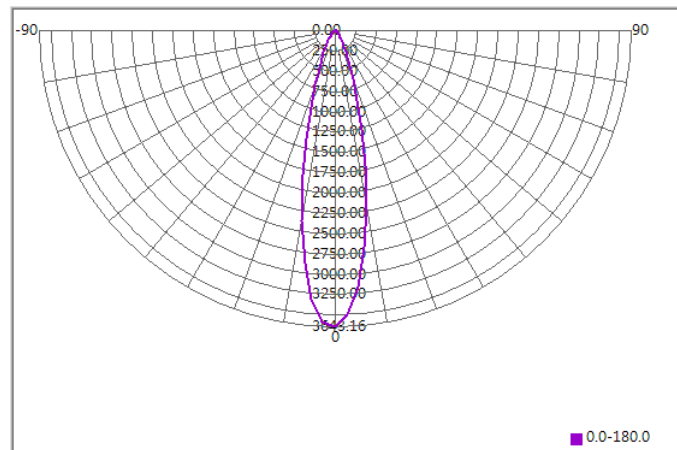




## Optical Characteristics

Model Number	CKO-M312-035011-2601	
LED	<b>Duris S5</b>	
LES / LED Size	3 x 3 mm	
FWHM (D50)	24°	
Field Angle (D10)	51°	
Dimension	Φ =35 mm, Thickness=10.9 mm	
Luminous Flux	277 lm	Measured @ 2.7 W
Material	PC / UL94V0	

## cd/klm



## Illuminance At Distances

