



Product Model Number

CKO-M412-035011-1901

✓ Model Number Definitions

CKO-XXXX-XXXXXX-XXXX

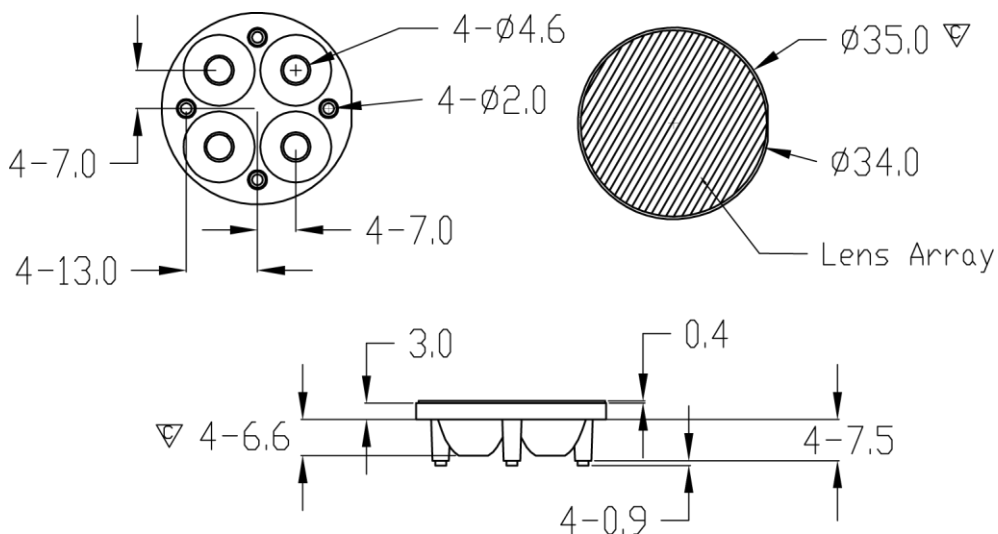


- A. Chun Kuang Optics Corp. Product
- B. Product Type: product abbreviation
Ex:
CH→CoB High Intensity
CC→CoB Compact
CS→Soft Shading for CoB LED
HC→Holder for CoB LED

- C. Identity Code
- D. Lens / Fixture Size
Ex: 075026=Φ75mm / Thickness=26mm (round up)
- C. Serial Numbers

The lens datasheet is applicable for **Lumileds LED**, that manufactured by Chun Kuang Optics Corp.

✓ Dimensions (mm) : Φ35 x 10.9



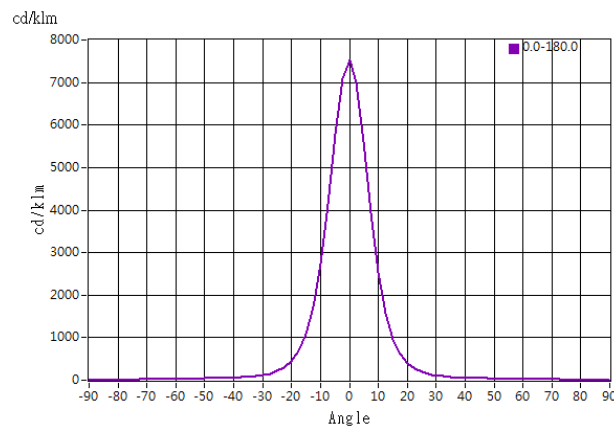
∇:Critical Dimension



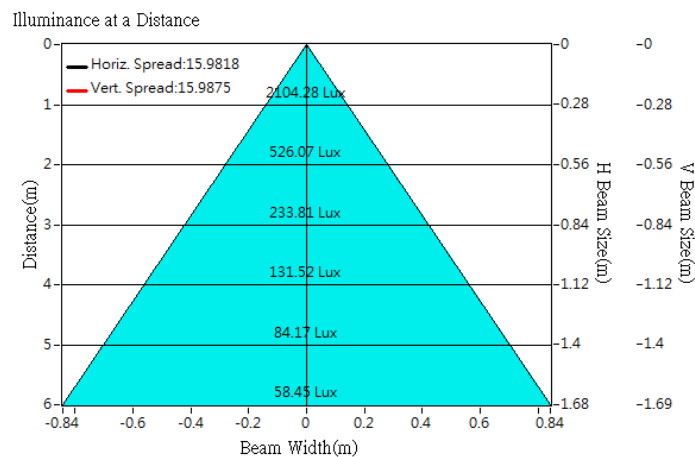
Optical Characteristics

Model Number	CKO-M412-035011-1901	
LED	LUXEON 3030 2D	
LES / LED Size	3 x 3 mm	
FWHM (D50)	15°	
Field Angle (D10)	34°	
Dimension	Φ =35 mm, Thickness=10.9 mm	
Luminous Flux	280 lm	Measured @ 2.9 W
Material	PC / UL94V0	

cd/klm



Illuminance At Distances

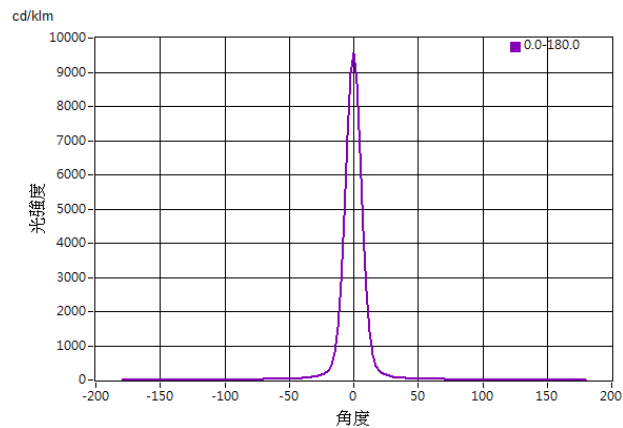




Optical Characteristics

Model Number	CKO-M412-035011-1901	
LED	LUXEON Rebel PLUS	
LES / LED Size	3 x 4.5 mm	
FWHM (D50)	14°	
Field Angle (D10)	29°	
Dimension	Φ =35 mm, Thickness=10.9 mm	
Luminous Flux	348 lm	Measured @ 4 W
Material	PC / UL94V0	

cd/klm



Illuminance At Distances

