

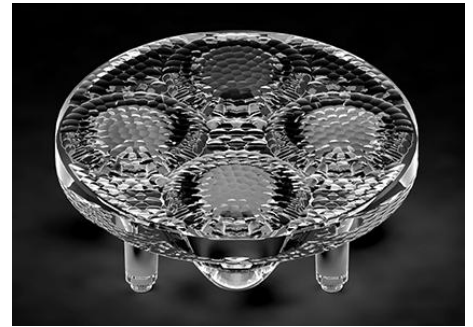


Product Model Number

CKO - M 4 1 2 - 0 3 5 0 1 1 - 2 1 0 1

✓ Model Number Definitions

CKO-XXXX-XXXXXX-XXXX

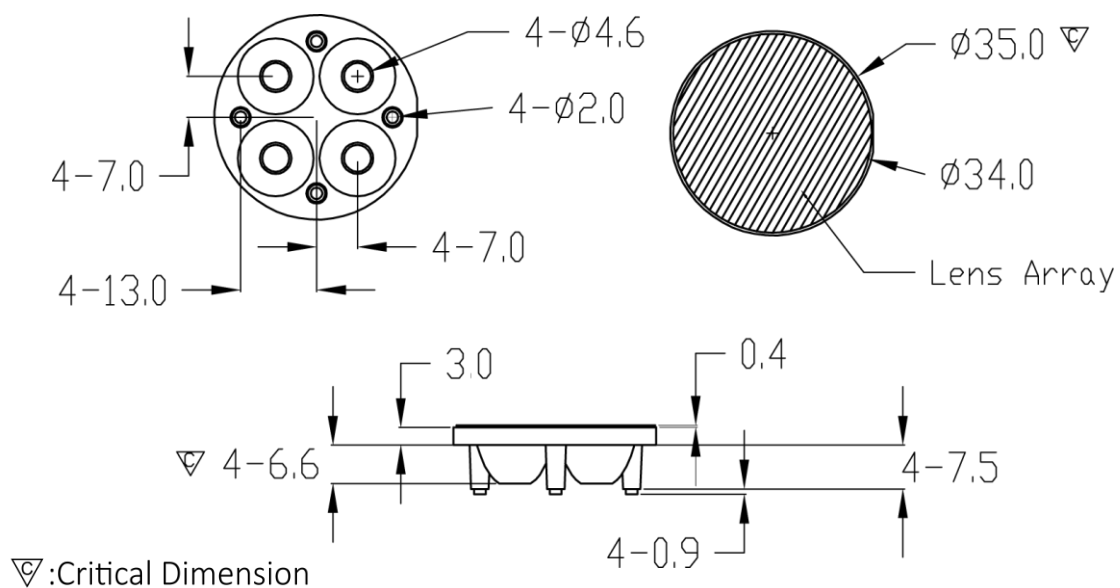


- A. Chun Kuang Optics Corp. Product
- B. Product Type: product abbreviation
Ex:
CH→CoB High Intensity
CC→CoB Compact
CS→Soft Shading for CoB LED
HC→Holder for CoB LED

- C. Identity Code
- D. Lens / Fixture Size
Ex: 075026=Φ75mm / Thickness=26mm (round up)
- C. Serial Numbers

The lens datasheet is applicable for **Osram LED**, that manufactured by Chun Kuang Optics Corp.

✓ Dimensions (mm) : Φ35 x 10.9

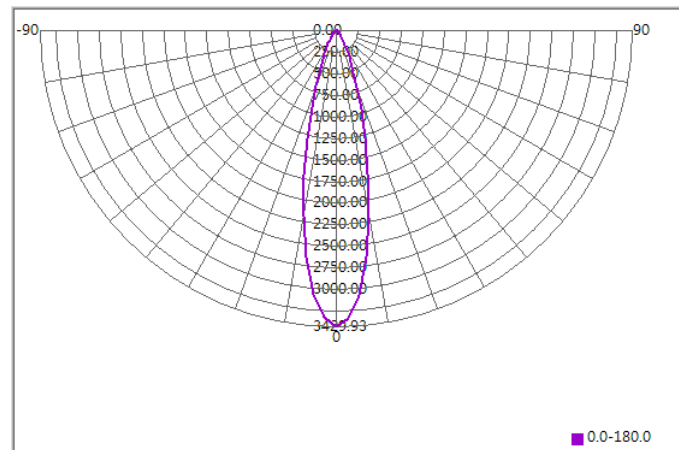




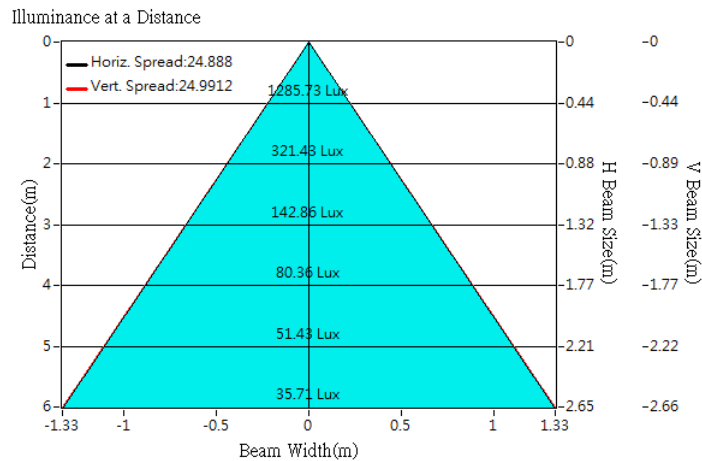
Optical Characteristics

Model Number	CKO-M412-035011-2101	
LED	Duris S5	
LES / LED Size	Φ 3 x 3 mm	
FWHM (D50)	25°	
Field Angle (D10)	53°	
Dimension	Φ =45 mm, Thickness=10.9 mm	
Luminous Flux	374 lm	Measured @ 3.7 W
Material	PC / UL94V0	

cd/klm



Illuminance At Distances

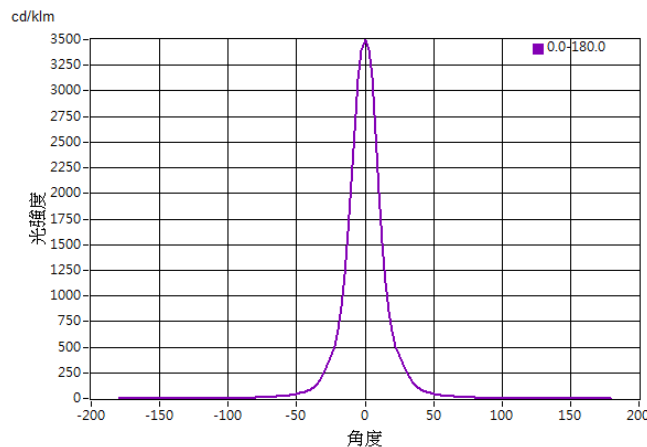




Optical Characteristics

Model Number	CKO-M412-035011-2101	
LED	Oslon SSL 80	
LES / LED Size	Φ 3 x 3 mm	
FWHM (D50)	23°	
Field Angle (D10)	54°	
Dimension	Φ =45 mm, Thickness=10.9 mm	
Luminous Flux	372 lm	Measured @4.0W
Material	PC / UL94V0	

cd/klm



Illuminance At Distances

