

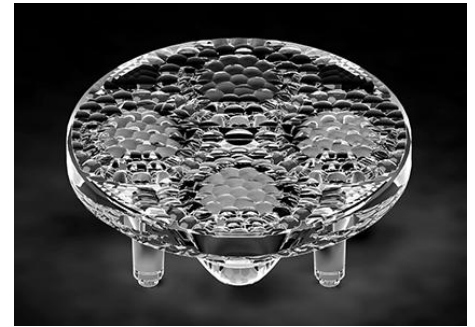


Product Model Number

CKO-M412-035011-2201

✓ Model Number Definitions

CKO-XXXX-XXXXXX-XXXX

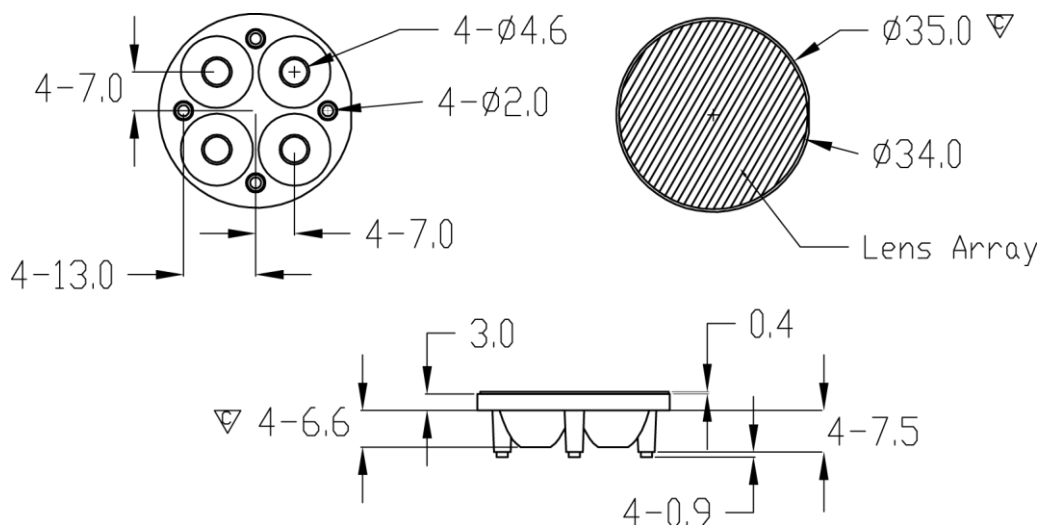


- A. Chun Kuang Optics Corp. Product
- B. Product Type: product abbreviation
Ex:
CH→CoB High Intensity
CC→CoB Compact
CS→Soft Shading for CoB LED
HC→Holder for CoB LED

- C. Identity Code
- D. Lens / Fixture Size
Ex: 075026=Φ75mm / Thickness=26mm (round up)
- E. Serial Numbers

The lens datasheet is applicable for **Lumileds LED**, that manufactured by Chun Kuang Optics Corp.

✓ Dimensions (mm) : Φ35 x 10.9



▽:Critical Dimension



✓ Optical Characteristics – Angle Performances

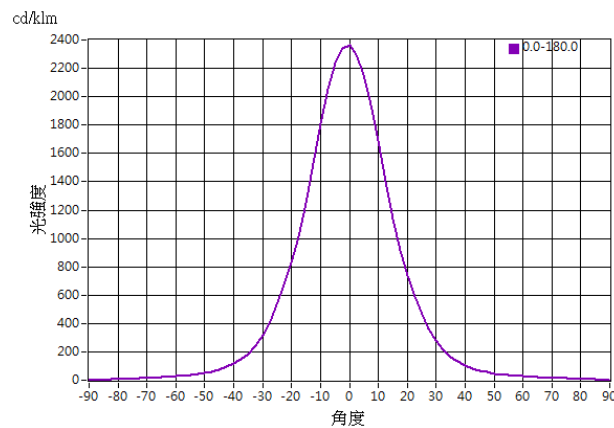
| Lumileds | LED LES (mm) | FWHM (degrees) | Field Angle (degrees) |
|-------------------|---------------------|-----------------------|------------------------------|
| LUXEON 3030 2D | 3.0 x 3.0 | 30° | 65° |
| LUXEON Rebel PLUS | 3.0 x 4.5 | 31° | 65° |
| | | | |
| | | | |
| | | | |
| | | | |
| | | | |
| | | | |
| | | | |
| | | | |
| | | | |
| | | | |
| | | | |
| | | | |
| | | | |
| | | | |
| | | | |
| | | | |
| | | | |
| | | | |
| | | | |
| | | | |
| | | | |



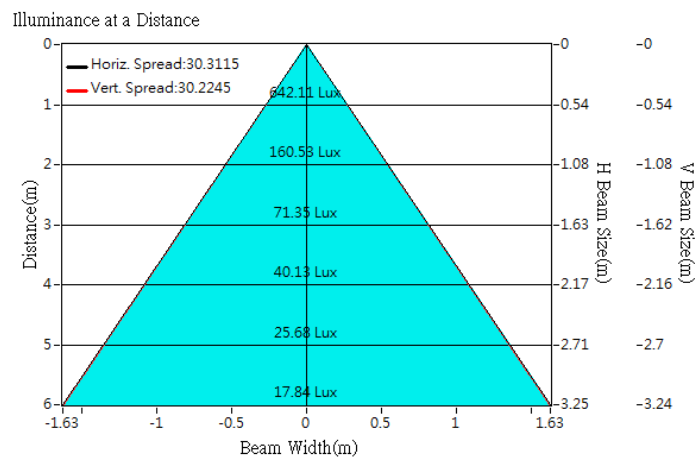
Optical Characteristics

| | | |
|-------------------|-----------------------------|------------------|
| Model Number | CKO-M412-035011-2201 | |
| LED | LUXEON 3030 2D | |
| LES / LED Size | 3 x 3 mm | |
| FWHM (D50) | 30° | |
| Field Angle (D10) | 65° | |
| Dimension | Φ =35 mm, Thickness=10.9 mm | |
| Luminous Flux | 272 lm | Measured @ 2.9 W |
| Material | PC / UL94V0 | |

cd/klm



Illuminance At Distances

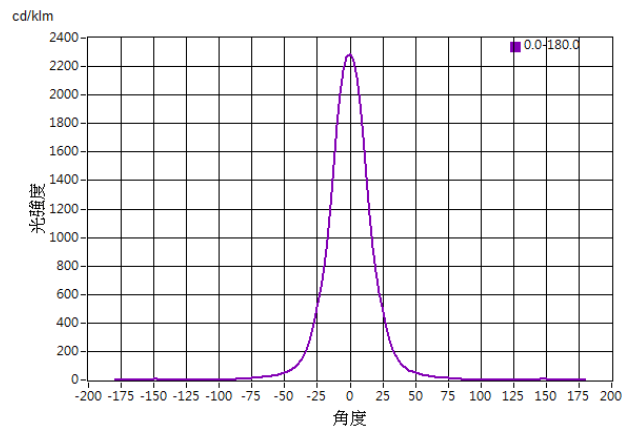




Optical Characteristics

| | | |
|-------------------|-----------------------------|----------------|
| Model Number | CKO-M412-035011-2201 | |
| LED | LUXEON Rebel PLUS | |
| LES / LED Size | 3 x 4.5 mm | |
| FWHM (D50) | 31° | |
| Field Angle (D10) | 65° | |
| Dimension | Φ =35 mm, Thickness=10.9 mm | |
| Luminous Flux | 345 lm | Measured @ 4 W |
| Material | PC / UL94V0 | |

cd/klm



Illuminance At Distances

