



## Product Model Number

CKO - M 5 1 2 - 0 3 9 0 1 1 - 6 9 0 1

### ✓ Model Number Definitions

**CKO-XXXX-XXXXXX-XXXX**

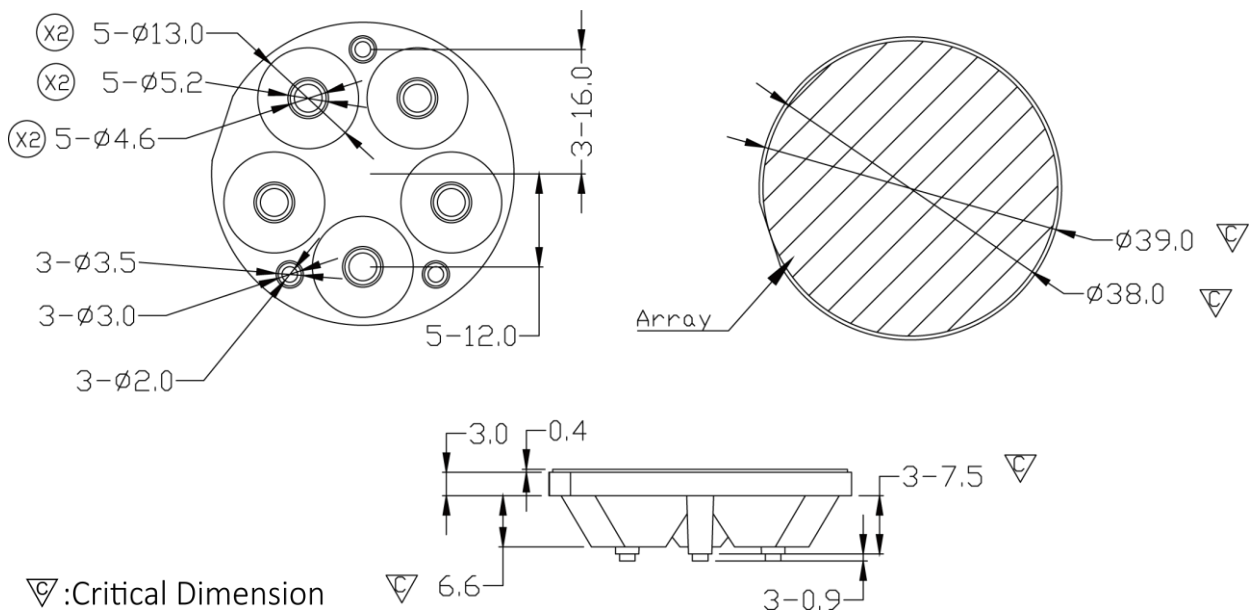


- A. Chun Kuang Optics Corp. Product
- B. Product Type: product abbreviation  
Ex:  
CH→CoB High Intensity  
CC→CoB Compact  
CS→Soft Shading for CoB LED  
HC→Holder for CoB LED

- C. Identity Code
- D. Lens / Fixture Size  
Ex: 075026=Φ75mm / Thickness=26mm (round up)
- E. Serial Numbers

The lens datasheet is applicable for **Lumileds LED**, that manufactured by Chun Kuang Optics Corp.

### ✓ Dimensions (mm) : Φ39 x 10.9





✓ **Optical Characteristics – Angle Performances**

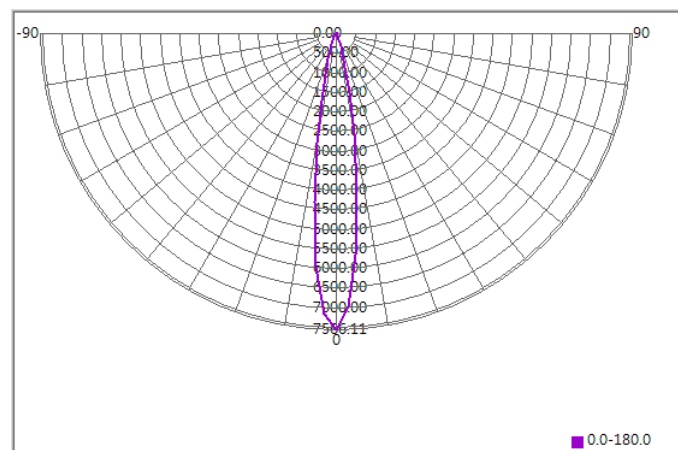
<b>Lumileds</b>	<b>LED LES (mm)</b>	<b>FWHM (degrees)</b>	<b>Field Angle (degrees)</b>
LUXEON 3030 2D	3.0 x 3.0	16°	33°
LUXEON Rebel PLUS	3.0 x 4.5	14°	29°



## Optical Characteristics

Model Number	CKO-M512-039011-6901	
LED	<b>LUXEON 3030 2D</b>	
LES / LED Size	3 x 3 mm	
FWHM (D50)	16°	
Field Angle (D10)	33°	
Dimension	Φ =35 mm, Thickness=10.9 mm	
Luminous Flux	351 lm	Measured @ 3.5 W
Material	PC / UL94V0	

## cd/klm



## Illuminance At Distances

