



Product Model Number

CKO - M 5 1 2 - 0 3 9 0 1 1 - 6 9 0 1

✓ Model Number Definitions

CKO-XXXX-XXXXXX-XXXX

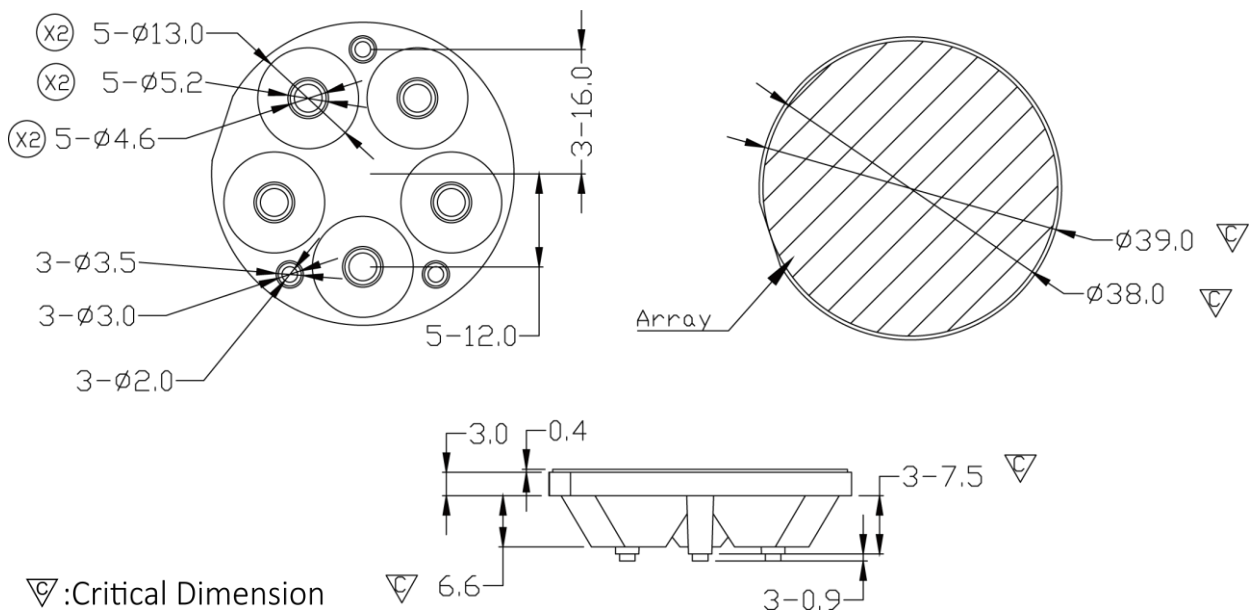


- A. Chun Kuang Optics Corp. Product
- B. Product Type: product abbreviation
Ex:
CH→CoB High Intensity
CC→CoB Compact
CS→Soft Shading for CoB LED
HC→Holder for CoB LED

- C. Identity Code
- D. Lens / Fixture Size
Ex: 075026=Φ75mm / Thickness=26mm (round up)
- C. Serial Numbers

The lens datasheet is applicable for **Osram LED**, that manufactured by Chun Kuang Optics Corp.

✓ Dimensions (mm) : Φ39 x 10.9

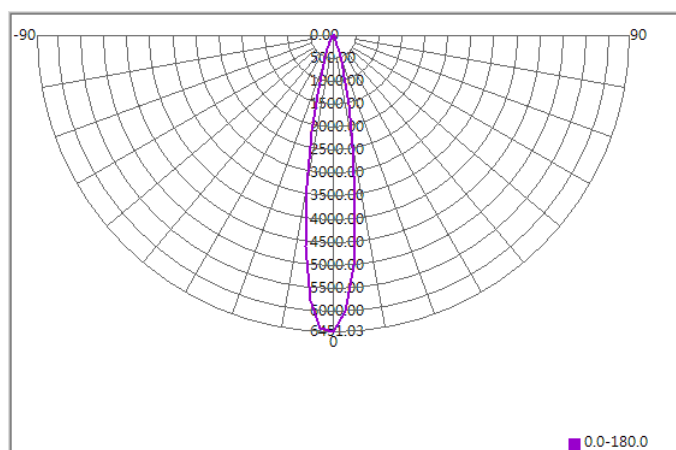




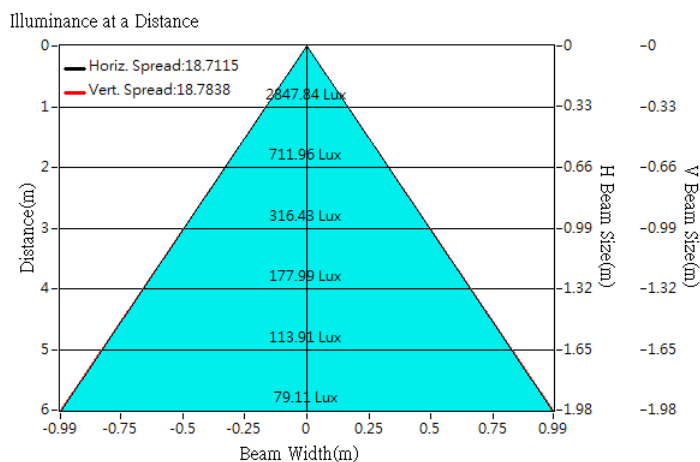
Optical Characteristics

Model Number	CKO-M512-039011-6901	
LED	Duris S5	
LES / LED Size	Φ 3 x 3 mm	
FWHM (D50)	18°	
Field Angle (D10)	36°	
Dimension	Φ =45 mm, Thickness=10.9 mm	
Luminous Flux	441 lm	Measured @ 4.5 W
Material	PC / UL94V0	

cd/klm



Illuminance At Distances

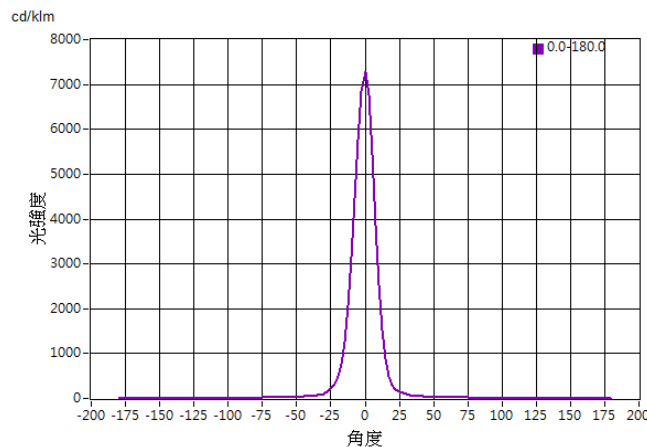




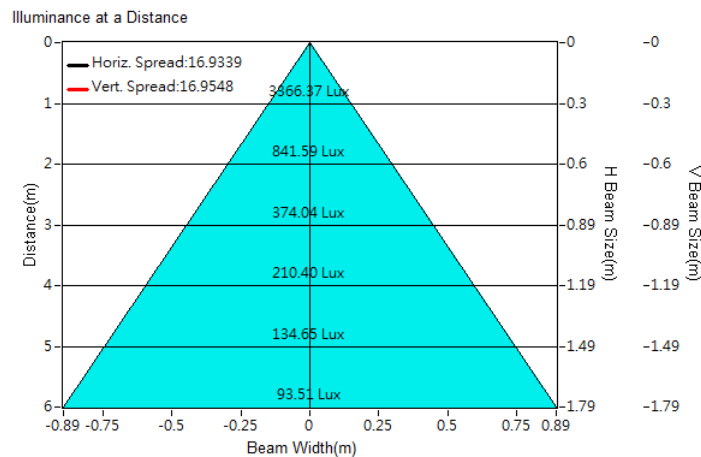
Optical Characteristics

Model Number	CKO-M512-039011-6901	
LED	Oslon Square	
LES / LED Size	Φ 3 x 3 mm	
FWHM (D50)	16°	
Field Angle (D10)	34°	
Dimension	Φ =45 mm, Thickness=10.9 mm	
Luminous Flux	461 lm	Measured @ 4.5 W
Material	PC / UL94V0	

cd/klm



Illuminance At Distances

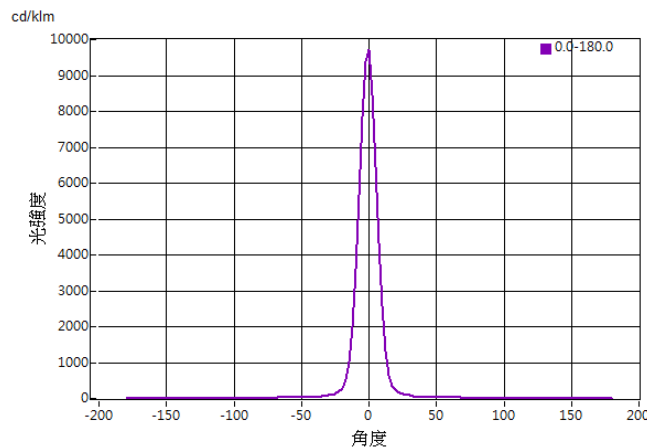




Optical Characteristics

Model Number	CKO-M512-039011-6901	
LED	Oslon SSL 150	
LES / LED Size	Φ 3 x 3 mm	
FWHM (D50)	15°	
Field Angle (D10)	29°	
Dimension	Φ =45 mm, Thickness=10.9 mm	
Luminous Flux	469 lm	Measured @ 5.2 W
Material	PC / UL94V0	

cd/klm



Illuminance At Distances

